

MODEL NAME: LT-025 BED









IMPORTANT

Please inspect all items carefully before assembling.
If for any reason you need to return this item, you must
return it in its original packaging.
Assembled items cannot be returned.



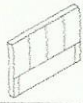
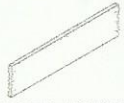







HELPFUL ADVICE PRIOR TO ASSEMBLING THE BED

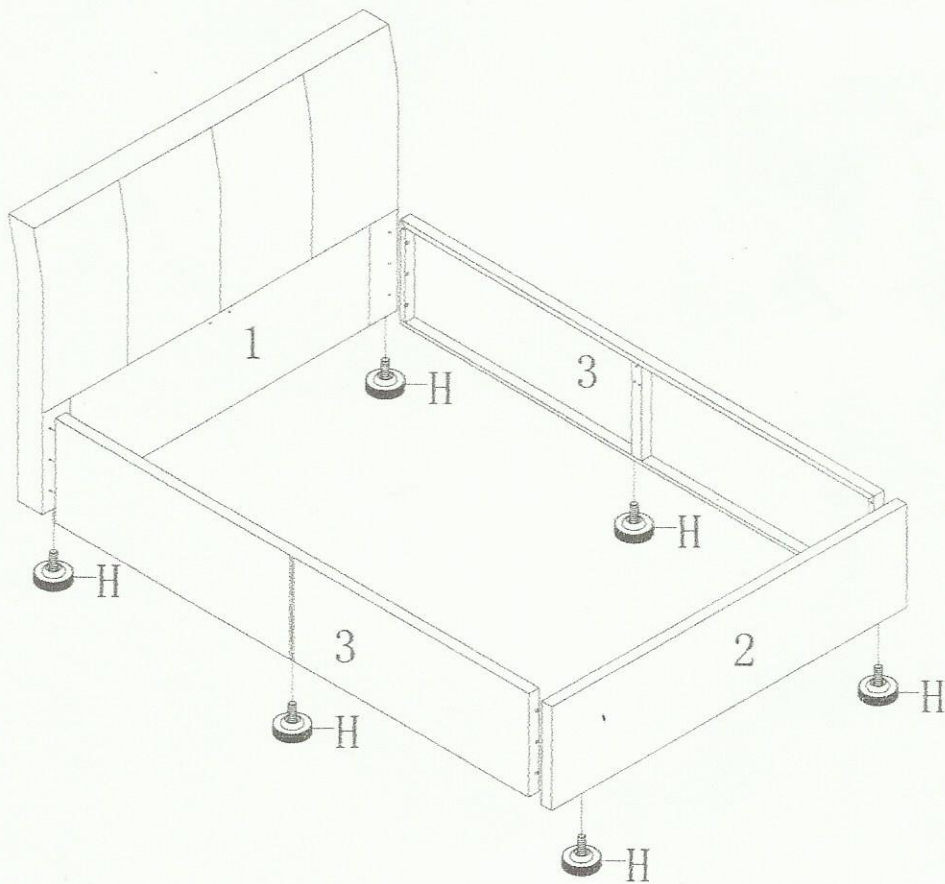
- 1) Owing to the size and weight of the bed, we recommend that it is assembled by two adults, on a flat surface, in the room that it is intended for.
- 2) Please do not use any tools other than those provided or recommended in these instructions.
- 3) Please do not discard any packaging until you have checked that you have all the parts and fittings. keep all fittings out of reach of children
- 4) Assemble all parts loosely until advised to tighten. Depending on use, it maybe necessary to tighten from time to time, so please save your allen key and spanner that has been provided.

A 12PCS-BOLT M8*40mm 	B 6PCS-BOLT M6*40mm 	C 8PCS-BOLT M6*20mm 	D 18PCS-FLAT WASHER 
E 12PCS-SPRING WASHER 	F 1PCS-ALLEN KEY 5mm 	G 1PCS-ALLEN KEY 4mm 	H 6PCS-ADJUSTER LEG 

Hazard Warning!

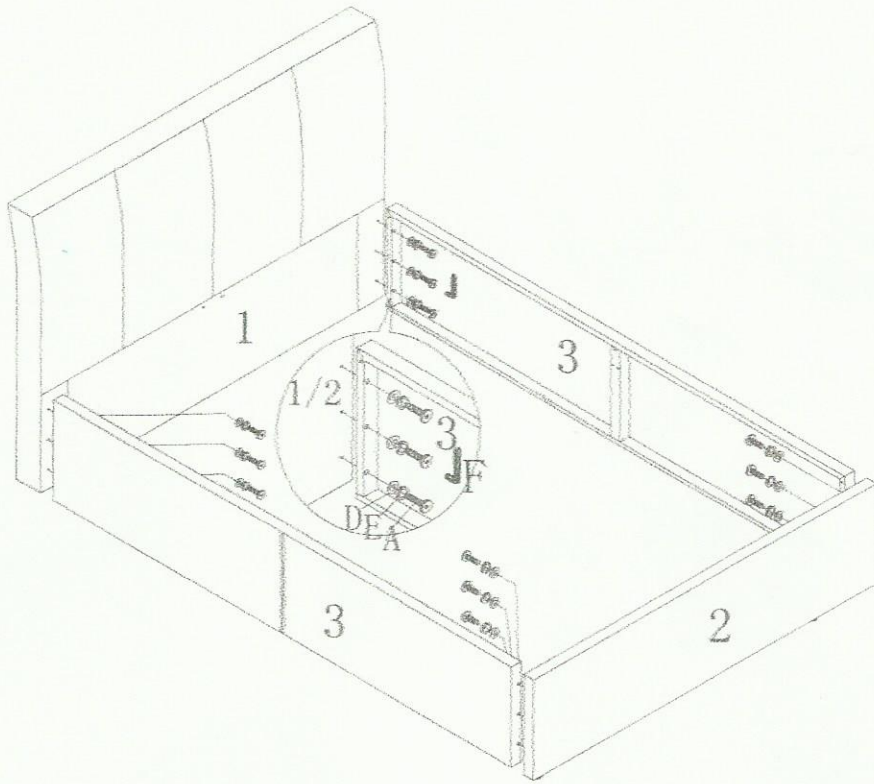
Keep small components out of the reach of children

1 1PCS-HEADBOARD 	2 1PCS-FOOTBOARD 	3 2PCS-SIDE RAIL 	4 1PCS-CROSS RAIL 
5 1PCS-CENTRE SUPPORT RAIL 	6 2PCS-SIDE SUPPORT RAIL 	7 26PCS-Bent 	8 13PCS-PLASTIC SLAT CAP 
9 26PCS-SIDE SLAT CAPS 			



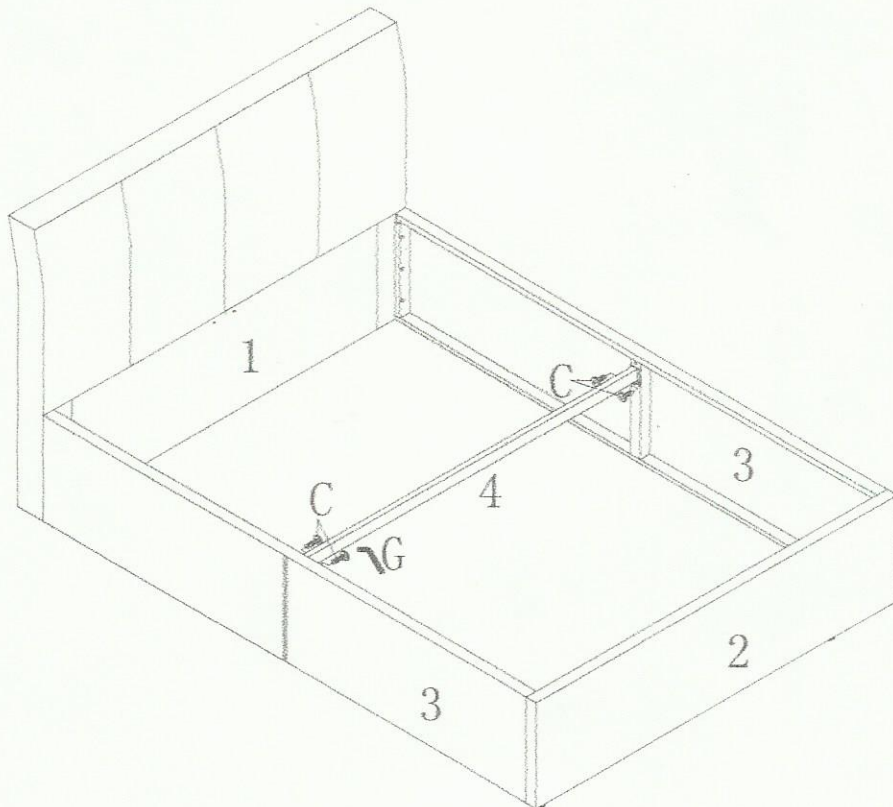
1 Attach the adjuster legs (H) to the side rails (3), headboard (1) and footboard (2) as shown.

2



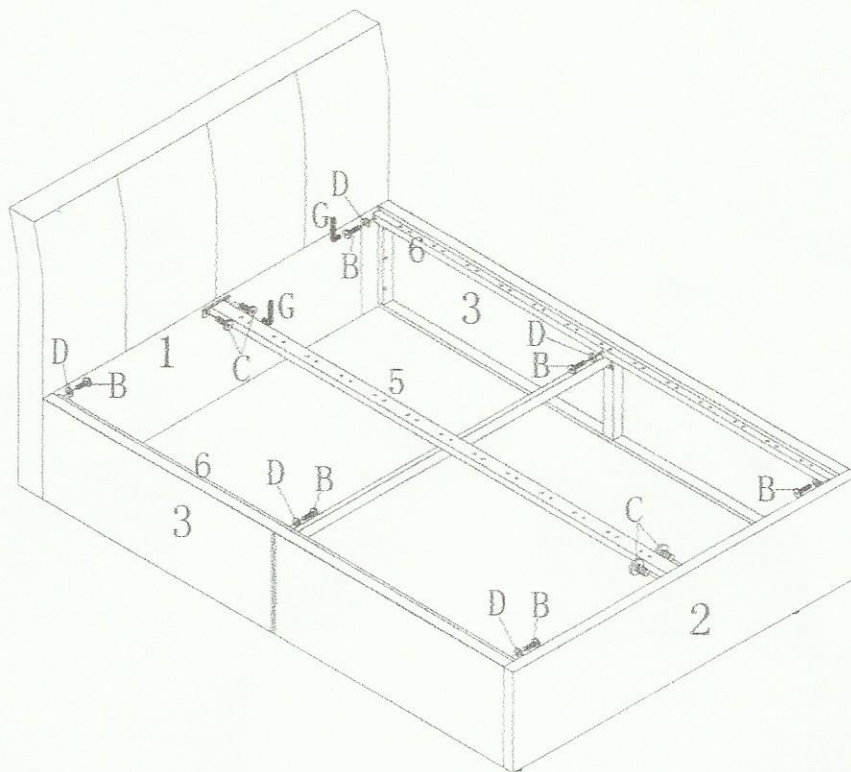
2

Assemble the side rail (3) to headboard (1) and footboard (2) using bolts (A), spring washer (E) and flat washer (D) as shown. Tighten the bolts using allen key (F).



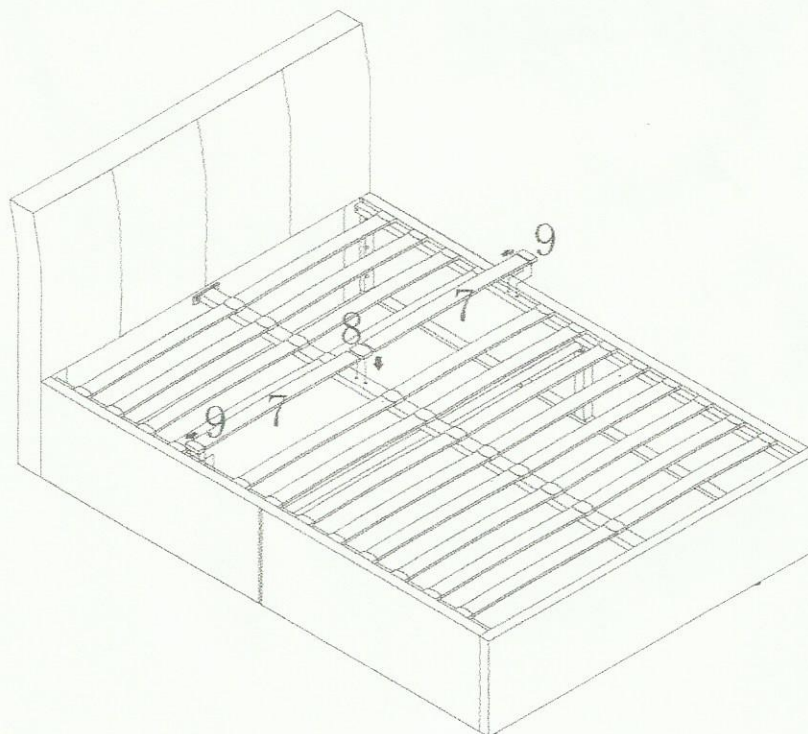
3

Assemble the cross rail (4) to side rails (3) using bolts (C) as shown. Tighten the bolts using allen key (G).



4

- A: Attach centre support rails (5) to headboard (1) and footboard (2), using bolts (C) as shown. Tighten the bolts using allen key (G).
 B: Attach side support rails (6) to side rails (3), using bolts (B), spring flat washer (D) as shown. Tighten the bolts using allen key (G).



5

- Attach bent slats (7) with side rails slat cap (9) then slot in side support rails (6) as shown. Attach bent slat (7) with centre plastic slat cap (8) to centre support rails (5) as shown.