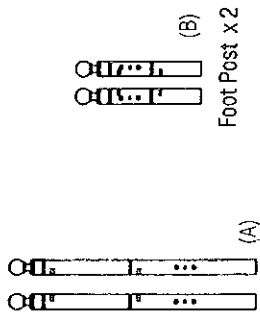
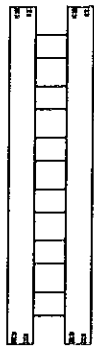
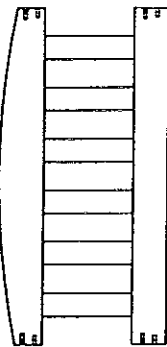


Assembly Instructions Florence Single Bed

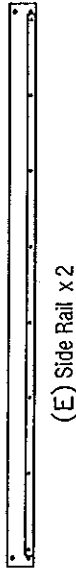
Part in Box 1



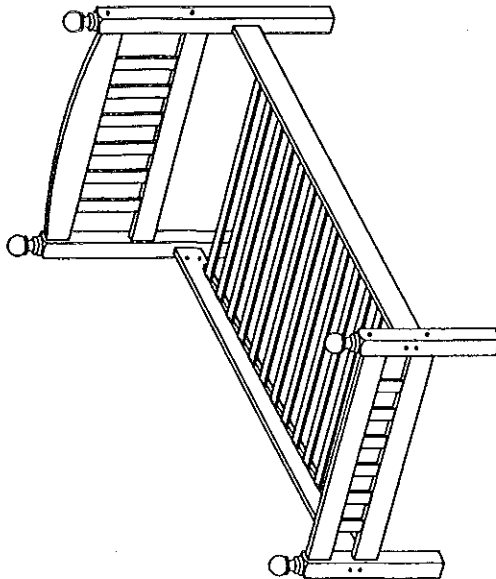
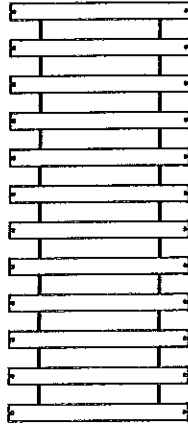
Part in Box 2



Part in Box 3



Part in Box 4



Hardware List

1.	JCBC M6 x 70mm		x 8
2.	JCBC M6 x 90mm		x 8
3.	M6 x 15mm Barrel Nut		x 8
4.	Wood Dowel M10 x 40mm		x 12
5.	M4 Allen Key		x 1
6.	CSK M4 x 25mm		x 24

Tool required for assembly :

- * Allen Key (supplied)
- * Phillips Screwdriver (not supplied)

ASSEMBLY TIPS

Remove hardware from box and sort by size to check that all hardware and parts are present before assembling. Follow instructions below in the proper sequence to ensure fast, easy and correct assembly.

WARNING !!



DO NOT FULLY TIGHTEN ALL BOLTS UNTIL ALL PARTS ARE IN PLACE. FAILURE TO FOLLOW THIS INSTRUCTION MAY CAUSE THE BOLTS TO BE MISALIGNED DURING THE ASSEMBLY.

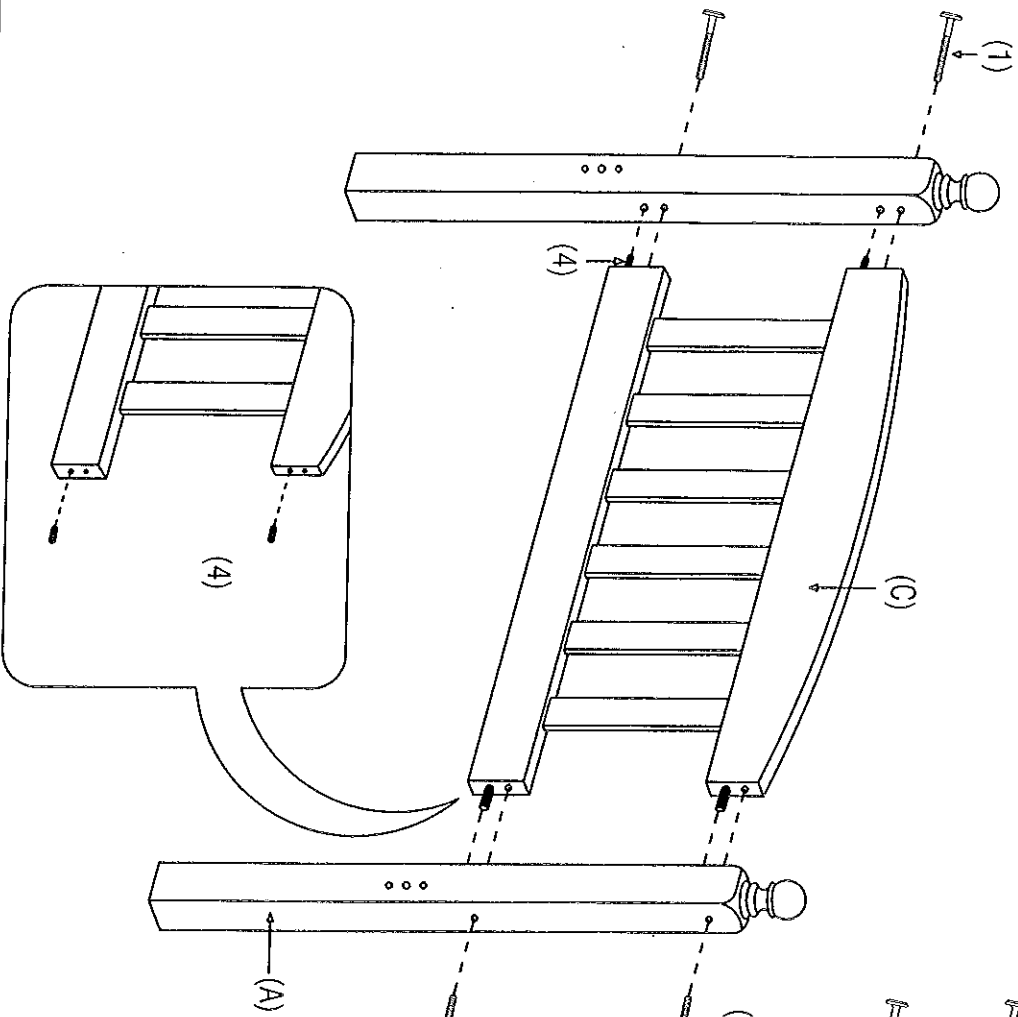
NOTE : DURING ASSEMBLY , DO NOT TIGHTEN ANY SCREWS UNTIL THE COMPLETE UNIT HAS BEEN ASSEMBLED.

Thank you for purchasing this quality product. Be sure to check all packed material carefully for small parts which may have come loose inside the carton during shipment. Place all parts on a clean , smooth surface such as a rug or carpet to avoid scratching the parts. Be sure you have all the parts and hardware before you begin assembly.



Assembly Instructions Florence Single Bed

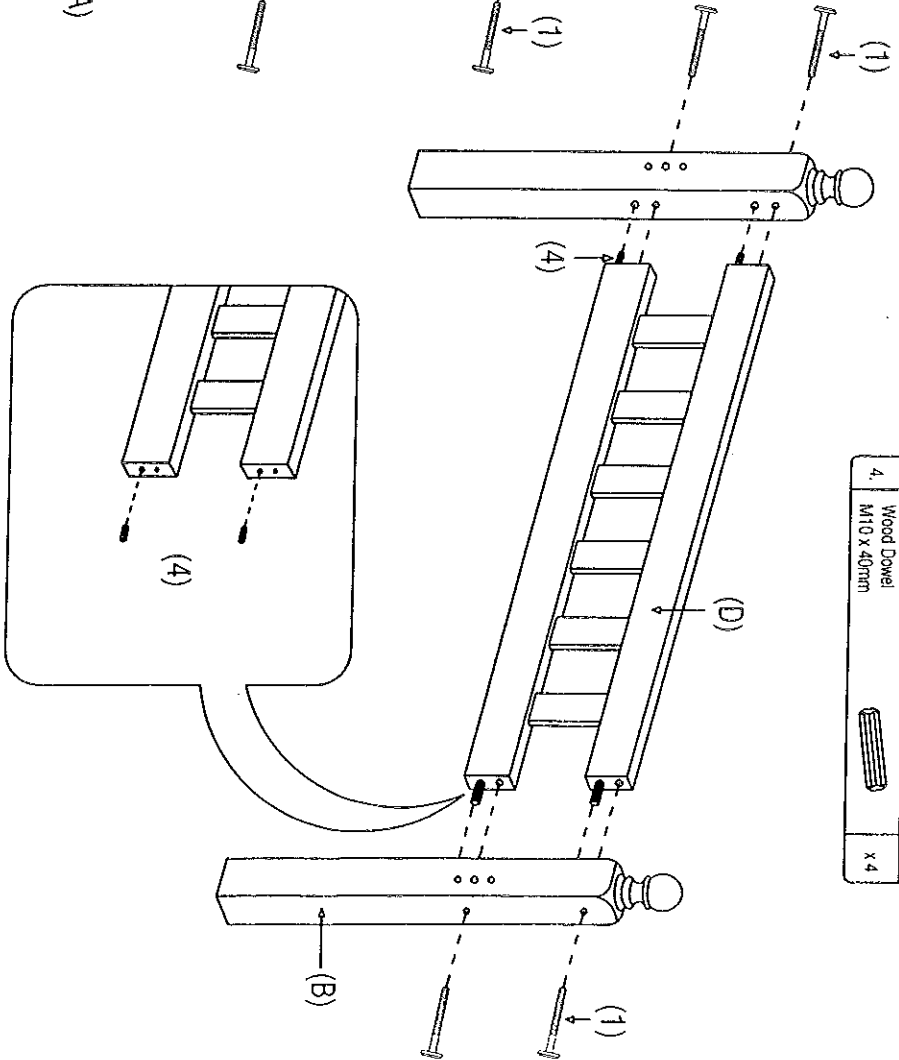
1 Assemble the Head Post (A) to the Panels (C).

1.	JCBC M6 x 70mm		x 4
4.	Wood Dowel M10 x 40mm		x 4



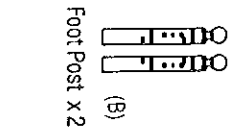
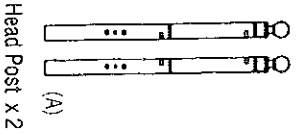
2 Assemble the Foot Post (B) to the Panels (D).

1.	JCBC M6 x 70mm		x 4
4.	Wood Dowel M10 x 40mm		x 4

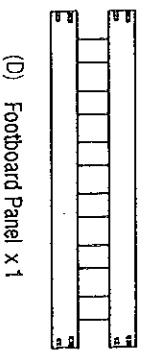
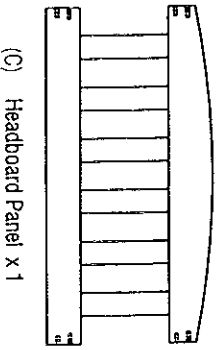


Assembly Instructions Florence Single Bed

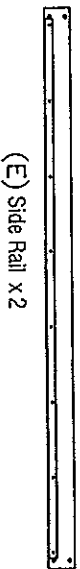
Part in Box 1



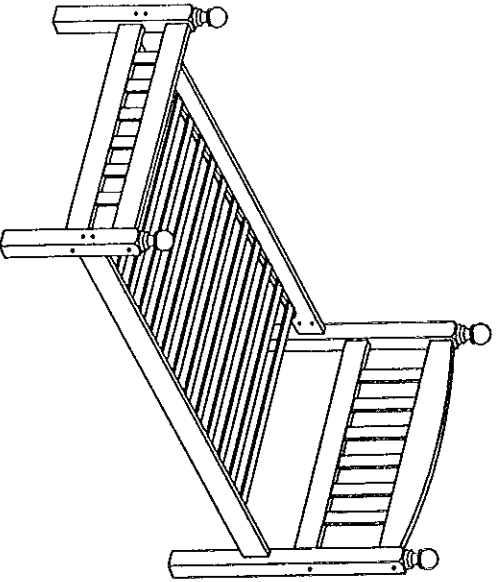
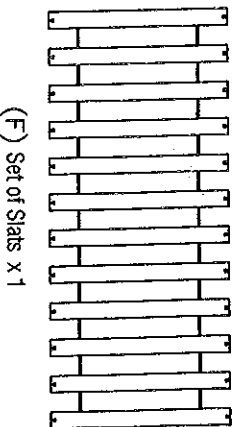
Part in Box 2



Part in Box 3



Part in Box 4



ASSEMBLY TIPS

Remove hardware from box and sort by size to check that all hardware and parts are present before assembling. Follow instructions below in the proper sequence to ensure fast, easy and correct assembly.

WARNING !!

DO NOT FULLY TIGHTEN ALL BOLTS UNTIL ALL PARTS ARE IN PLACE. FAILURE TO FOLLOW THIS INSTRUCTION MAY CAUSE THE BOLTS TO BE MISALIGNED DURING THE ASSEMBLY.

NOTE : DURING ASSEMBLY , DO NOT TIGHTEN ANY SCREWS UNTIL THE COMPLETE UNIT HAS BEEN ASSEMBLED.

Hardware List

1.	JCBC M6 x 70mm		x 8
2.	JCBC M6 x 90mm		x 8
3.	M6 x 15mm Barrel Nut		x 8
4.	Wood Dowel M10 x 40mm		x 12
5.	M4 Allen Key		x 1
6.	CSK M4 x 25mm		x 24

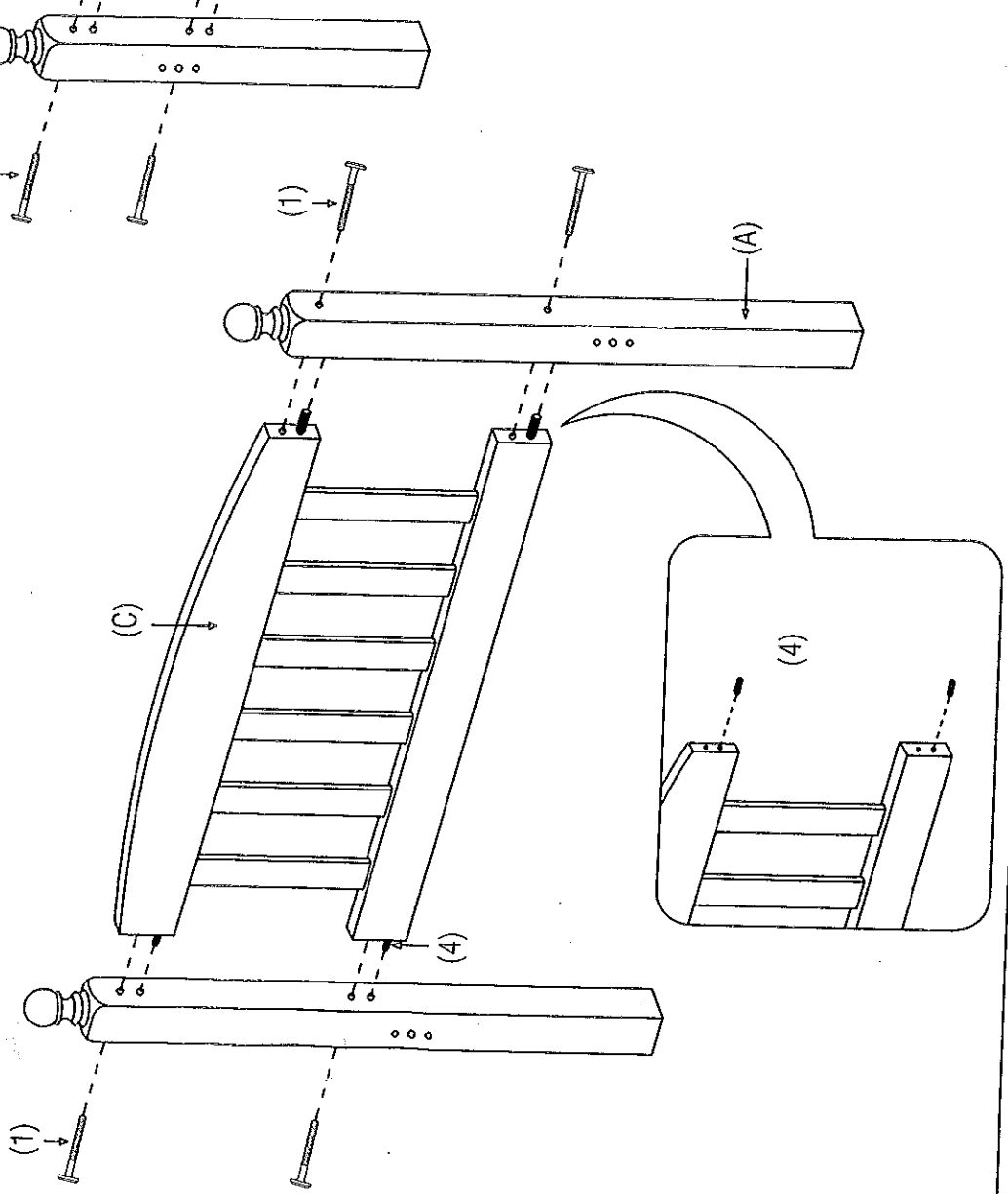
Tool required for assembly :
* Allen Key (supplied)
* Phillips Screwdriver
(not supplied)

Thank you for purchasing this quality product. Be sure to check all packed material carefully for small parts which may have come loose inside the carton during shipment. Place all parts on a clean , smooth surface such as a rug or carpet to avoid scratching the parts. Be sure you have all the parts and hardware before you begin assembly.

Assembly Instructions Florence Single Bed

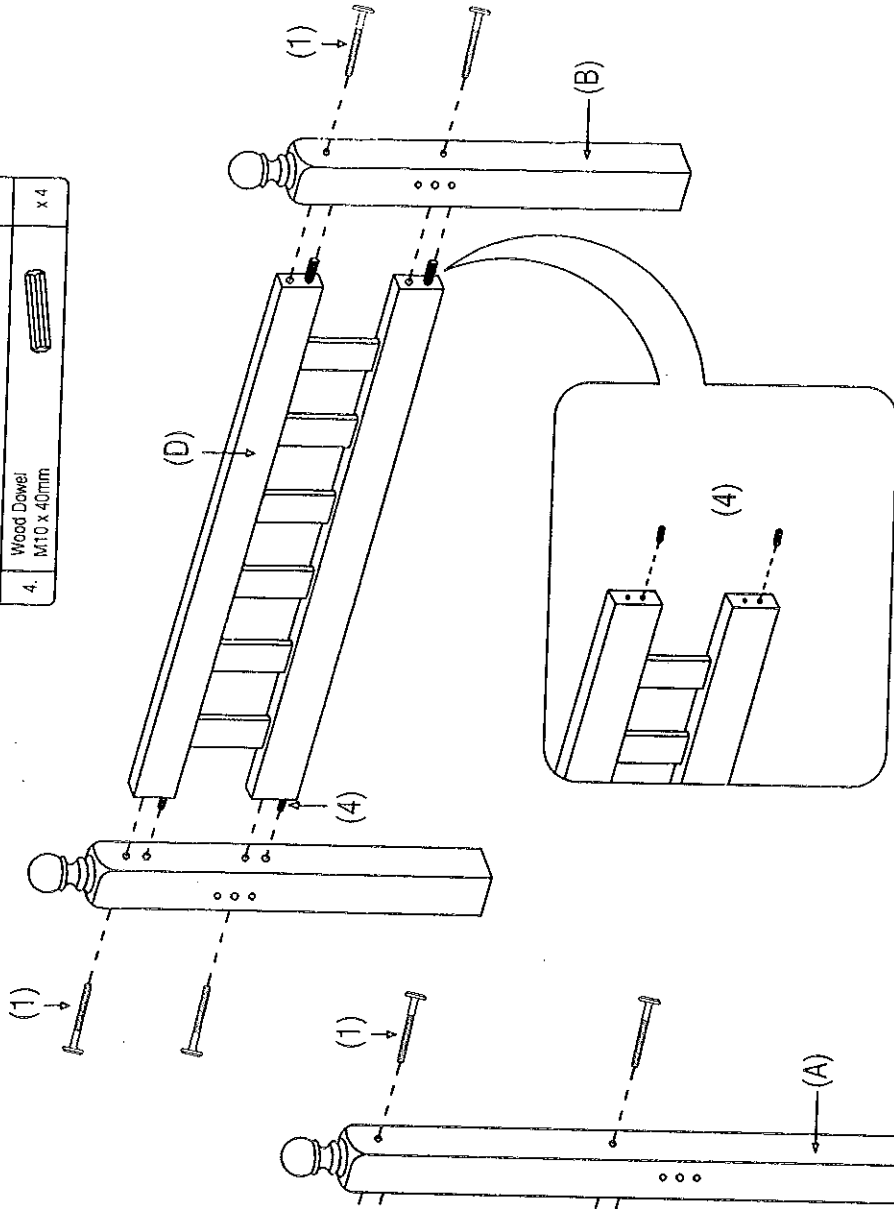
1 Assemble the Head Post (A) to the Panels (C).

JCBC		
1.	M6 x 70mm	x 4
4.	Wood Dowel M10 x 40mm	x 4



2 Assemble the Foot Post (B) to the Panels (D).




JCBC		
1.	M6 x 70mm	x 4
4.	Wood Dowel M10 x 40mm	x 4

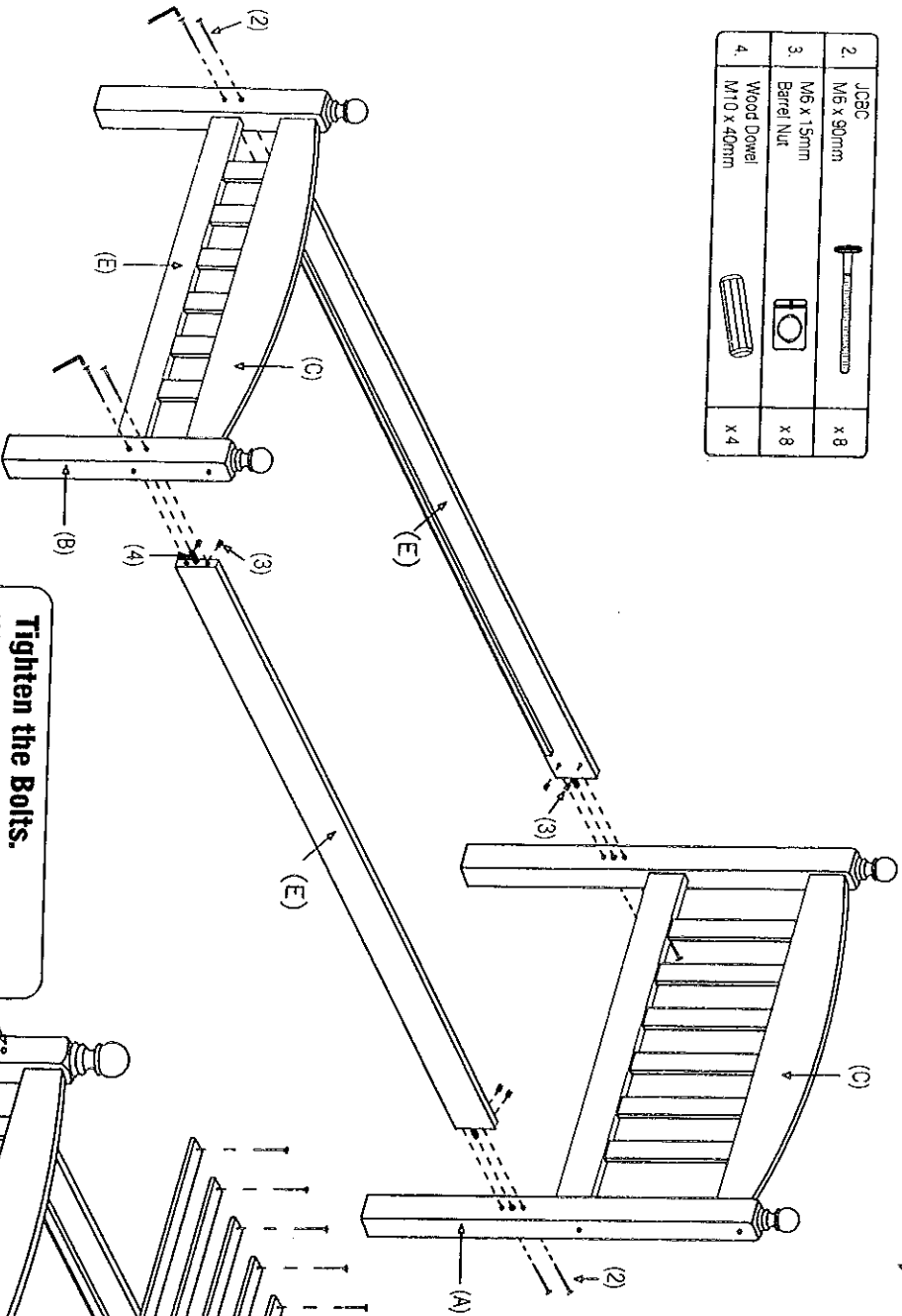


Assembly Instructions Florence Single Bed

3

Assemble the Side Rails (E) to the Headboard/Footboard.

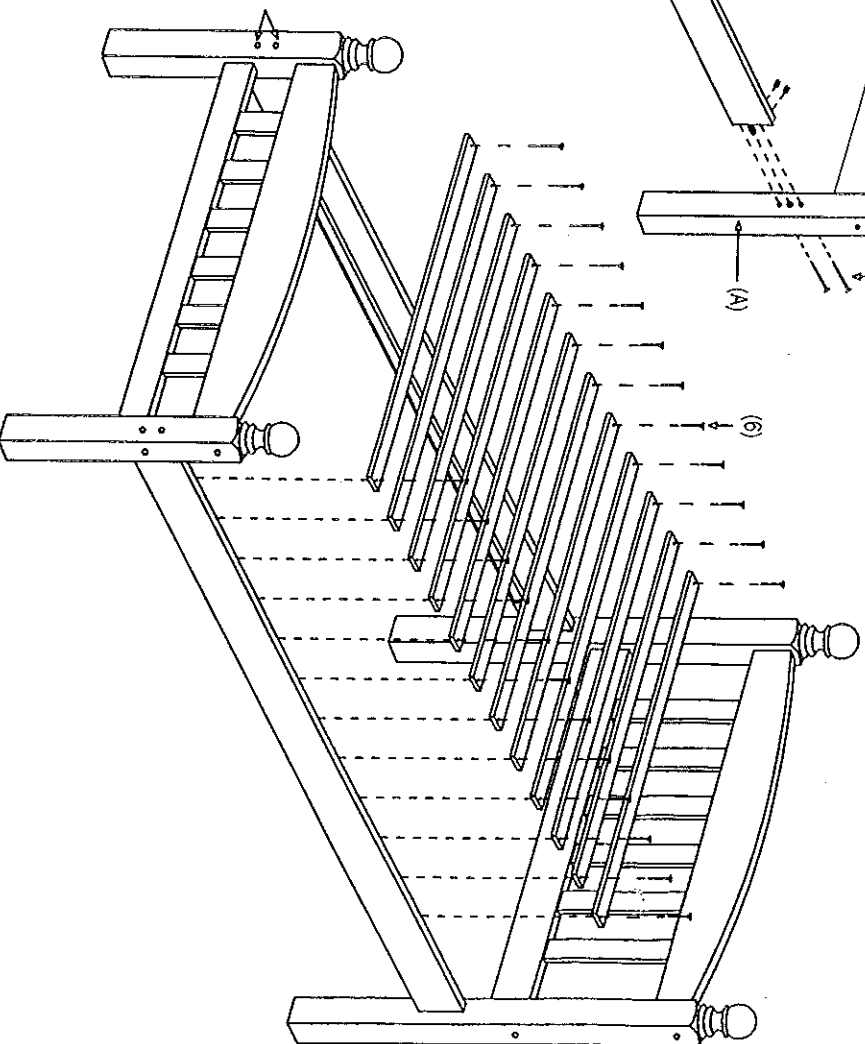
2.	JCBG M6 x 90mm		x 8
3.	M6 x 15mm Barrel Nut		x 8
4.	Wood Dowel M10 x 40mm		x 4



4

Fit the Bed Slats (F) in the place.

6.	CSK Screw M4 x 25mm		x 24
----	------------------------	---	------



Tighten the Bolts.
When everything is put together
tighten all the Bolts.

