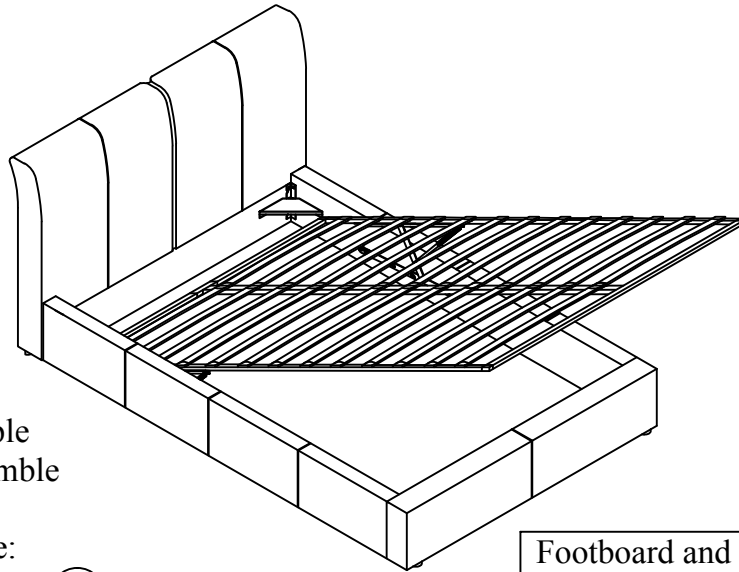


ASSEMBLY INSTRUCTIONS

TEXAS OTTOMAN BED

PLEASE NOTE – THE FABRIC BASE AND HANDLE ARE LOCATED AT THE TOP OF THE HEAD END.



Minimum No. of people recommended to assemble this product: 2
Approx assembly time:

1 1/2 hours

Footboard and some other parts are in the rear headboard.

HELPFUL ADVICE PRIOR TO ASSEMBLING THE BED

- 1)Owing to the size and weight of the bed, we recommend that items are assembled on a flat surface and near to the area in which they will be placed in use.
- 2)Please do not use any tools other than those provided or recommended in these instructions.
- 3)Please do not discard any packaging or the instructions book until you have checked that you have all the parts and fittings and the furniture is fully assembled. Keep all fittings out of reach of children.
- 4)Assemble all parts loosely until advised to tighten. Please take care not to over-tighten any fittings,as this may damage the product.
- 5)Depending on use, it maybe necessary to tighten the fittings from time to time, so please save your allen key and spanner that has been provided.

WARNINGS

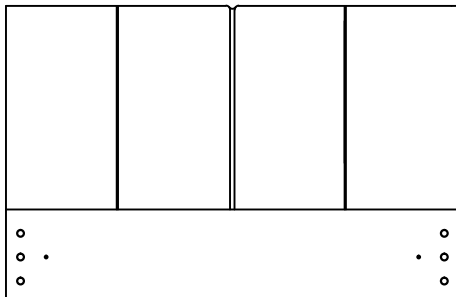
- 1)Please ensure children do not play in the storage area or try to lift up the metal frame.
- 2)Once assembled, put mattress on frame before pushing it down and only lift up or push down the metal frame with mattress on top.
- 3)Please do not stand on the storage base at any time.

How to use Bed

When the bed is fully assembled, lift the frame up using strap provided to close the frame. You will need to place both hands on the metal bar at the frame that is in the air (one hand in the centre of each of two rows of slats). The bed will only work if this done centrally, apply pressure to the close the bed, do not try to close from the side or any other way. Please also note the gas lift arms do not move up and down on their own and only work if the bed is fully assembled and assembled correctly.

Do not throw away any of the packing or the instruction book until you have checked all the components and fittings and the furniture is fully assembled.

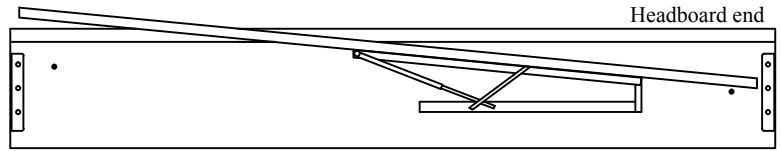
Components



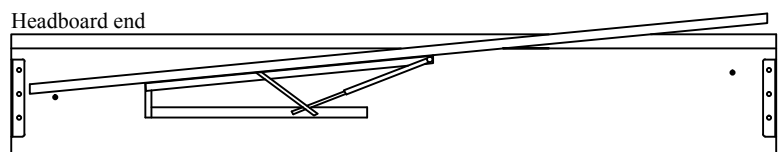
Headboard **1**



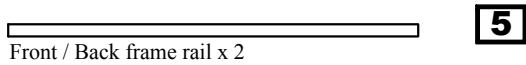
Footboard **2**



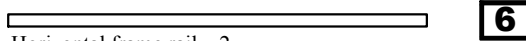
Left side rail **3**



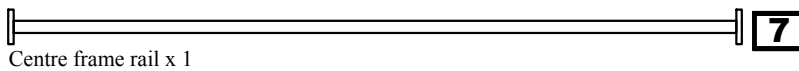
Right side rail **4**



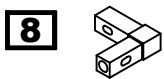
Front / Back frame rail x 2 **5**



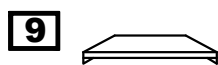
Horizontal frame rail x 2 **6**



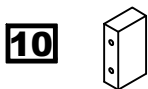
Centre frame rail x 1 **7**



8 Plastic bracket sets x 4



9 Corner brackets x 4



10 Holding blocks x 1



11 Plastic legs x 4



12 Belt x 1



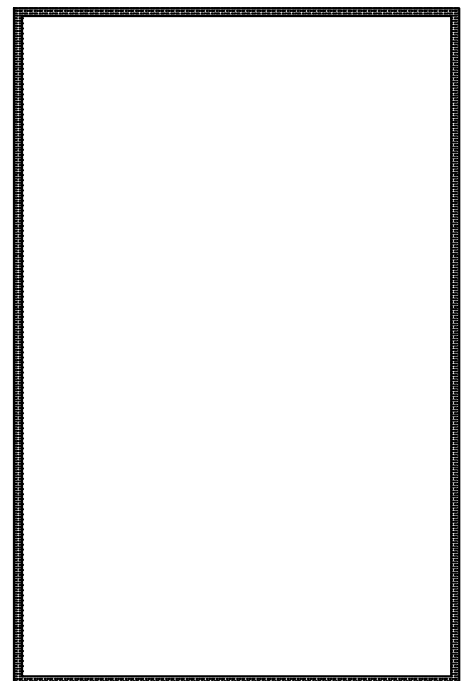
13 Bent slats
x 26 (single & double)
x 30 (king)



14 Side slat caps
x 26 (single & double)
x 30 (king)

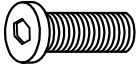
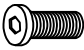







15 Centre slat caps
x 13 (single & double)
x 15 (king)



16 Woven fabric x 1

Components - Fittings

<p>A  25mm M8 Bolt x12</p>	<p>B  15mm M6 Bolt x 12</p>	<p>C  Flange nut x 2</p>
<p>D  40mm M6 Bolt x 4</p>	<p>E  65mm M6 Bolt x 2</p>	
<p>F  Spring washer x 12</p>	<p>G  Flat washer x 12</p>	

Tools required (supplied)



5mm Allen key x 1



4mm Allen key x 1

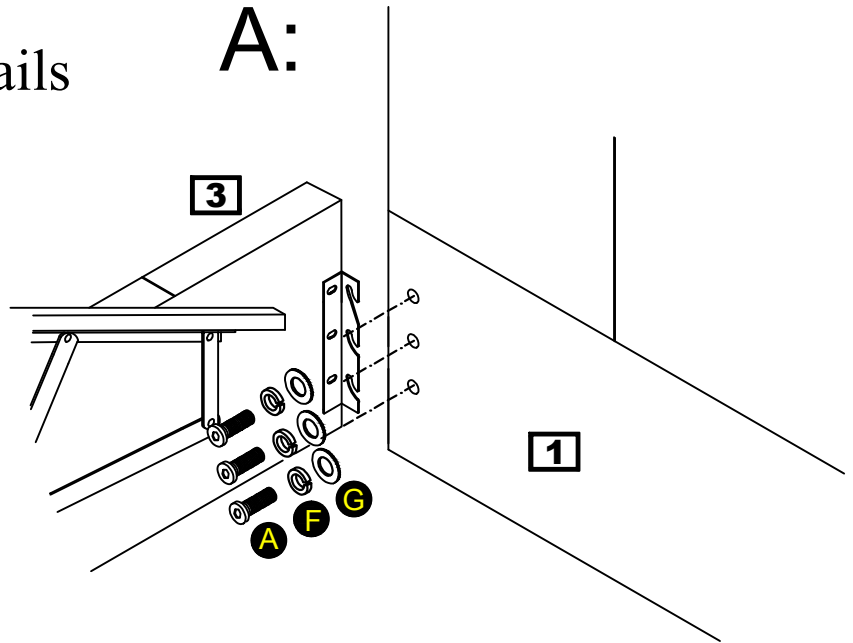


Spanner x 1

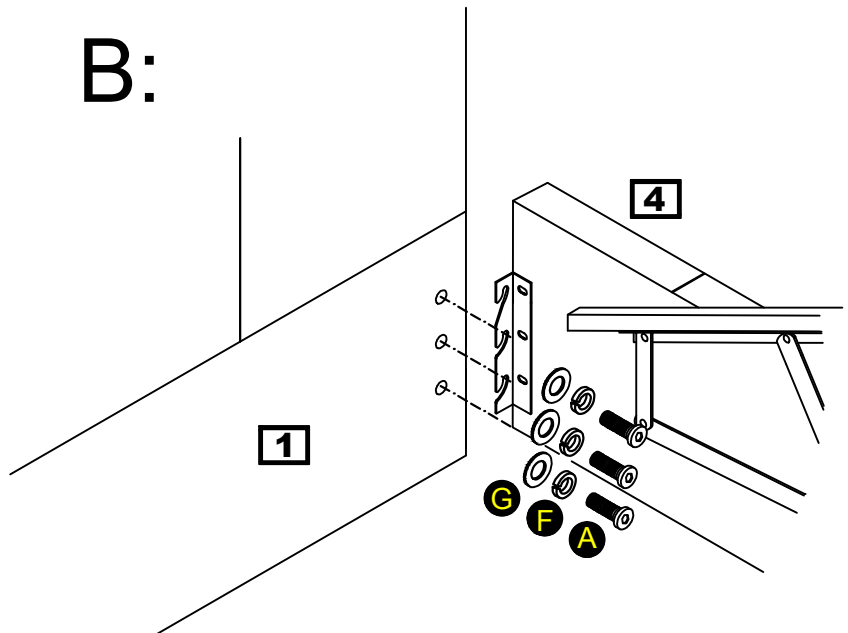
Assembly Instructions

Step 1: Attaching side rails

A: Position left side rail(3) adjacent to headboard(1) so that the holes in the headboard line up with the bracket on the side rail. Secure in place using 3 bolts(A), spring washers(F) and flat washers(G) using the allen key provided.



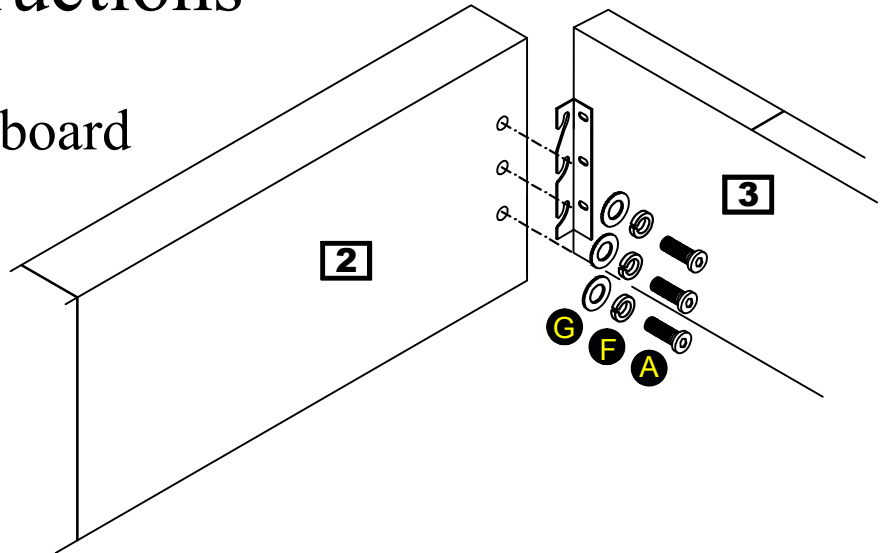
B: Repeat point a for right side rail(4).



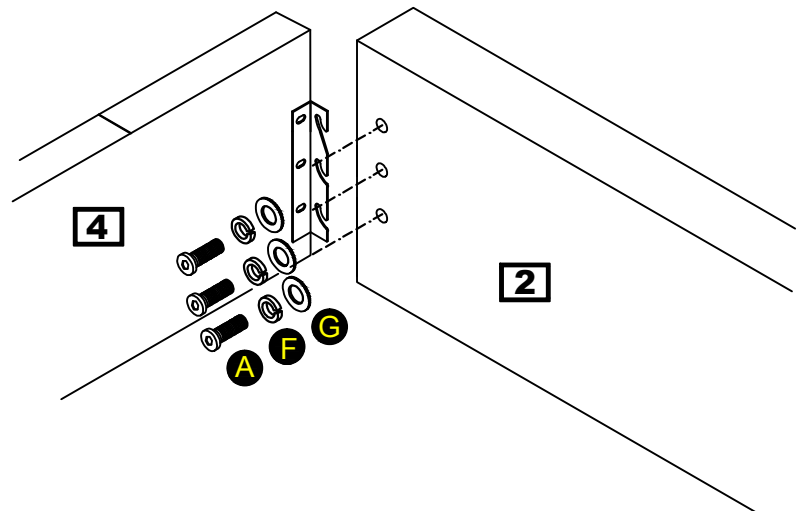
Assembly Instructions

Step 2: Attaching footboard

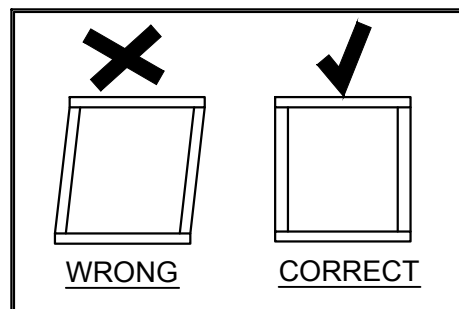
Place footboard (2) in position at the end of the side rails (3) & (1) so the holes in the footboard line up with the brackets on the side rail.



Secure in place using 3 bolts (A), spring washers (F) and flat washers (G) using the allen key provided.



Before tightening the bolts, please ensure the bed frame is square.

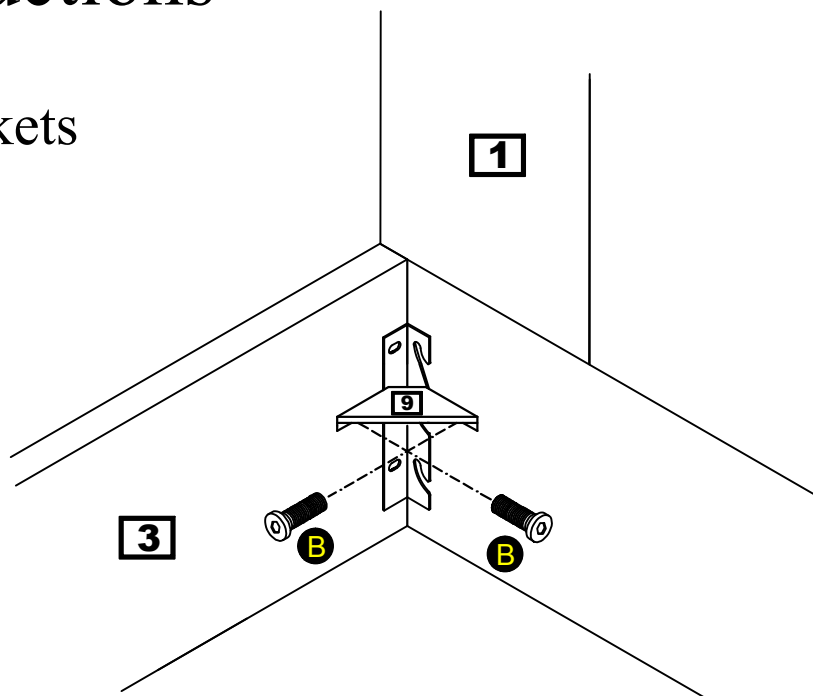


Assembly Instructions

Step3:Fix corner brackets

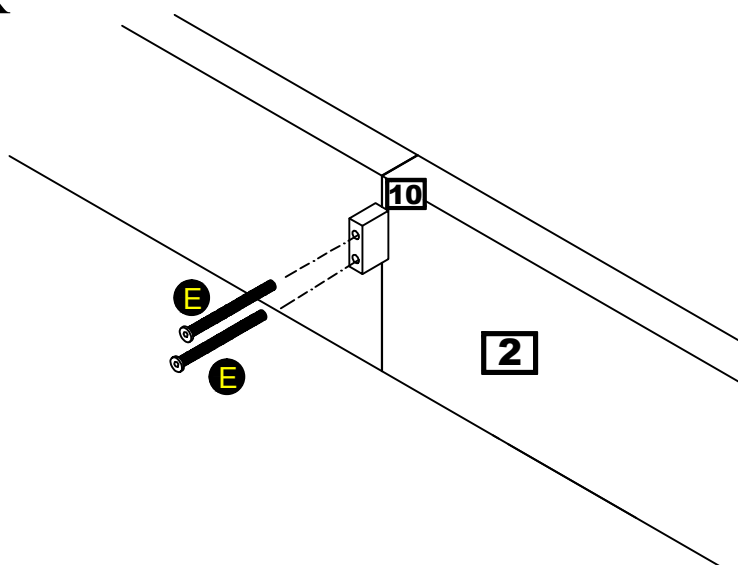
Fix corner bracket(9) in position between the left side rail(3) and headboard (1) using bolt(B).

Repeat for other 3 corner brackets in each corner of the bed frame.



Step4:Fix holding block

Fix holding block (10) onto footboard (2) using bolt (E) and tighten using allen key.

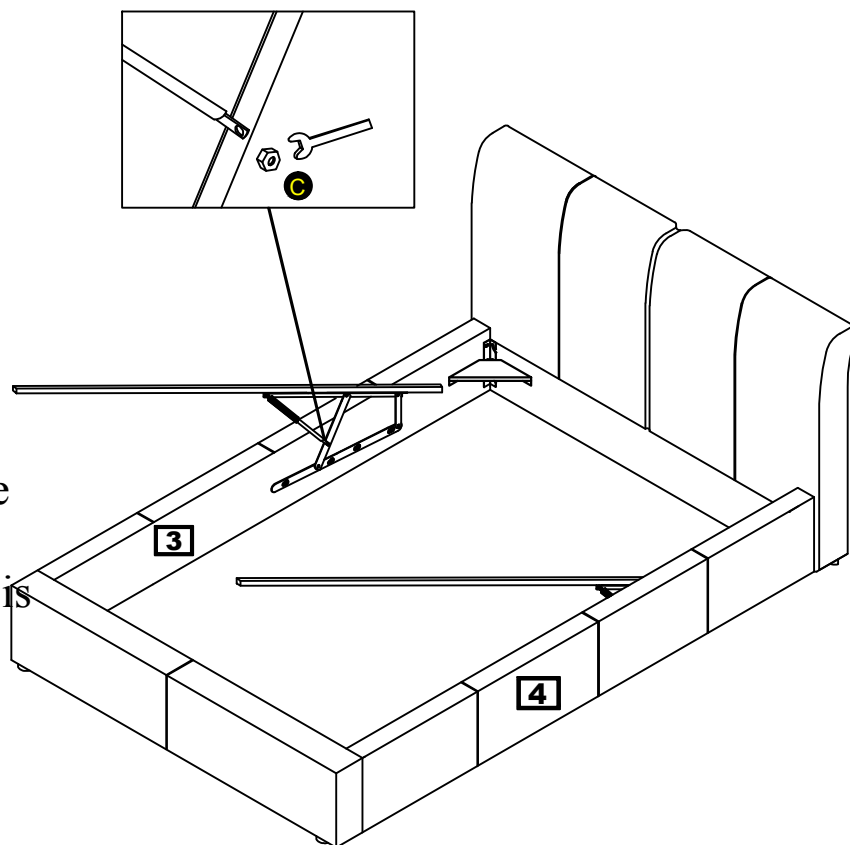


Assembly Instructions

Step 5: Secure pneumatic arms

Before connecting the pneumatic arms, ensure the lifting mechanism is functioning correctly - it should lift up and down freely with adequate clearance on all sides.

Please ensure the pneumatic arm is the correct orientation. The thinner section should be attached to the side rail, and the thicker part is connected to the slat frame.



Secure the pneumatic lifting mechanisms on the side rails (3) & (4) into place by using flange nuts (C) as shown.

Do not overtighten the nuts.

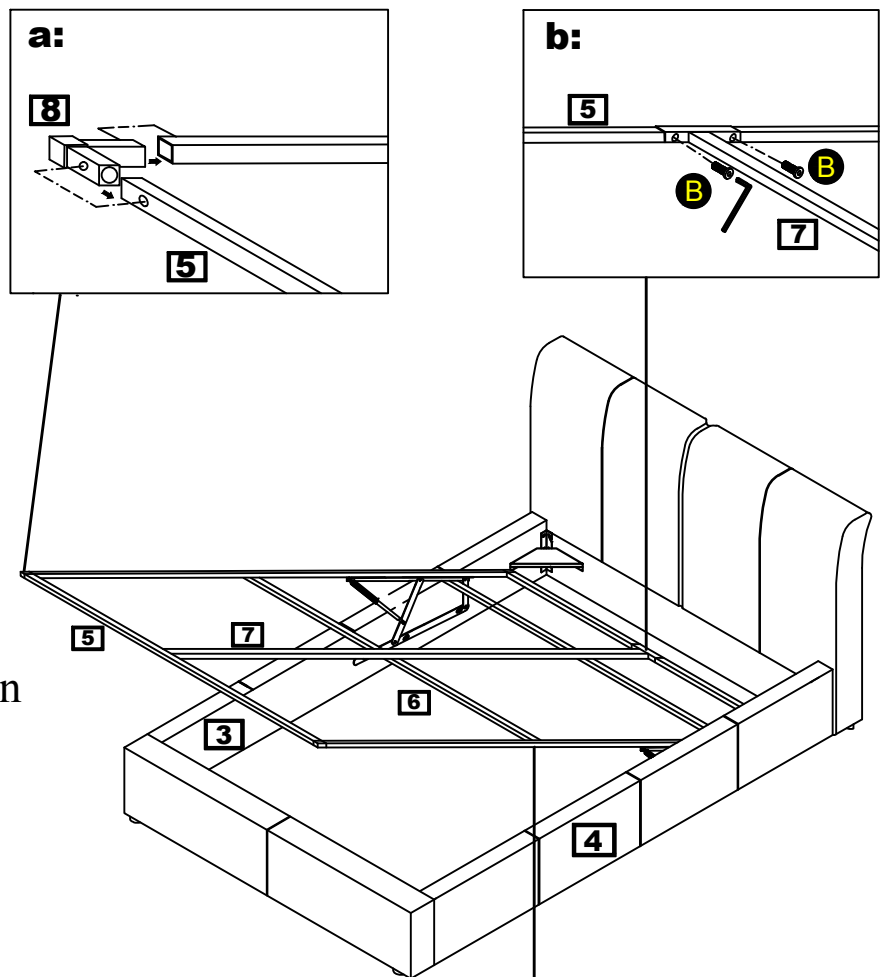
Assembly Instructions

Step6: Assemble slat frame

A: Fix the front/back frame rails(5) to the side support rails which are already attached to the lifting mechanism with plastic brackets (8) .

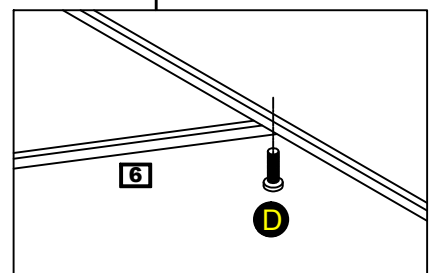
Repeat on all four corners.

B: Fix centre frame rail (7) to front / back frame rails (5) using bolt (B) and tighten with allen key provided.



Step7: Attach the horizontal supports

Fix the horizontal support rails (6) on the bottom of the lifting mechanism rail using bolts (D) with the allen key provided.



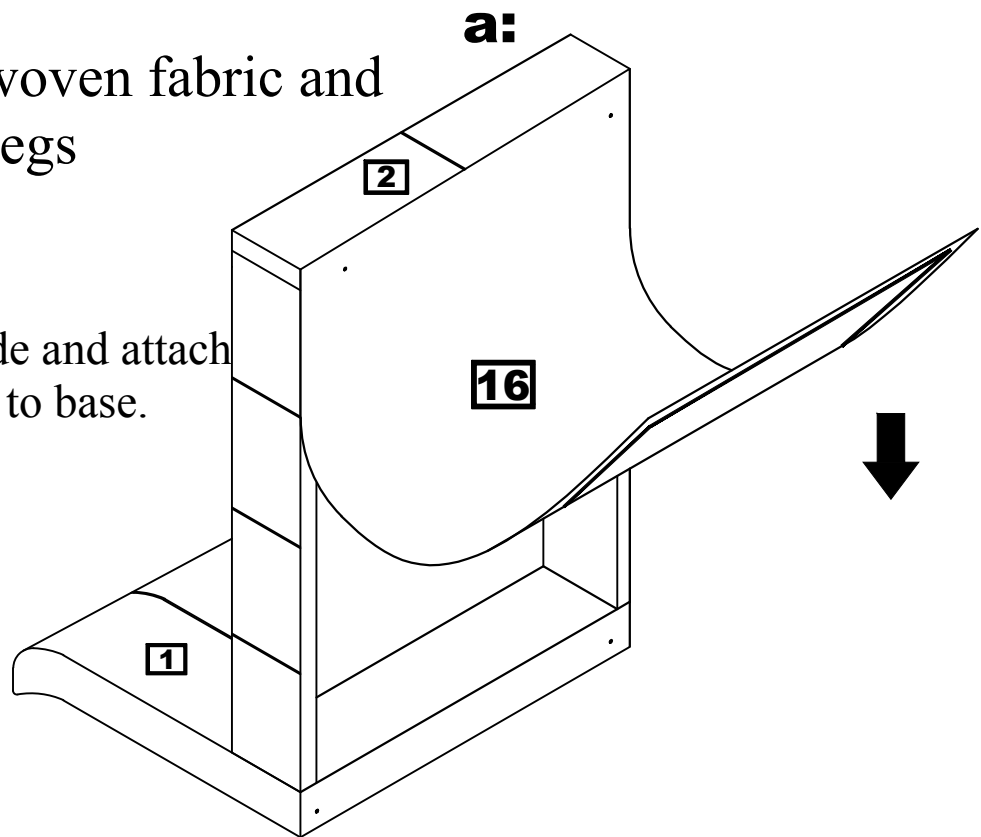
Assembly Instructions

Step 8: Attach woven fabric and Attach plastic legs

A:

Turn bed on its side and attach woven fabric (16) to base.

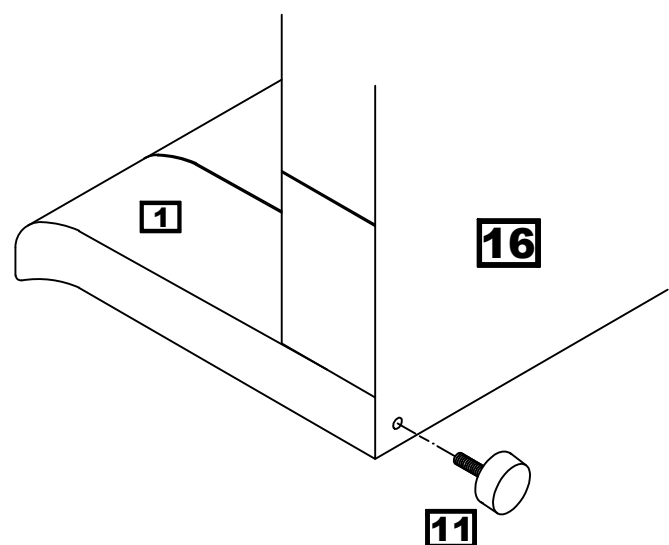
PLEASE NOTE – THE FABRIC BASE AND HANDLE ARE LOCATED AT THE TOP OF THE HEAD END.



B: Attach plastic legs

Whilst bed is upside down attach plastic legs (11) to the base.

b:

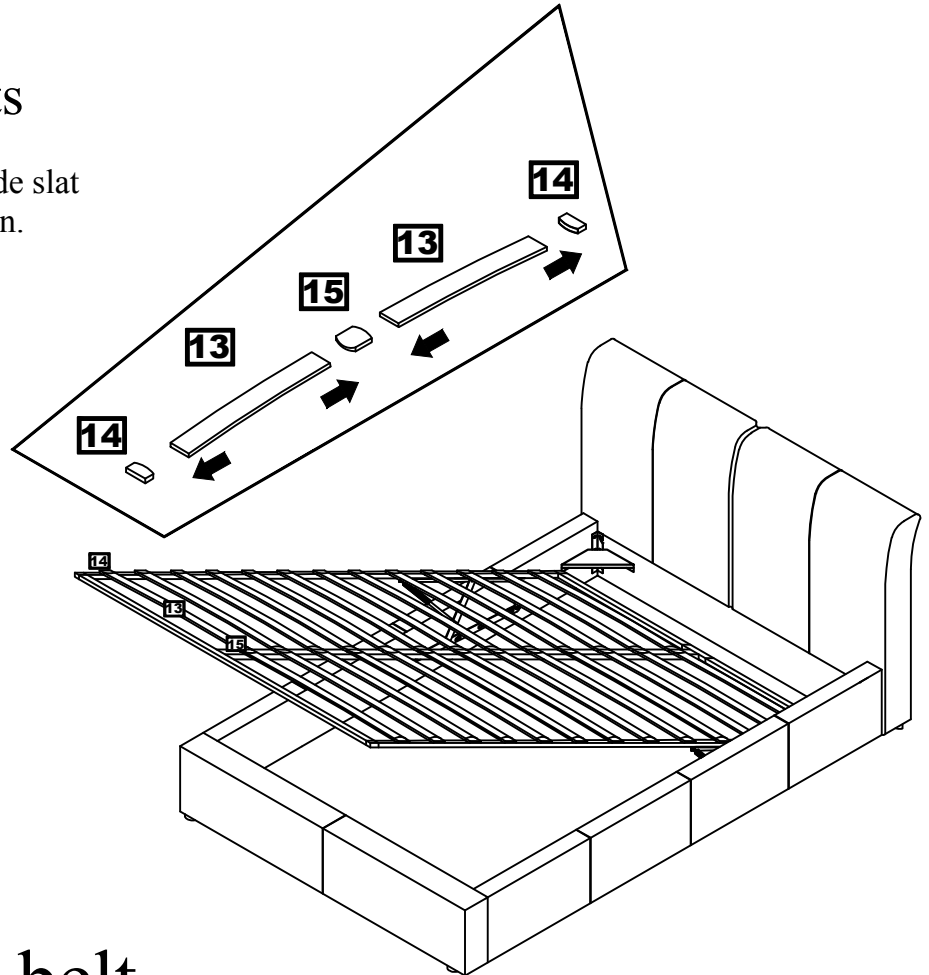


Assembly Instructions

Step 9: Assemble slats

Attach centre slat caps (15) and side slat caps (14) to each slat (13) as shown.

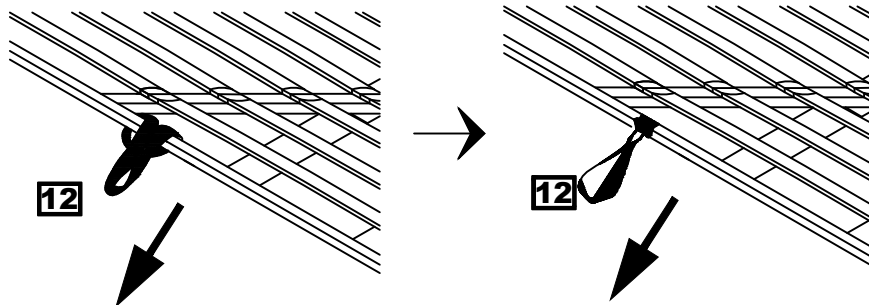
Attach the slats to the slat frame by firmly pushing into place on the slat frame.



Step 10: Attach belt

Attach belt (12) to the metal frame by loop-on method as shown. pull tight after loop-on.

PLEASE NOTE – THE FABRIC BASE AND HANDLE ARE LOCATED AT THE TOP OF THE HEAD END.



PLEASE NOTE: If your bed legs are placed onto a wooden floor, or any type of flooring that is deemed as 'slippery', it is your responsibility to ensure that the protective rubber or plastic on the base of any legs associated with the bed frame have not worn away. Unless your bed frame is physically fixed to the floor in any way, it is highly likely your bed frame will move as you enter and leave your bed.

If you find that upon checking the legs the rubber or plastic has worn away, you should ensure that some kind of floor protection is placed underneath the legs, such as adhesive floor pads. We highly recommend using floor protection pads with a high adhesion level.

IMPORTANT NOTICE

OTTOMAN OPERATING INSTRUCTIONS

Once your bed frame is completely assembled the slat unit will not operate correctly unless a mattress is placed on the slat frame. Position the mattress on the slat frame whilst it is in the closed position.

Operate the cloth handle to open and close the ottoman. PLEASE NOTE - it takes a lot of force to make the initial movement of the ottoman. This is a design feature of the product so it does not fall shut - the nearer to being closed the ottoman is, the easier it is to move. When the ottoman is almost shut it will close completely under its own weight.

When lowering the slat unit for the first time, take care to make sure it does not rub unevenly on the inside face of the side rails. If it does, the bed has been assembled slightly out of square. This can be reflected by moving the foot end of the bed slightly to the left or right whilst leaving the head end stationary.

PISTONS

The pistons used in the construction of this product are extremely strong and cannot be operated by hand when taken off the ottoman. All pistons are tested for correct pressure and operation before being attached to the slat unit.

Initially it might appear that the pistons are very stiff when opening and closing the ottoman - THIS IS PERFECTLY NORMAL

After operating the ottoman a few times, the movement of the pistons and the opening and closing of the ottoman will become easier.

“If you are experiencing problems pulling the frame down once assembled, place the mattress onto the slatted frame for extra weight, push the frame in towards the headboard and down at the same time. This will only need to happen once, and you will then notice the base will go up & down smoothly.”

WARNING

For the safety of yourselves and others, please ensure that:

- Only the handle is used when lifting and lowering the frame. Failure to comply with this warning may result in injury and finger entrapment.
- The handle is attached and always left visible on the outside of the bedstead frame.
- The metal frame is fully raised in the 'Up' position before using the ottoman space, otherwise the frame could fall causing injury.
- Children and pets are not left unattended when the frame is in the lifted position as they could become trapped inside the ottoman space.

Please keep children and pets away from the ottoman bedstead whilst opening and closing the slat frame to avoid injury.