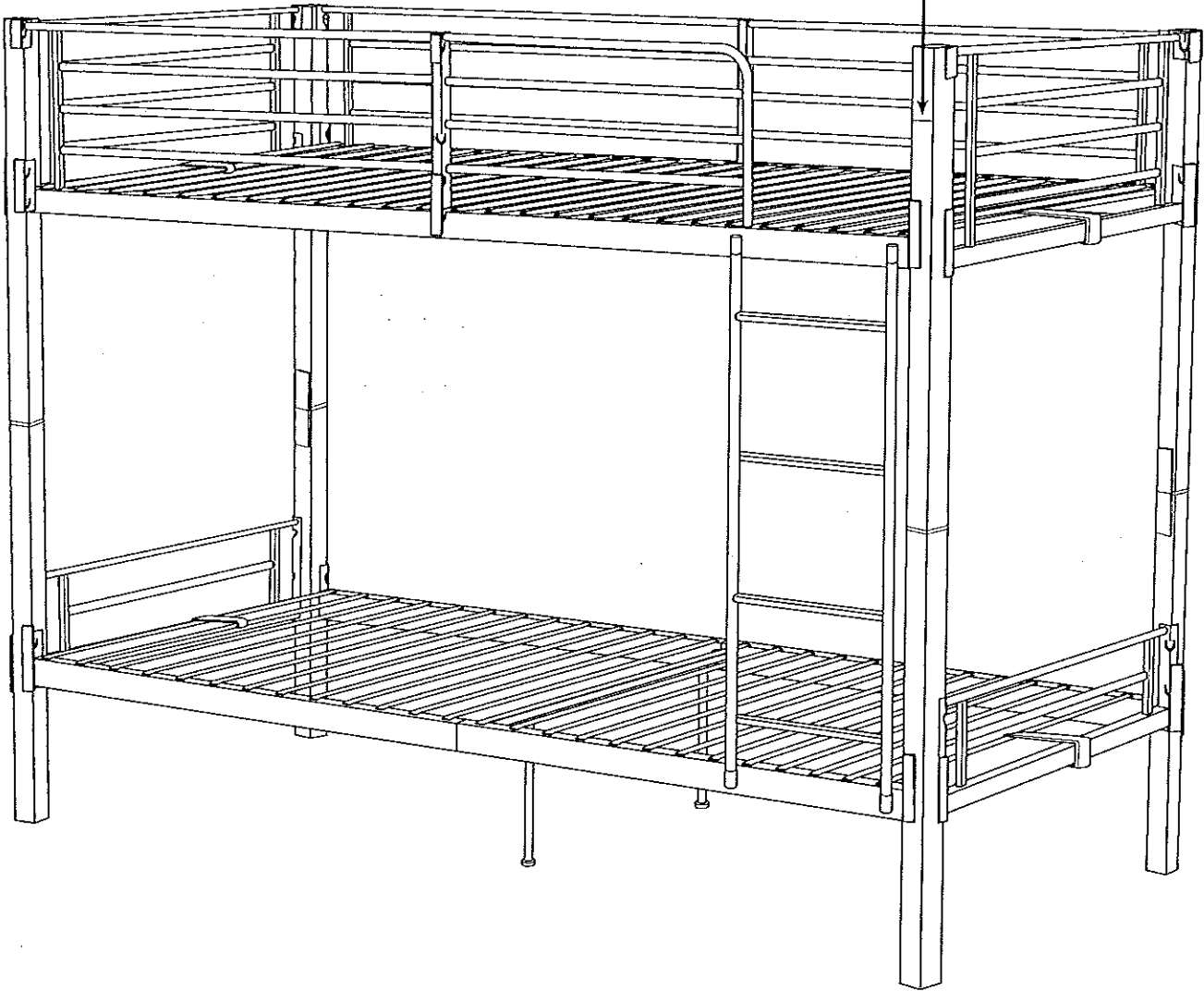


New No Bolt Bunk Split

Assembly Instructions - Please keep for future reference

IMPORTANT NOTE:

The top surface of the mattress should not come above this line.



Safety and Care Advice

- Important: Please read these instructions fully before starting assembly.
- Do not discard any of the packaging until you have checked that you have all the parts and the pack of fittings.
- Assemble this product on a flat and protected surface.
- At least 2 people are required to assemble this product.
- Assemble this product in the room intended for use.

Warnings:

- This product should only be used on firm, level ground.

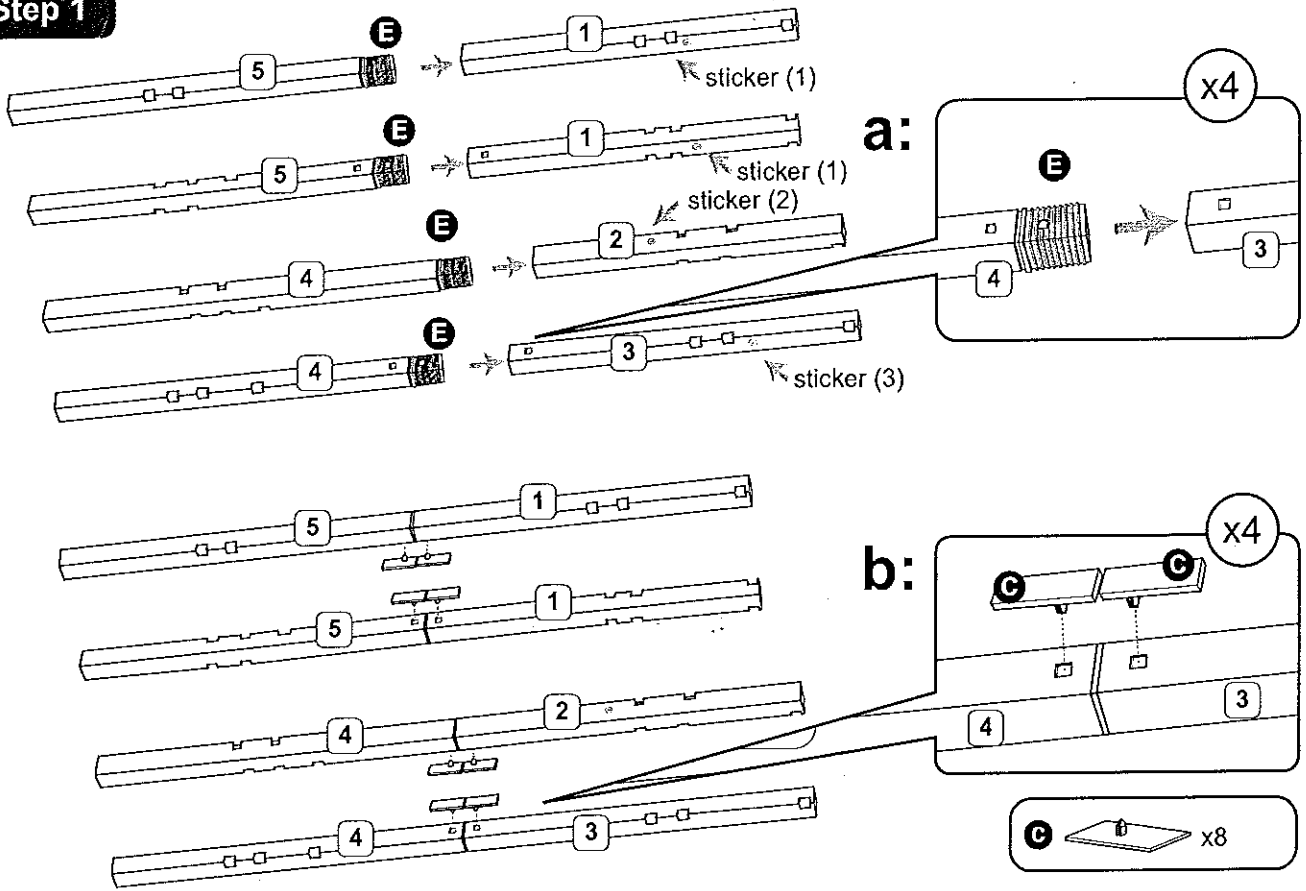
- Make sure the legs remain in contact with the ground.
- Do not stand on the product.

Care and maintenance:

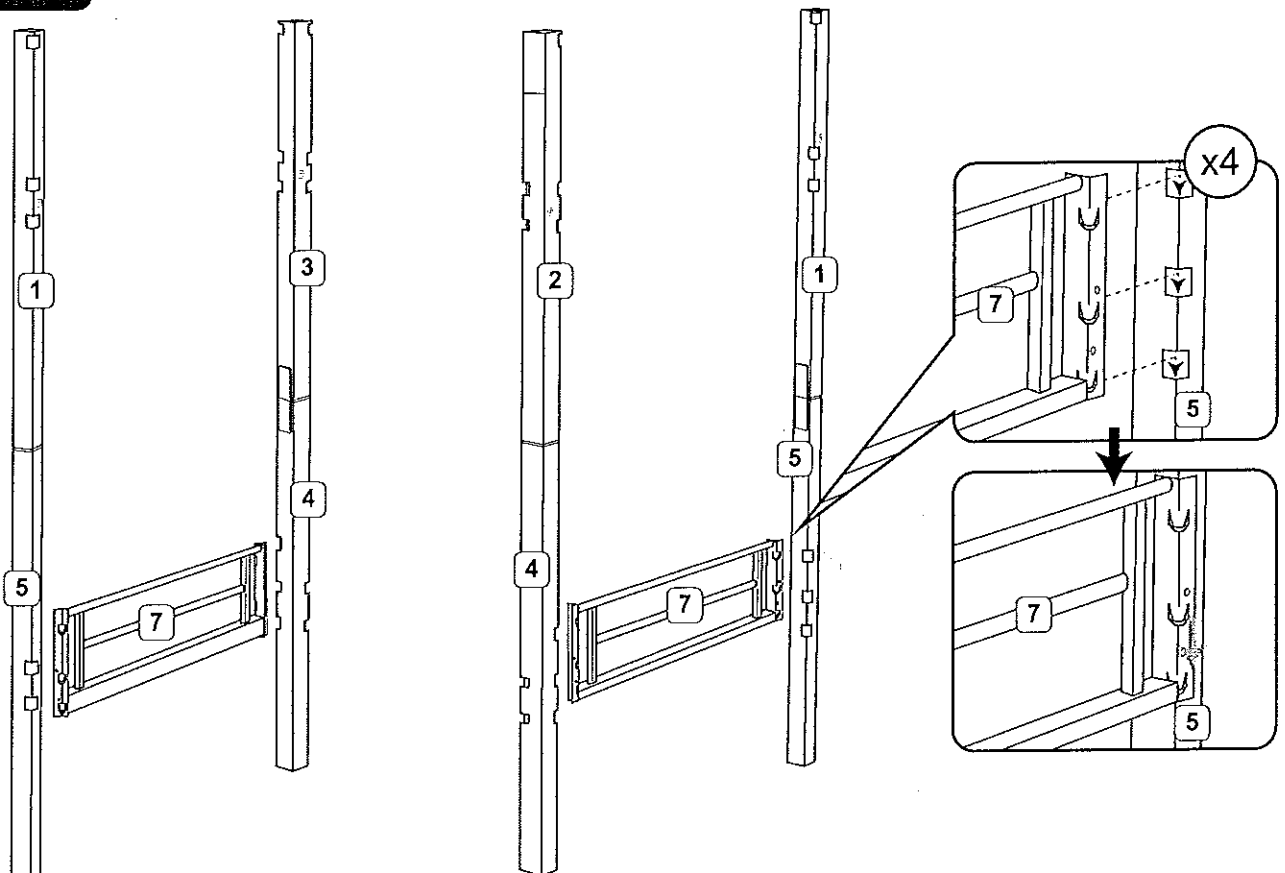
- Please clean the product using either damp (not wet) cloth and a mild domestic soap solution or by using an appropriate polish.
- Do not use abrasive materials when cleaning.
- From time to time, check that parts connections are tight and in place.

Assembly Instructions

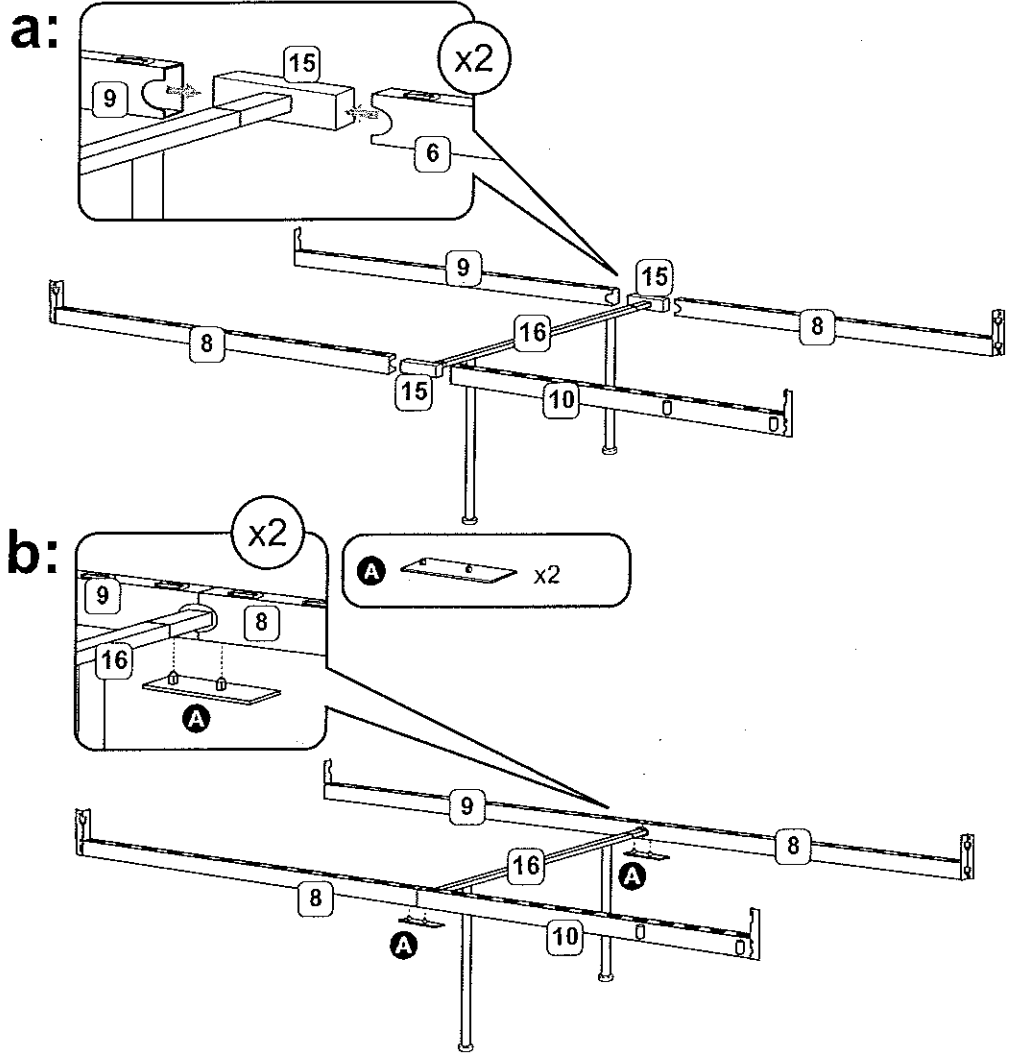
Step 1



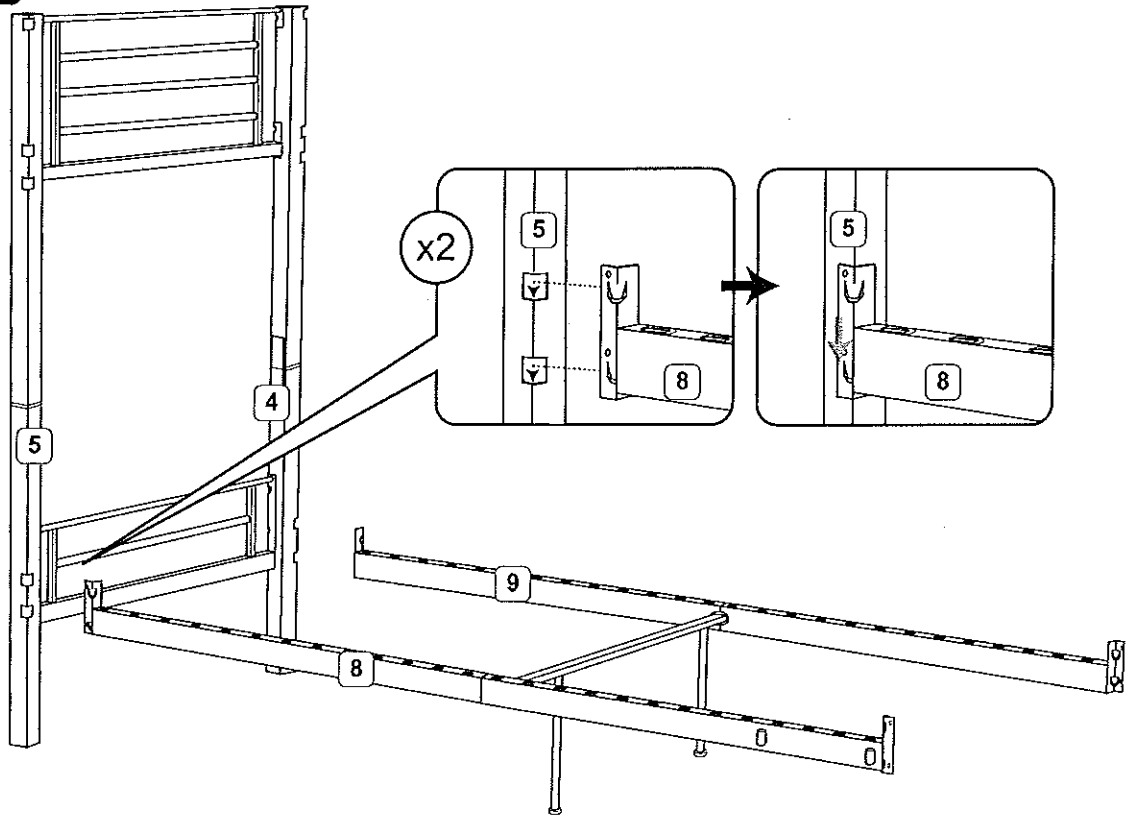
Step 2



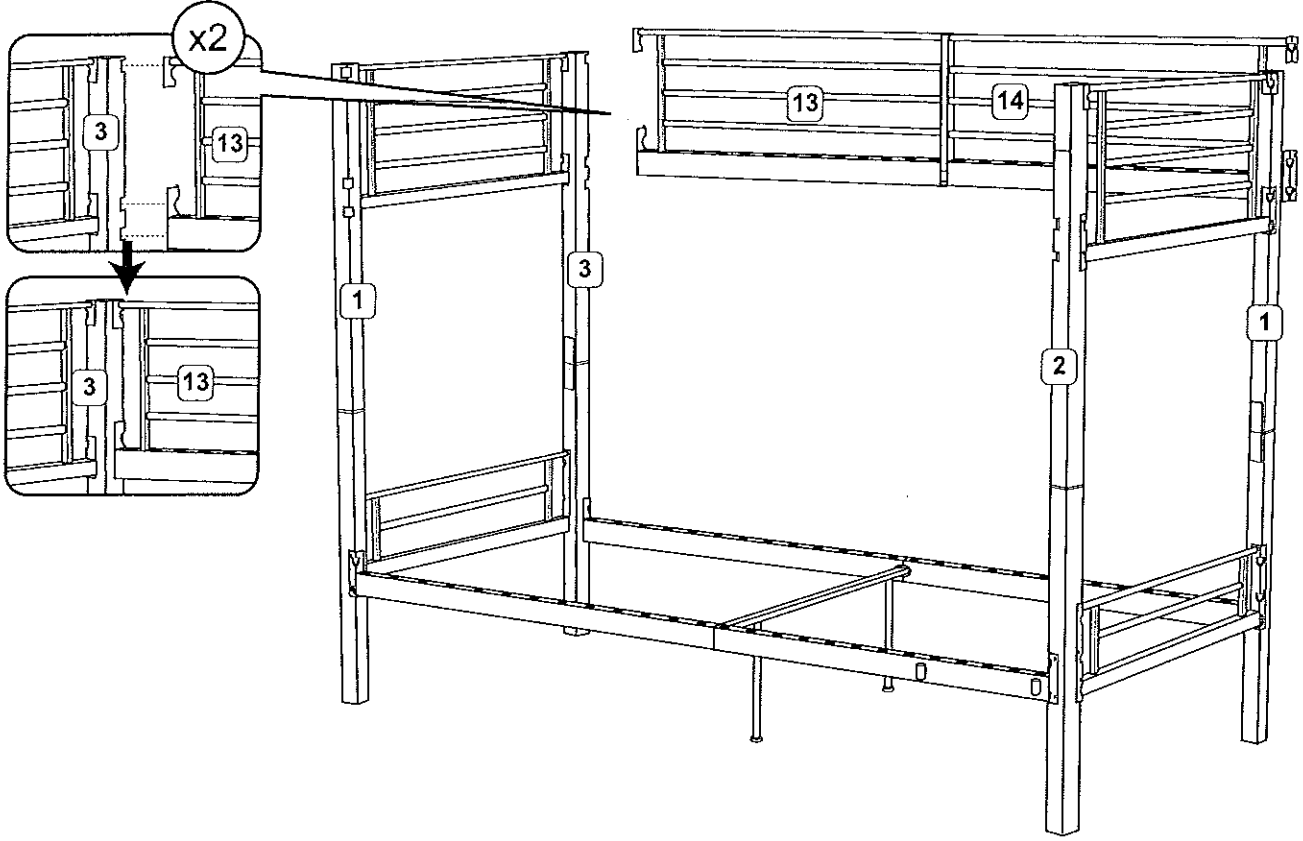
Step 5



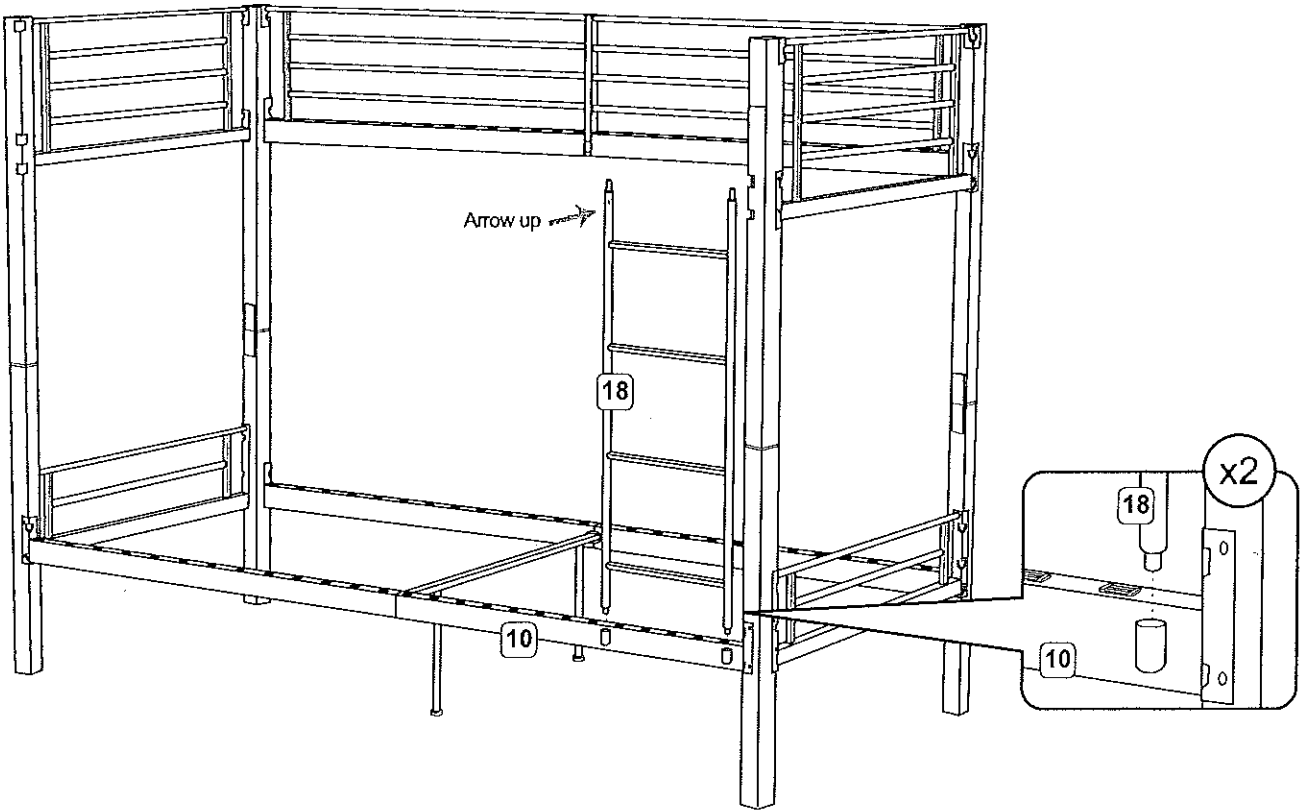
Step 6



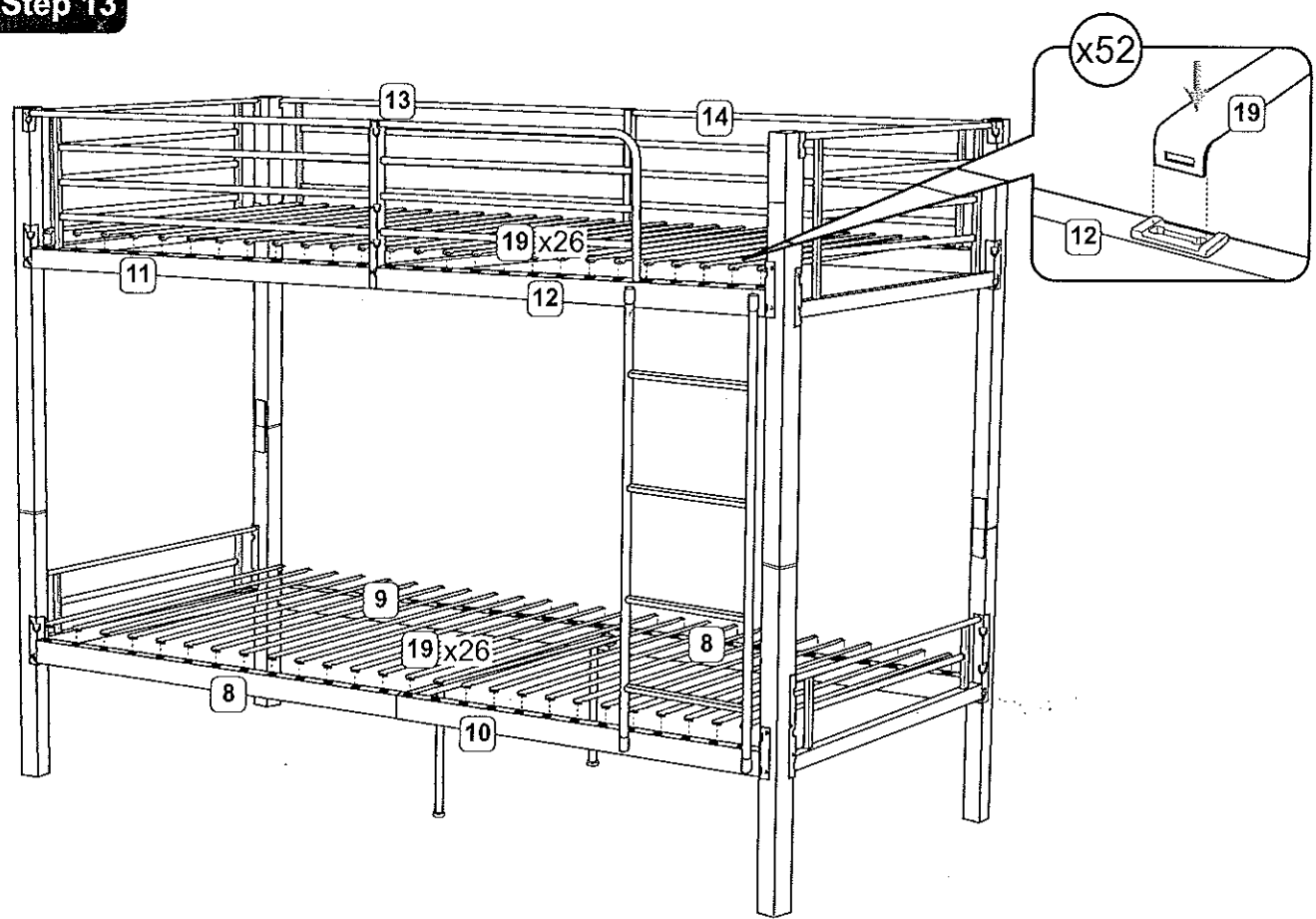
Step 9



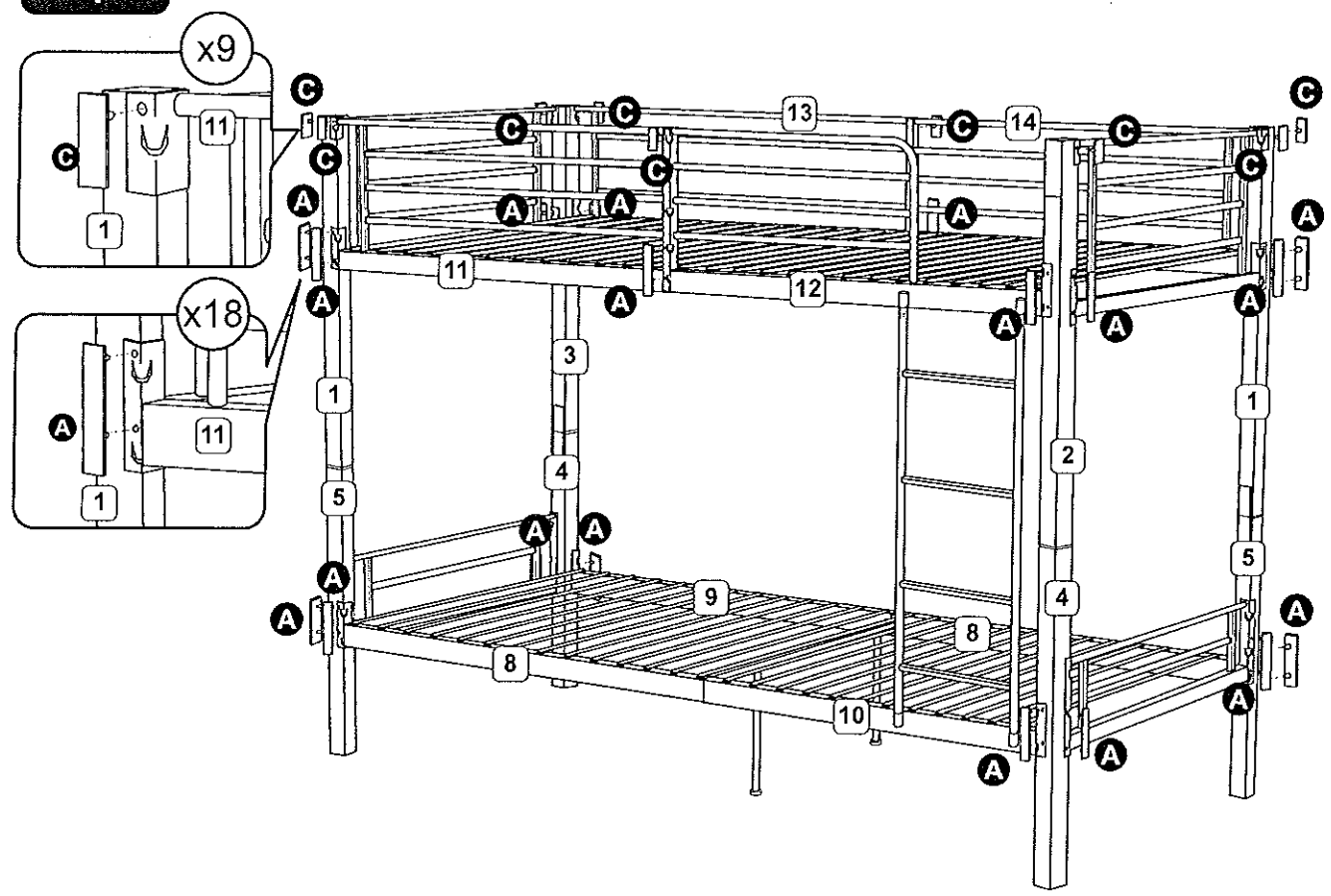
Step 10



Step 13

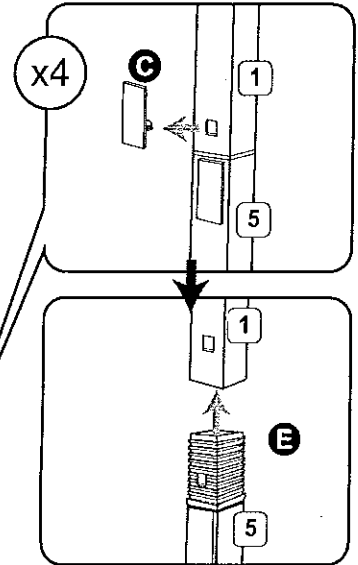
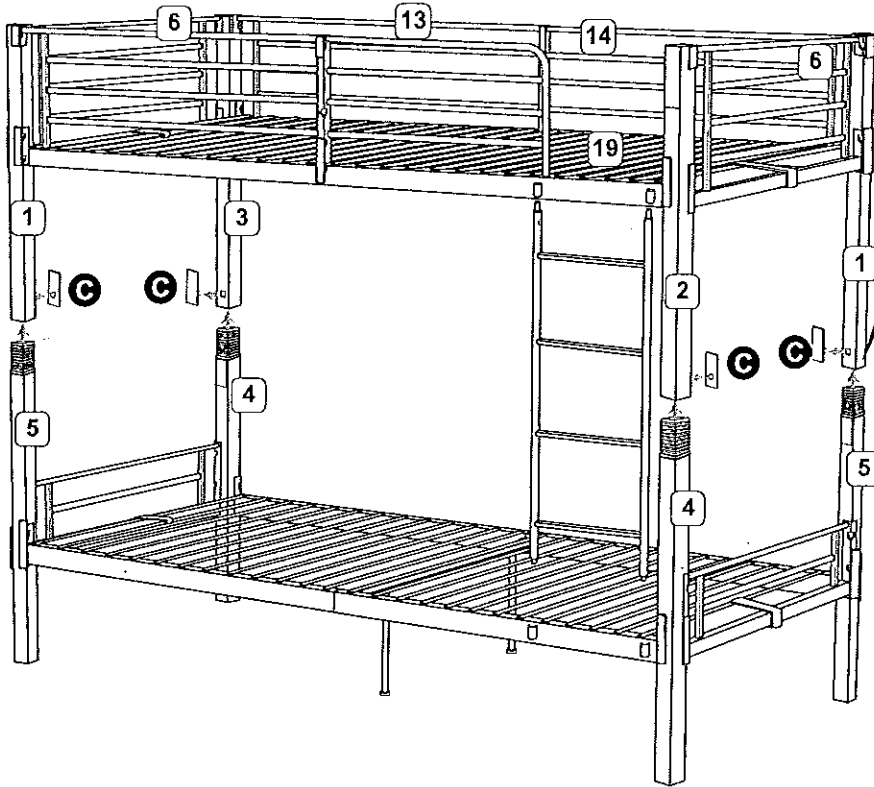


Step 14

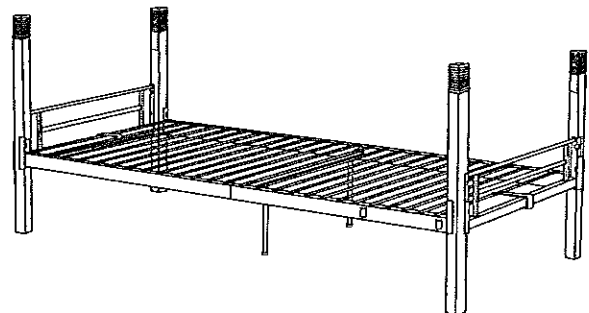
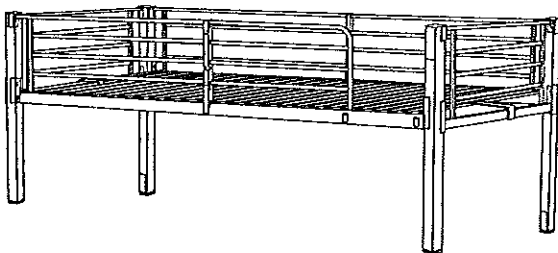
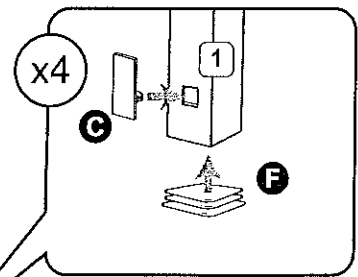
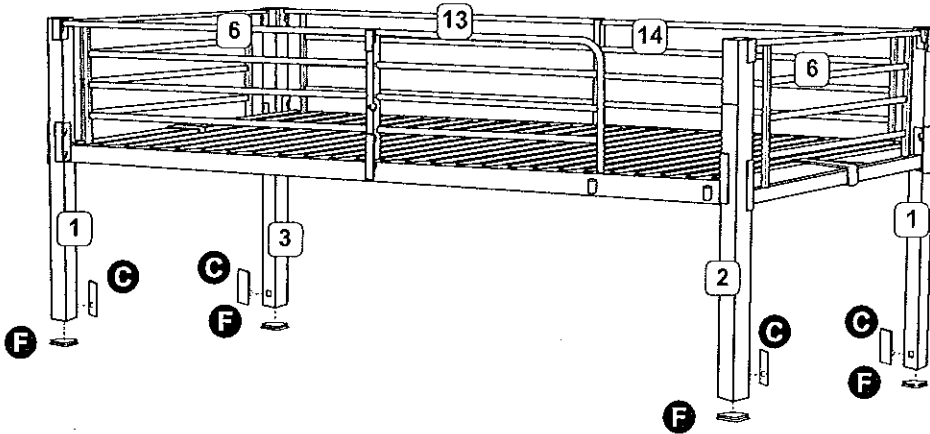


Instructions for Splitting the Bunk Bed to 2 Single Beds

Step 1



Step 2



Assembly is complete.



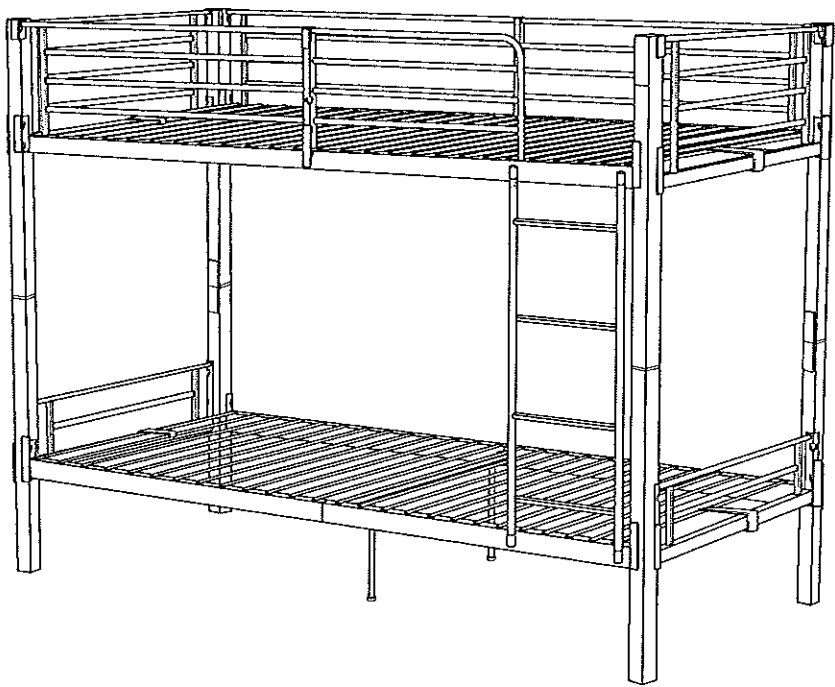
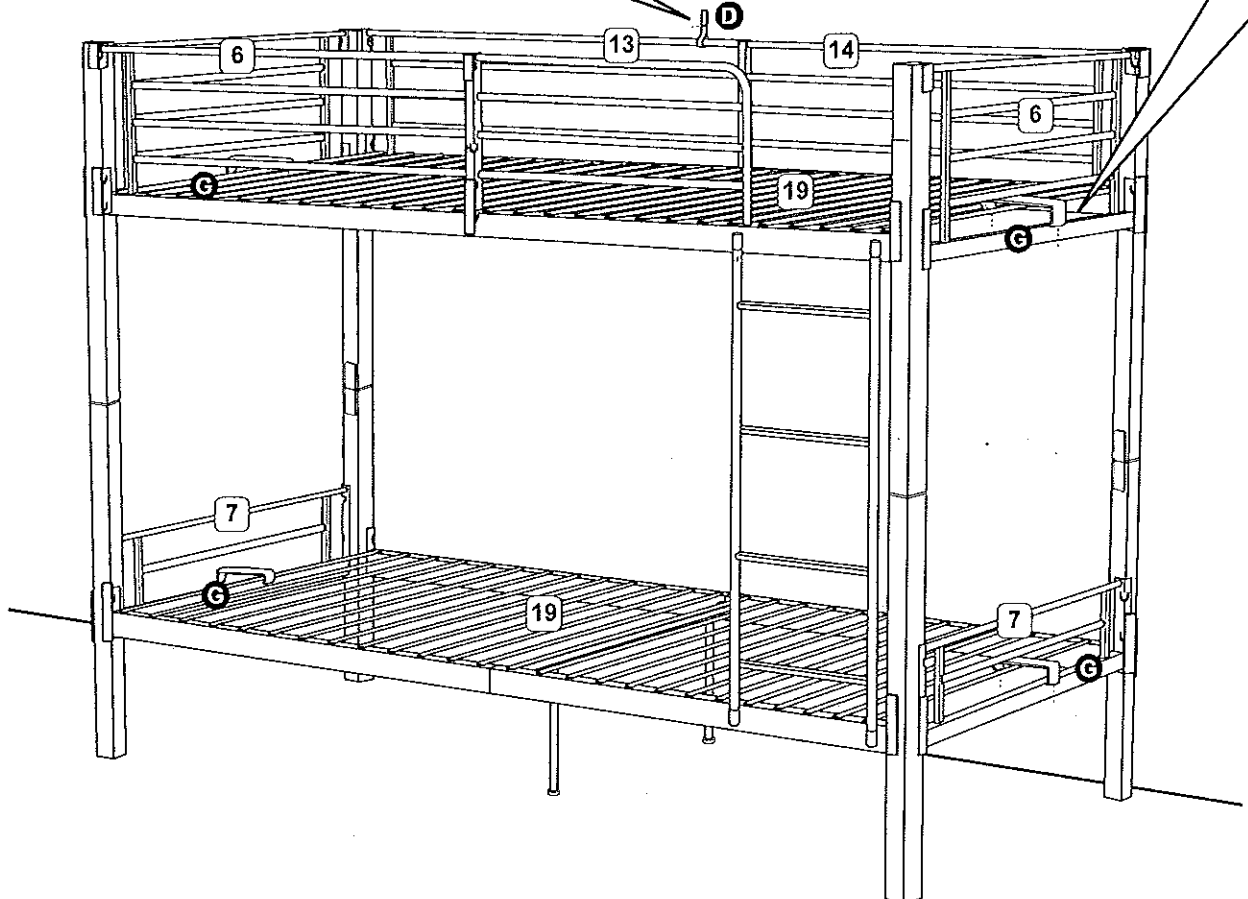
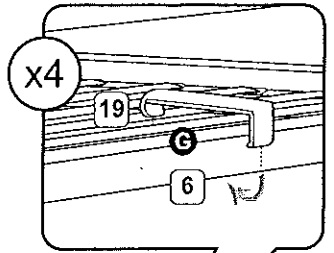
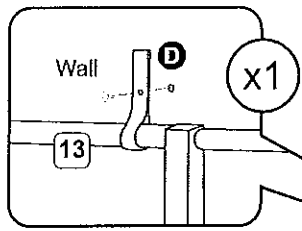
WARNINGS:

IMPORTANT: READ CAREFULLY

RETAIN FOR FUTURE REFERENCE

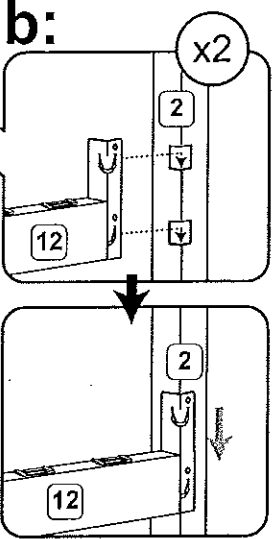
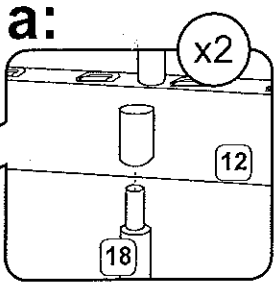
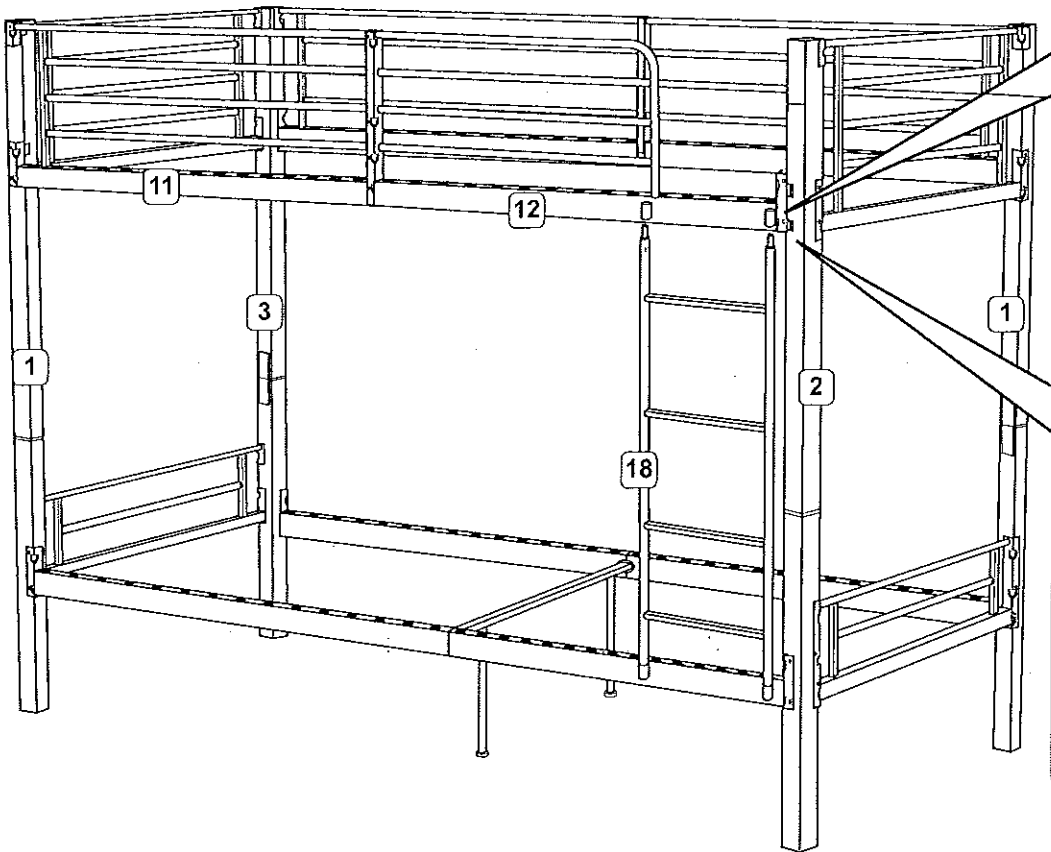
- **WARNING:** High beds and upper bed of bunk beds are not suitable for children under six years due to the risk of injury from falls.
- **WARNING:** Bunk beds and high beds can present a serious risk of injury from strangulation if not used correctly. Never attach or hang items to any part of the bunk bed that are not designed to be used with the bed, for example, but not limited to ropes, strings, cords, hooks, belts and bags.
- **WARNING:** Children can become trapped between the bed and the wall, a roof pitch, the ceiling, adjoining pieces of furniture (e.g. cupboards) and the like. To avoid risk of serious injury the distance between the top safety barrier and the adjoining structure shall not exceed 75mm or shall be more than 230mm.
- **WARNING:** Do not use the bunk bed/high bed if any structural part is broken or missing.
- Always follow the manufacturer's instructions.
- The recommended size of the mattress is L1900 x W900mm.
- Ventilation of the room is necessary in order to keep the humidity low and to prevent mould in and around the bed.
- Assembly instructions including a list of the parts supplied and details of any tools required to assemble the bed are included in the pack.
- The maximum thickness of the mattress is 190mm. Mattress maximum thickness marking on the product are found on the post.
- Check regularly that all assembly fastenings are properly tightened.

Step 15

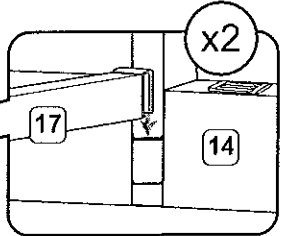
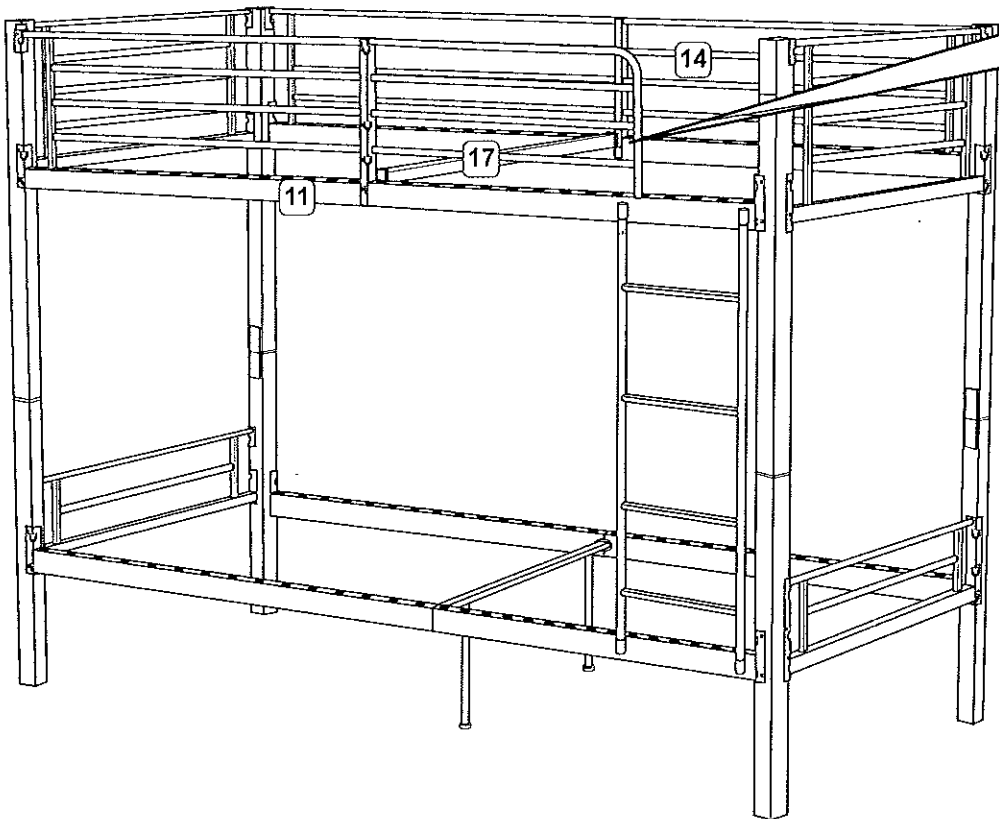


Assembly is complete.

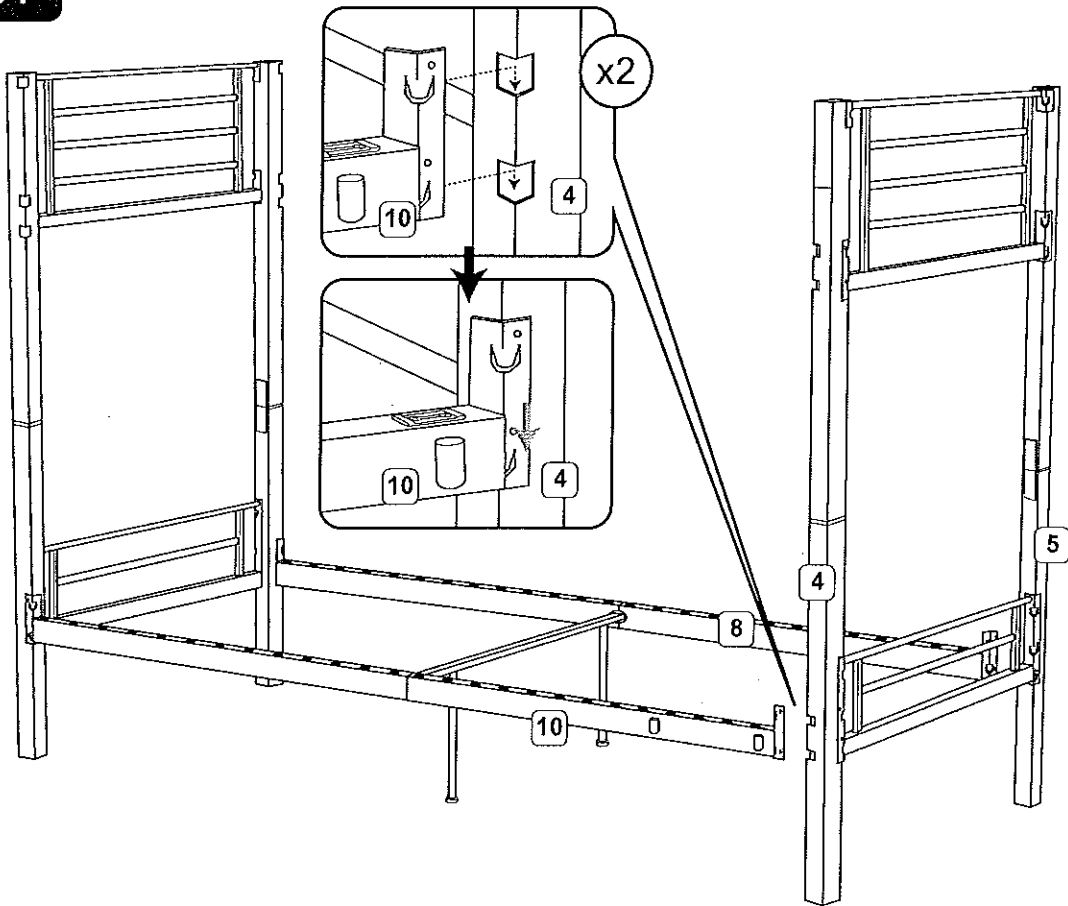
Step 11



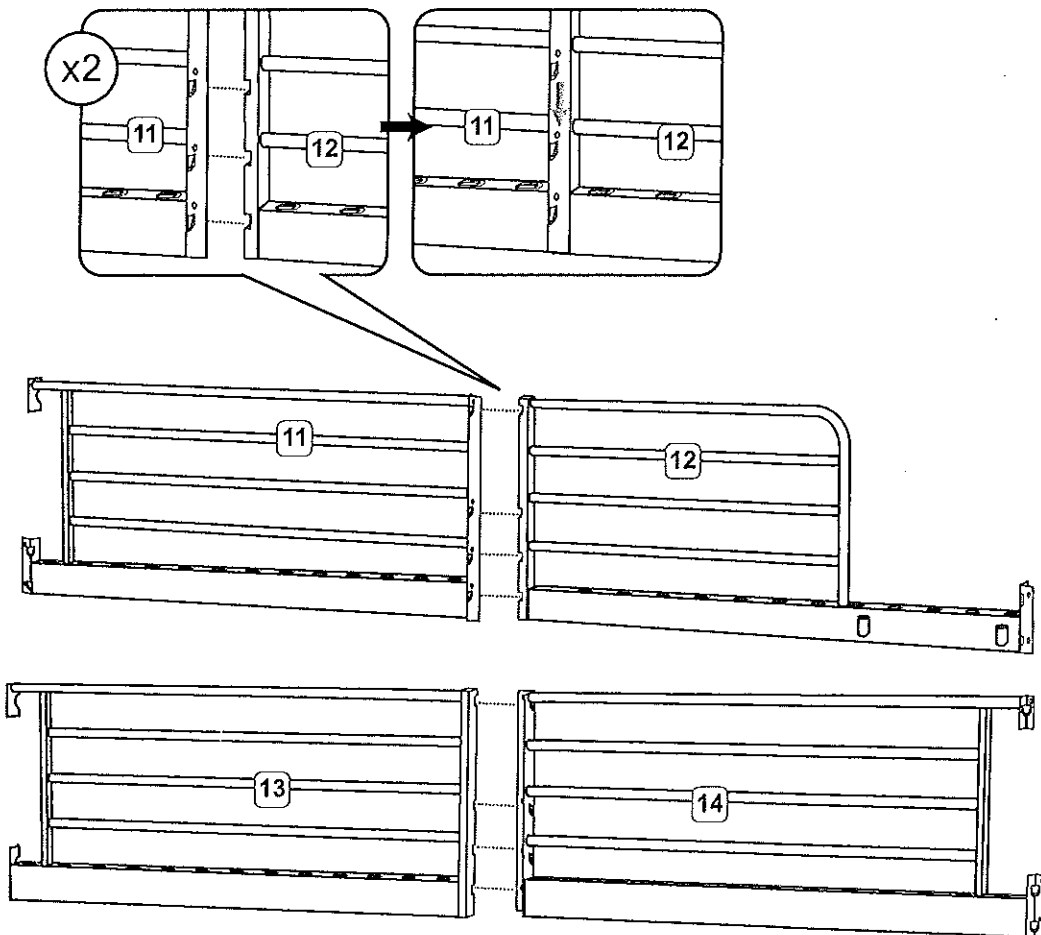
Step 12



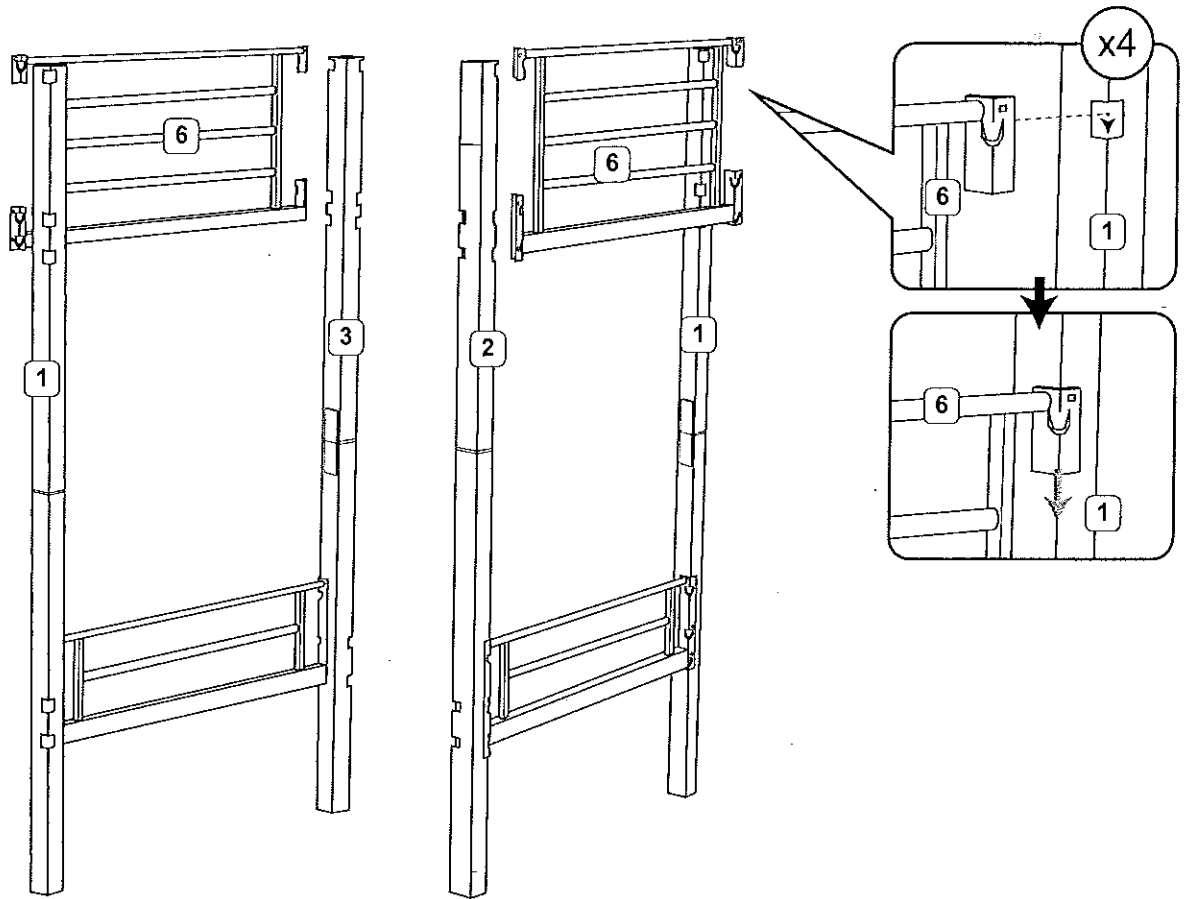
Step 7



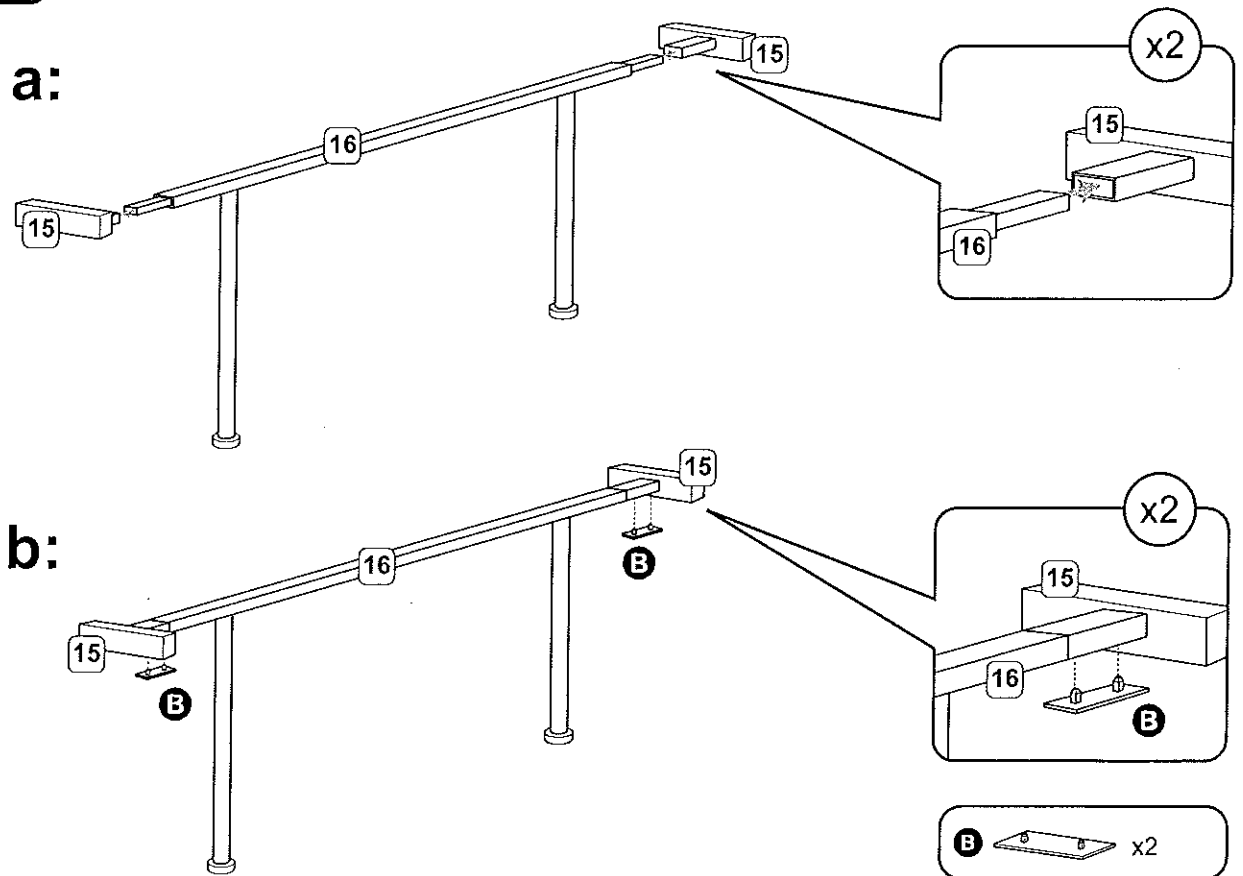
Step 8



Step 3

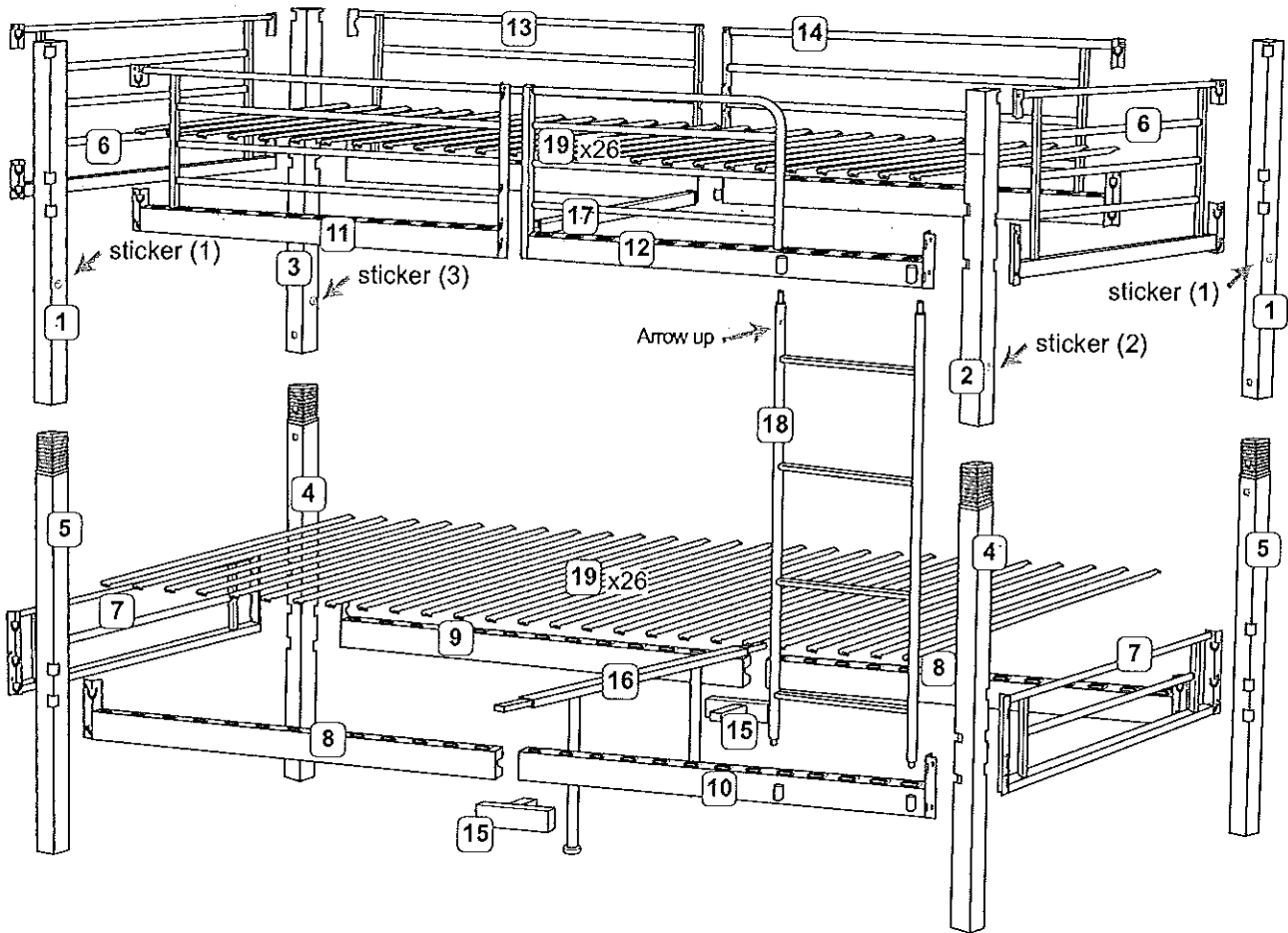


Step 4


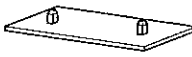

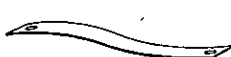


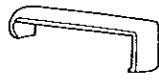


Parts List

- | | |
|---|--------------------------------------|
| 1 UPPER END POST (FRONT-LEFT/BACK-RIGHT) - 2 pcs. | 11 SAFETY RAIL (FRONT-LEFT) - 1 pc. |
| 2 UPPER END POST (FRONT-RIGHT) - 1 pc. | 12 SAFETY RAIL (FRONT-RIGHT) - 1 pc. |
| 3 UPPER END POST (BACK-LEFT) - 1 pc. | 13 SAFETY RAIL (BACK-LEFT) - 1 pc. |
| 4 LOWER END POST (FRONT-RIGHT/BACK-LEFT) - 2 pcs. | 14 SAFETY RAIL (BACK-RIGHT) - 1 pc. |
| 5 LOWER END POST (FRONT-LEFT/BACK-RIGHT) - 2 pcs. | 15 CENTRE LEG CONNECTOR - 2 pcs. |
| 6 UPPER SIDE RAIL - 2 pcs. | 16 CENTRE LEG - 1 pc. |
| 7 LOWER SIDE RAIL - 2 pcs. | 17 UPPER CENTRE RAIL - 1 pc. |
| 8 LOWER RAIL (FRONT-LEFT/BACK-RIGHT) - 2 pcs. | 18 LADDER - 1 pc. |
| 9 LOWER RAIL (BACK-LEFT) - 1 pc. | 19 SLATS - 52 pcs. |
| 10 LOWER RAIL (FRONT-RIGHT) - 1 pc. | |



Fittings List

A  Long cap - 20 pcs.	B  Medium cap - 2 pcs.	C  Short cap - 17 pcs.	D  Wall strap x 1
E  Connector x 4 (Pre-installed in lower end posts 4 & 5)	F  Footing cap x 4	G  Bracket - 4 pcs.	

Additional Tools Required

