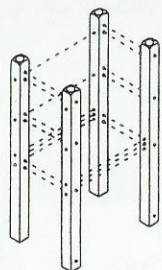


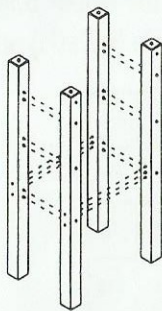
Assembly Instructions Moderna Bunk Bed

1/5

Part in Box 1

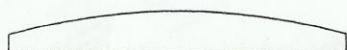


(A) Upper Post (Shorter) x 4

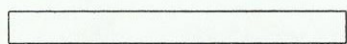


(B) Lower Post (Longer) x 4

Part in Box 2

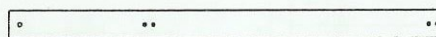


(C) Up.&Lw. Top Panel x 4

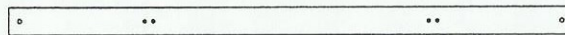


(D) Up.&Lw. Mid.& Bottom Panel x 8

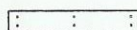
Part in Box 3



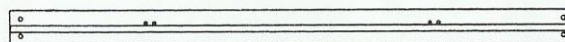
(E) Front Upper Guardrail x 2



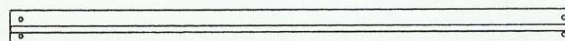
(F) Back Upper Guardrail x 2



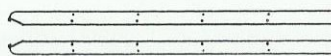
(G) Guardrail Spindle x 4



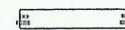
(H) Upper Side Rail x 2



(I) Lower Side Rail x 2

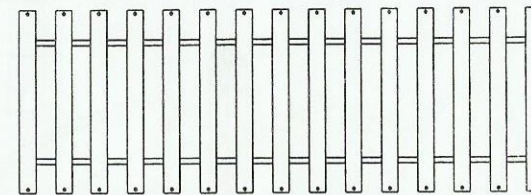


(J) Ladder Rail x 2



(K) Ladder Steps x 4

Part in Box 4



(L) Set of Slats x 2



Hardware List

| | | | |
|----|--------------------------|--|------|
| 1. | JCBC M6 x 90mm | | x 22 |
| 2. | JCBC M6 x 35mm | | x 24 |
| 3. | JCBC M6 x 70mm | | x 24 |
| 4. | M6 x 15mm Barrel Nut | | x 22 |
| 5. | Wood Dowel M10 x 40mm | | x 32 |

| | | | |
|-----|--------------------------|--|------|
| 6. | Metal Pin M10 x 100mm | | x 4 |
| 7. | CSK M4 x 25mm | | x 44 |
| 8. | M4 Allen Key | | x 1 |
| 9. | Wooden Button 11.5mm | | x 4 |
| 10. | JCBB M8 x 35mm | | x 32 |

| | | | |
|-----|-----------------|--|-----|
| 11. | M5 Allen Key | | x 1 |
|-----|-----------------|--|-----|

Tool required for assembly :

- * Allen Key (supplied)
- * Phillips Screwdriver (not supplied)

EN **WARNING !!**

IMPORTANT-READ CAREFULLY-RETAIN FOR FURNITURE REFERENCE



- MAX. MATTRESS HEIGHT 6.25" (160MM)
- Max thickness of the mattress to be used with the bed must be at least 6.25" (160mm) below the upper edge of the safety barrier.
- Use only mattress which is 74"-75" long and 36"-37" wide on upper bunk
- The bunk bed or high bed should not be used if any structural part is broken or missing
- High beds and the upper bed of bunk bed are not suitable for children under six years due to risk of injury from falls.
- Warning: Children can become trapped between the bed and the wall. To avoid risk of serious injury the distance between the top barrier and the wall shall not exceed 75mm or shall be more than 230mm".

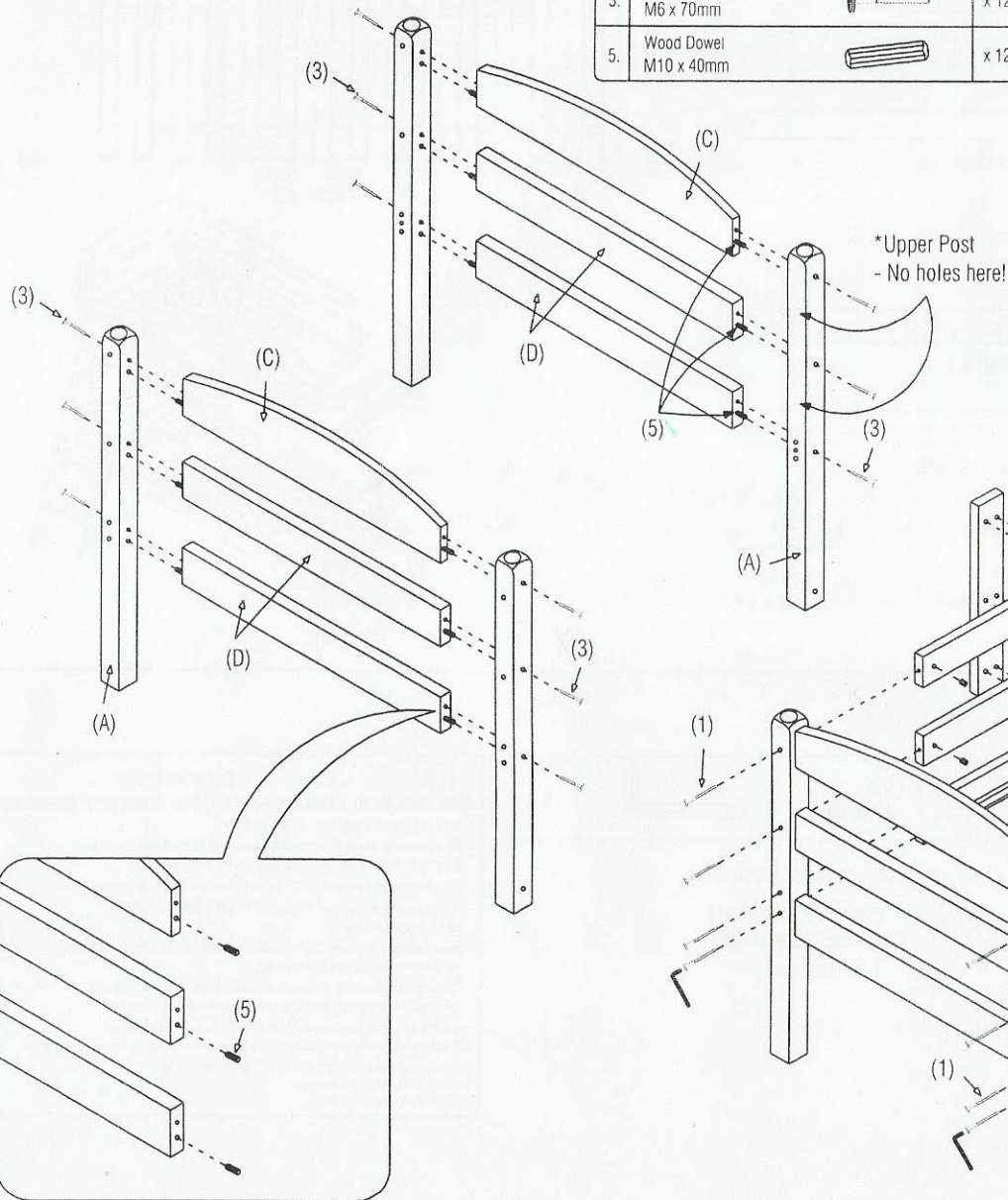
STRANGULATION HAZARD - Never attach or hang items to any part of the bunk bed that are not designed for use with the bed; for example, but not limited to, nook, belt, and jump ropes.

- EN 747 Part 1 and Part 2 :2007



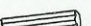
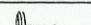
Assembly Instructions Moderna Bunk Bed

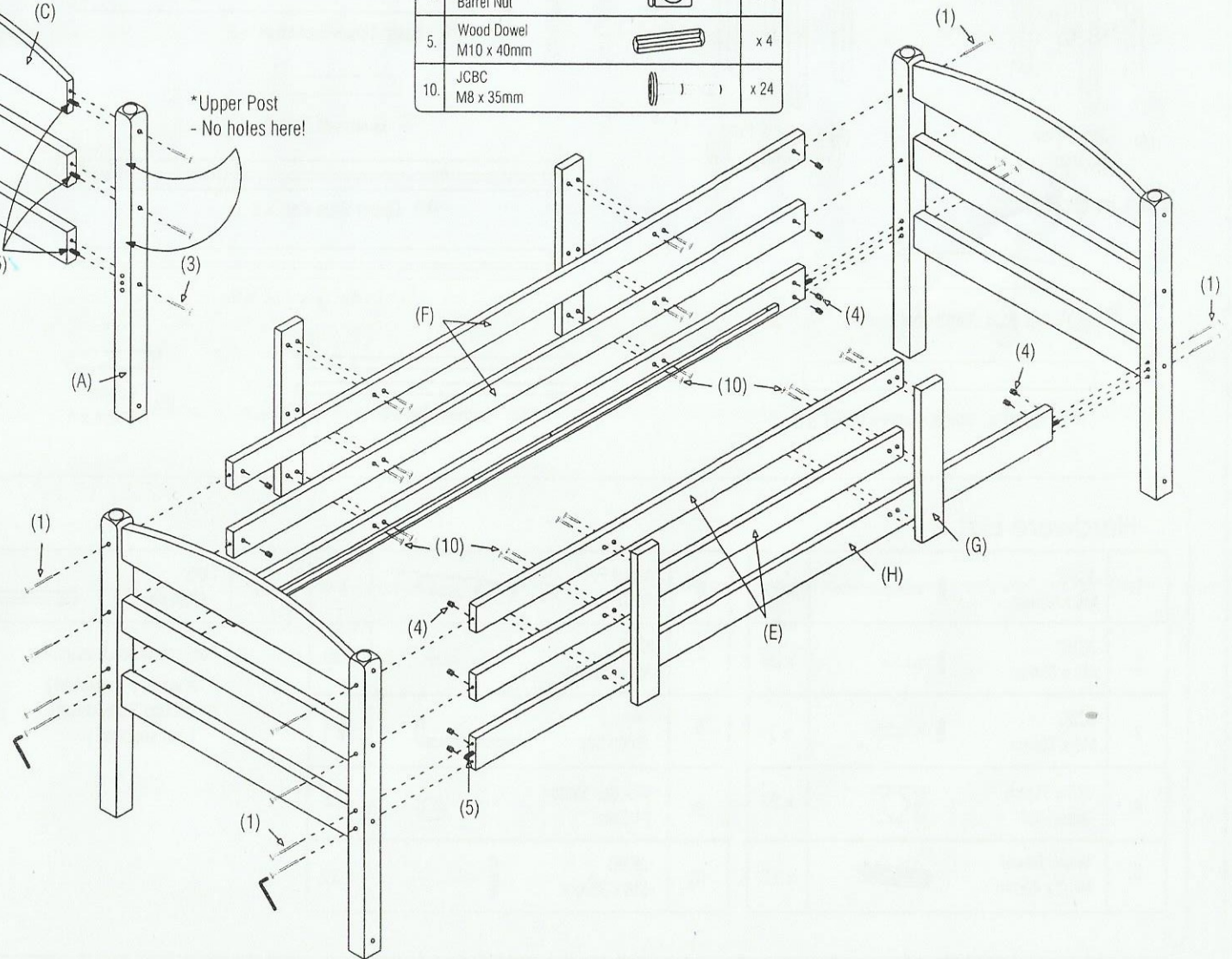
1 Assemble the Upper Bunk End Frames.

| | | | |
|----|--------------------------|--|------|
| 3. | JCBC M6 x 70mm |  | x 12 |
| 5. | Wood Dowel M10 x 40mm |  | x 12 |



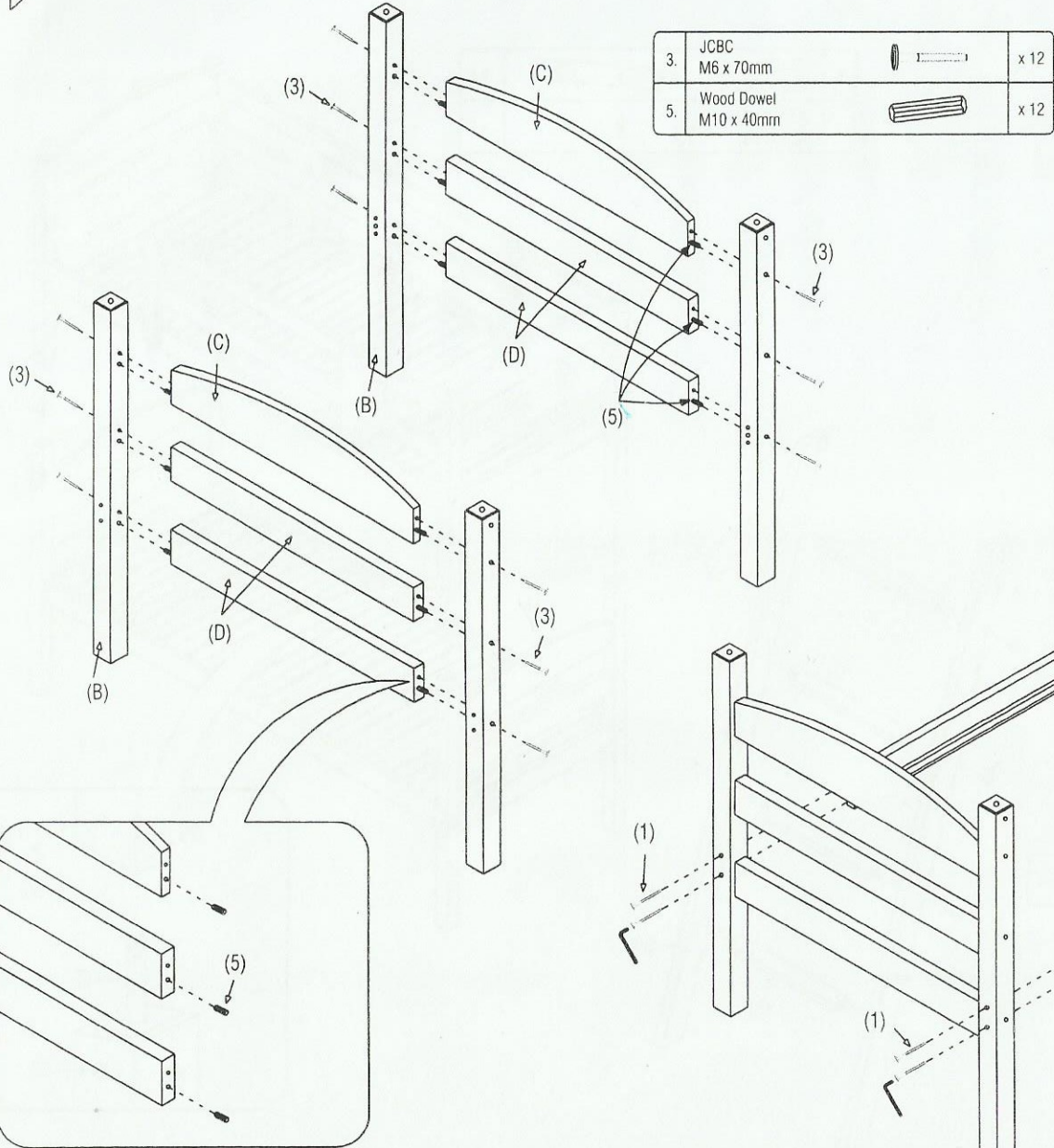
2 Assemble the Upper Bunk End Frames with the Side Rails (H) and Front & Back Guard Rails (E&F).

| | | | |
|-----|--------------------------|---|------|
| 1. | JCBC M6 x 90mm |  | x 14 |
| 4. | M6 x 15mm Barrel Nut |  | x 14 |
| 5. | Wood Dowel M10 x 40mm |  | x 4 |
| 10. | JCBC M8 x 35mm |  | x 24 |

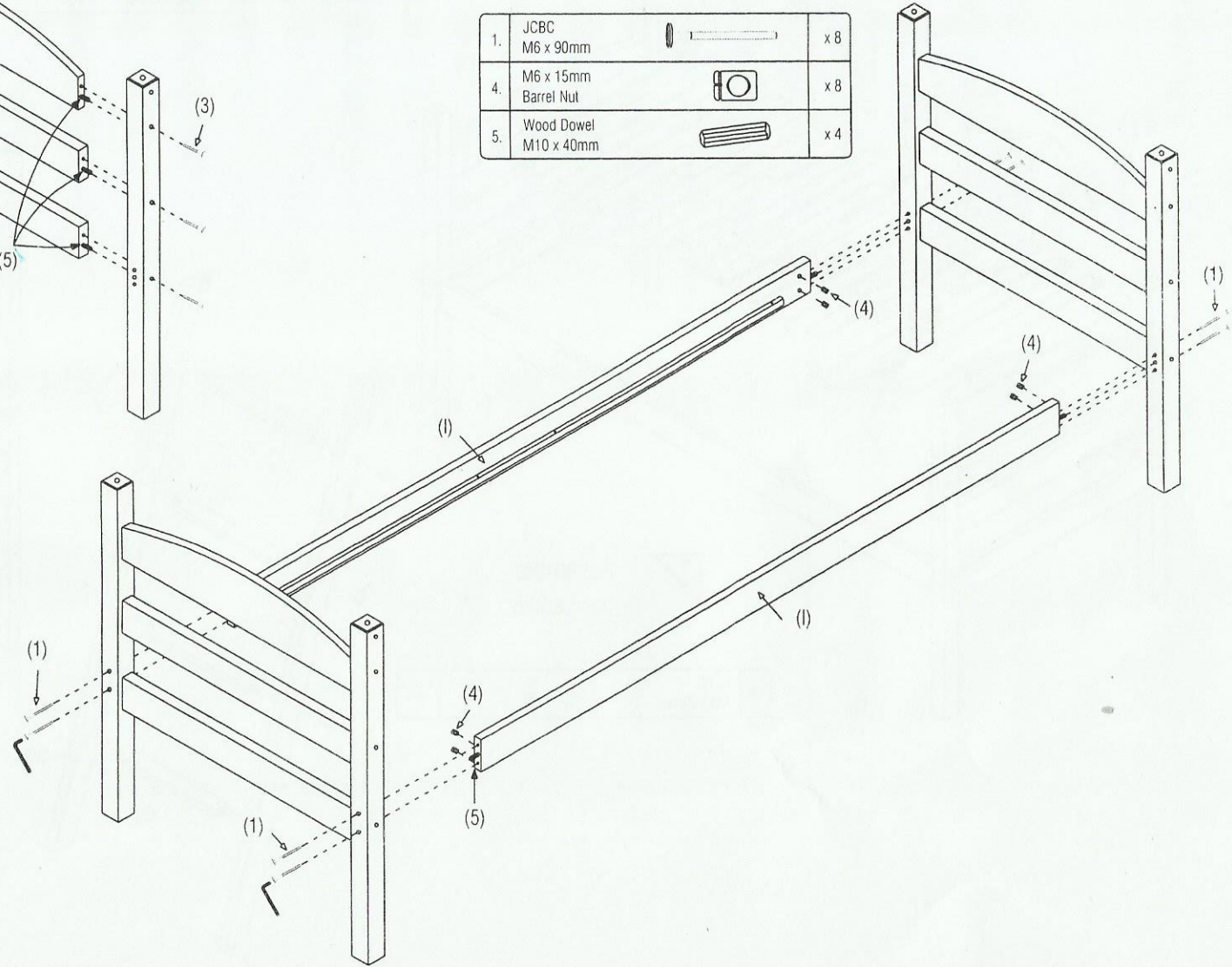


Assembly Instructions Moderna Bunk Bed

3 Assemble the Lower Bunk End Frames.





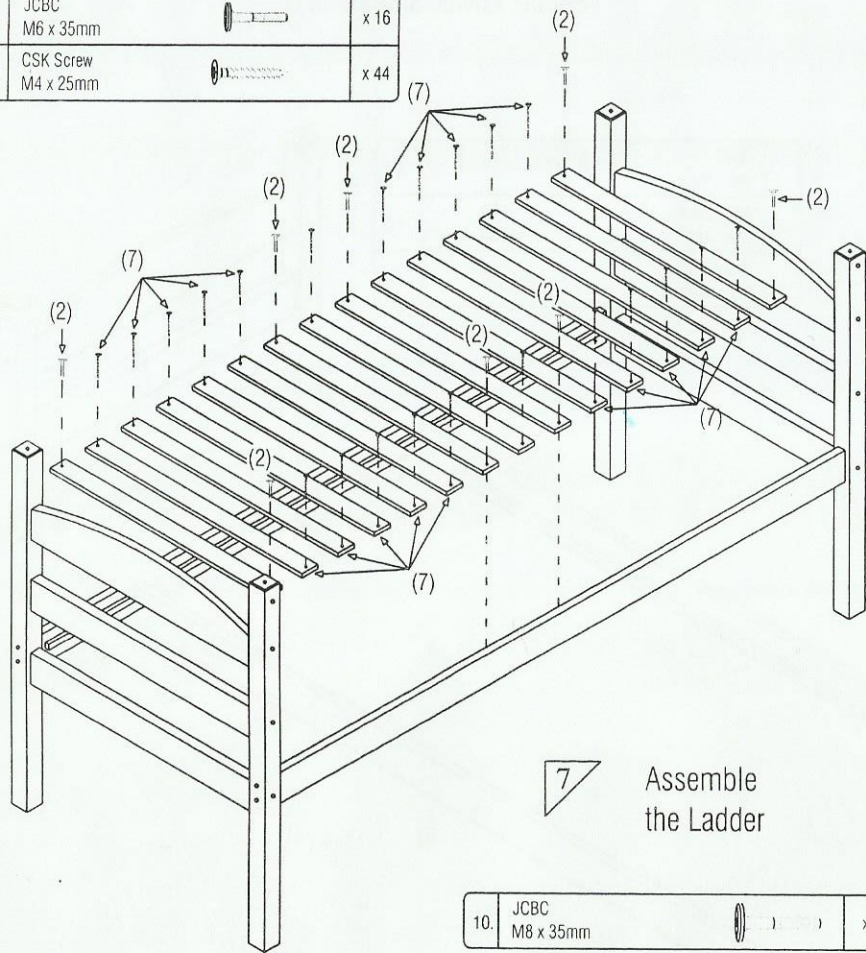
4 Assemble the Lower Bunk End Frames with the Lower Side Rails (I).




Assembly Instructions Moderna Bunk Bed

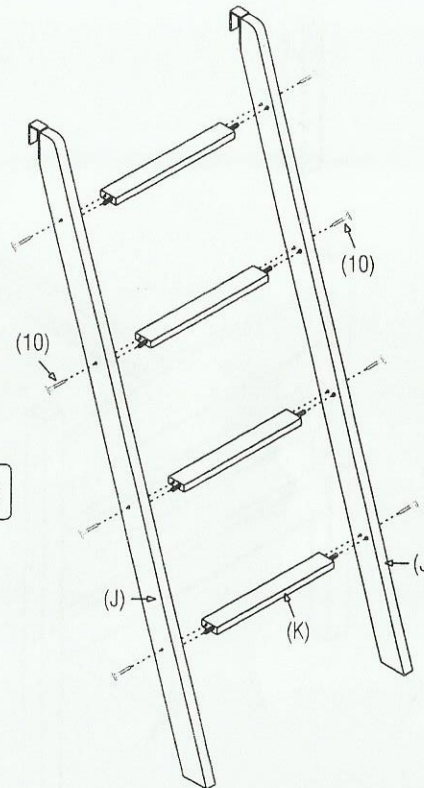
5 Assemble the Slats (L) to the Upper & Lower Bunk

| | | | |
|----|------------------------|---|------|
| 2. | JCBC M6 x 35mm |  | x 16 |
| 7. | CSK Screw M4 x 25mm |  | x 44 |

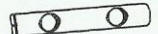



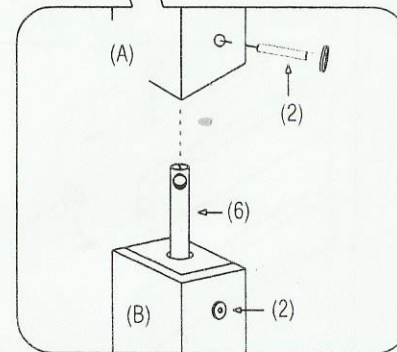
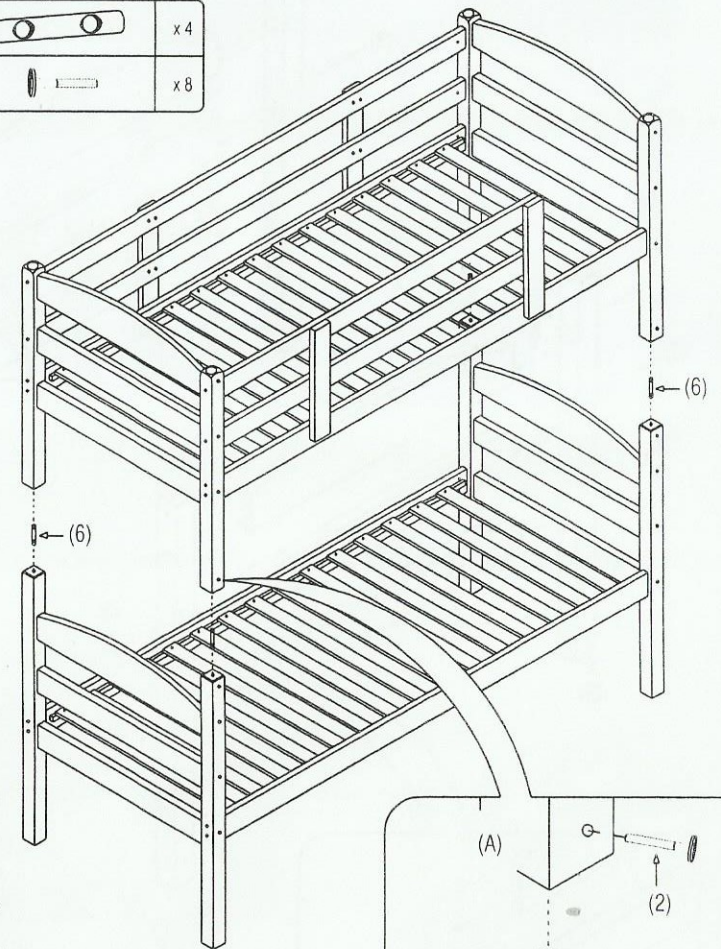
7 Assemble the Ladder

| | | | |
|-----|-------------------|---|-----|
| 10. | JCBC M8 x 35mm |  | x 8 |
|-----|-------------------|---|-----|



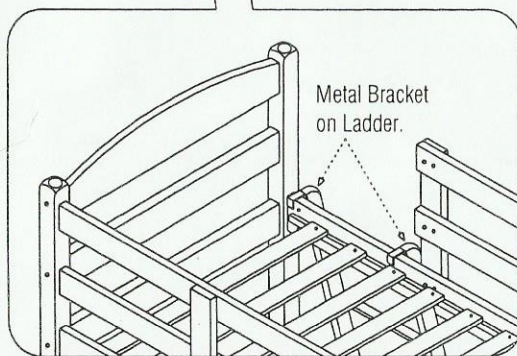
6 Join the Upper & Lower Bunk

| | | | |
|----|--------------------------|---|-----|
| 6. | Metal Pin M10 x 100mm |  | x 4 |
| 2. | JCBC M6 x 35mm |  | x 8 |




Assembly Instructions Moderna Bunk Bed

8 Attach the Ladder to the Upper Bunk.



9 Optional use of bunk bed as separate Twin Beds

Use the Lower End Frame as a Headboard.

| | | | |
|----|-------------------------|---|-----|
| 9. | Wooden Button 11.5mm |  | x 4 |
|----|-------------------------|---|-----|

Use the Upper End Frame as a Footboard.

