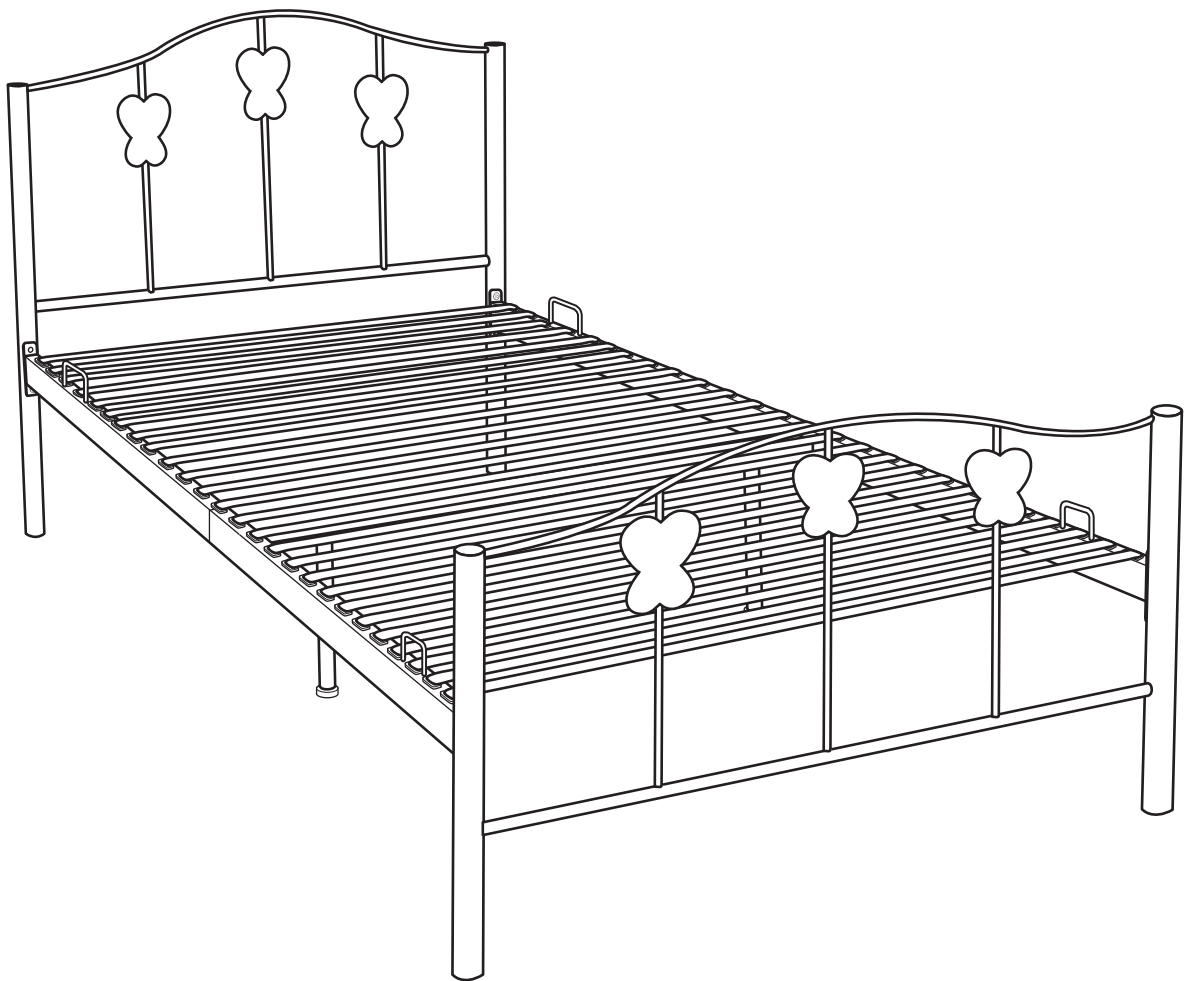


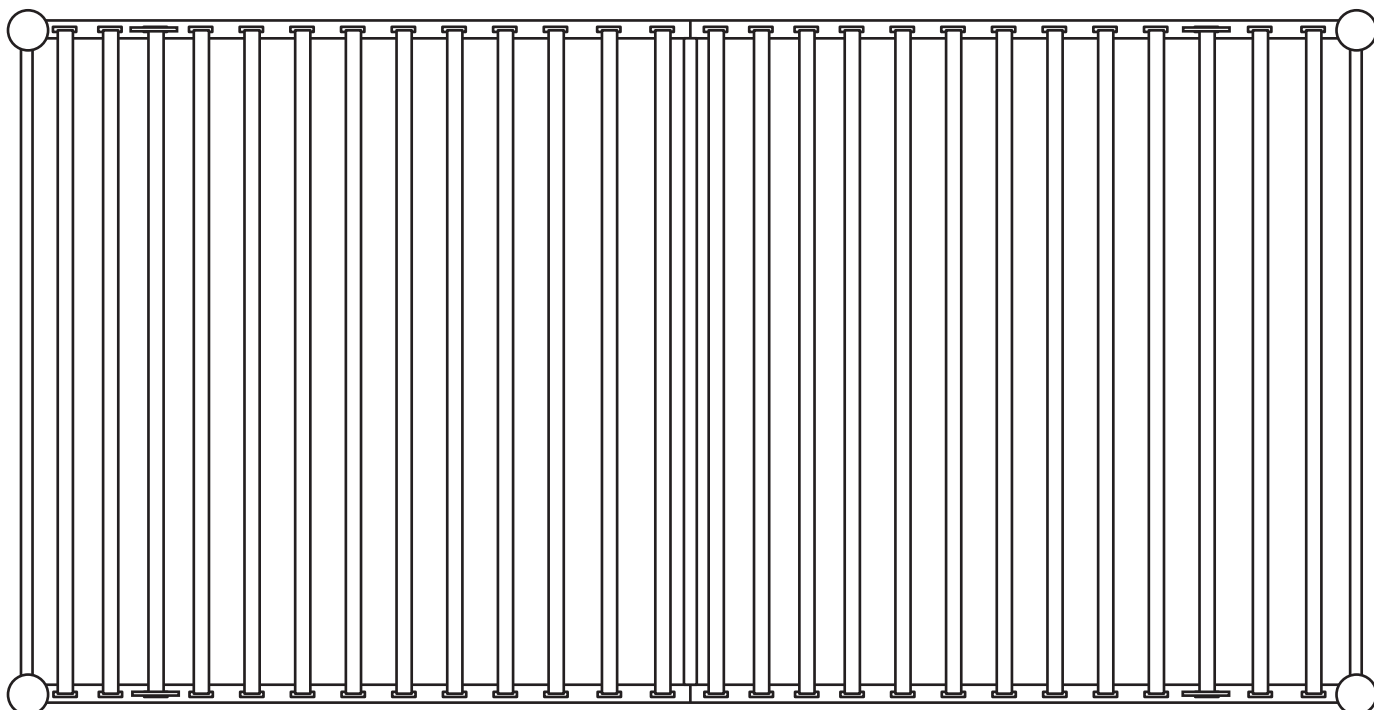
Butterfly Single Bed 3'0

Assembly Instructions - Please keep for future reference



Butterfly Single Bed 3'0

Assembly Instructions - Please keep for future reference



Safety and Care Advice

- Important: Please read these instructions fully before starting assembly.
- Do not discard any of the packaging until you have checked that you have all the parts and the pack of fittings.
- Assemble this product on a flat and protected surface.
- We recommend that this bed is a 2 person assembly but with a little extra time and care can easily be done on your own.
- Assemble this product in the room intended for use.

Warnings:

- This product should only be used on firm, level ground.

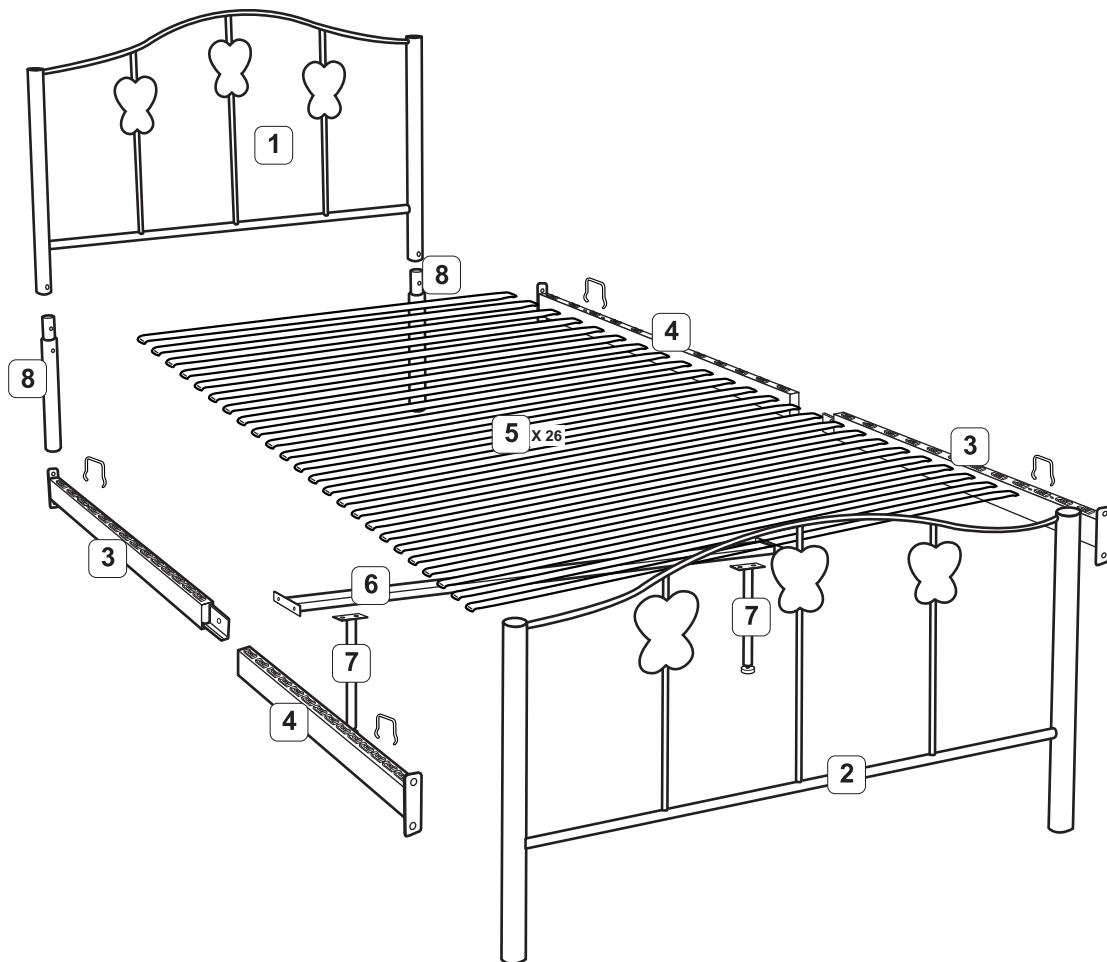
- Make sure the legs remain in contact with the ground.
- Do not stand on the product.

Care and maintenance:

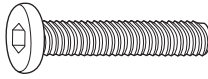
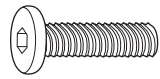
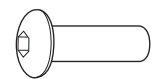
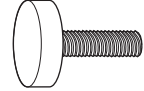
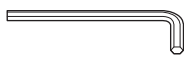
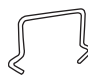
- Please clean the product using either damp (not wet) cloth and a mild domestic soap solution or by using an appropriate polish.
- Do not use abrasive materials when cleaning.
- From time to time, check that parts connections are tight and in place.
- This bed is recommended for children aged 4 and over. For use by children under 4, we recommend that you use a suitable guard rail that easily attaches to the bed to prevent the child from falling out of the bed.

Parts List

- | | |
|-----------------------------------|---------------------------------|
| 1 HEADBOARD - 1 pc. | 7 CENTER LEG - 2 pcs. |
| 2 FOOTBOARD - 1 pc. | 8 HEADBOARD LEG - 2 pcs. |
| 3 LONG SIDE RAIL - 2 pc. | |
| 4 SHORT SIDE RAIL - 2 pcs. | |
| 5 SLAT - 26 pcs. | |
| 6 CENTER RAIL - 1 pc. | |



Fittings List

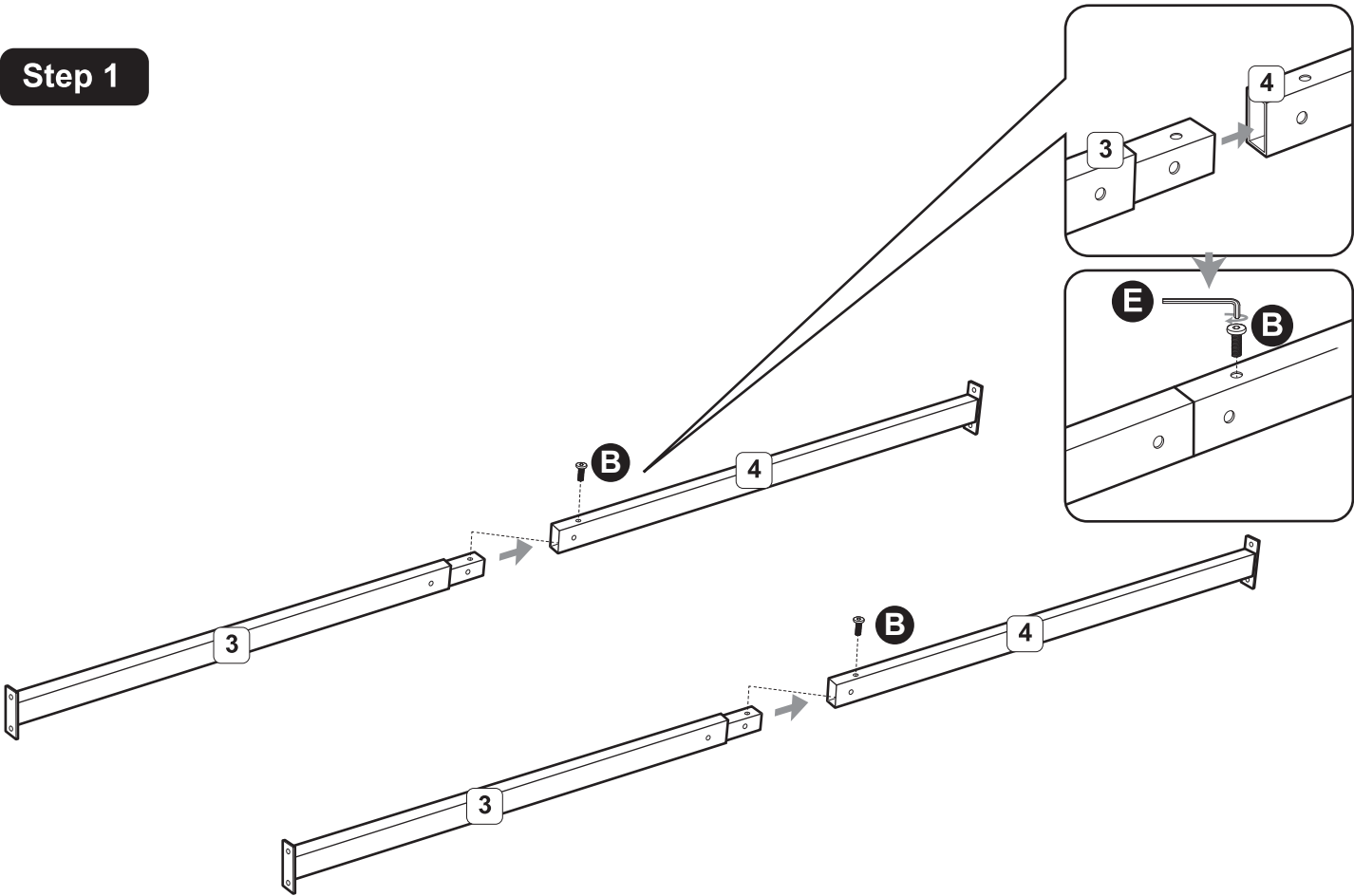
A  M6 x 25mm Bolt - 4 pcs.	B  M6 x 12mm Bolt - 14 pcs.	C  BOLT NUT - 4 pcs.
D  ADJUSTABLE FOOTING - 2 pcs.	E  ALLEN KEY - 2 pcs.	F  MATTRESS STOPPER - 4 pcs.

Additional Tools Required

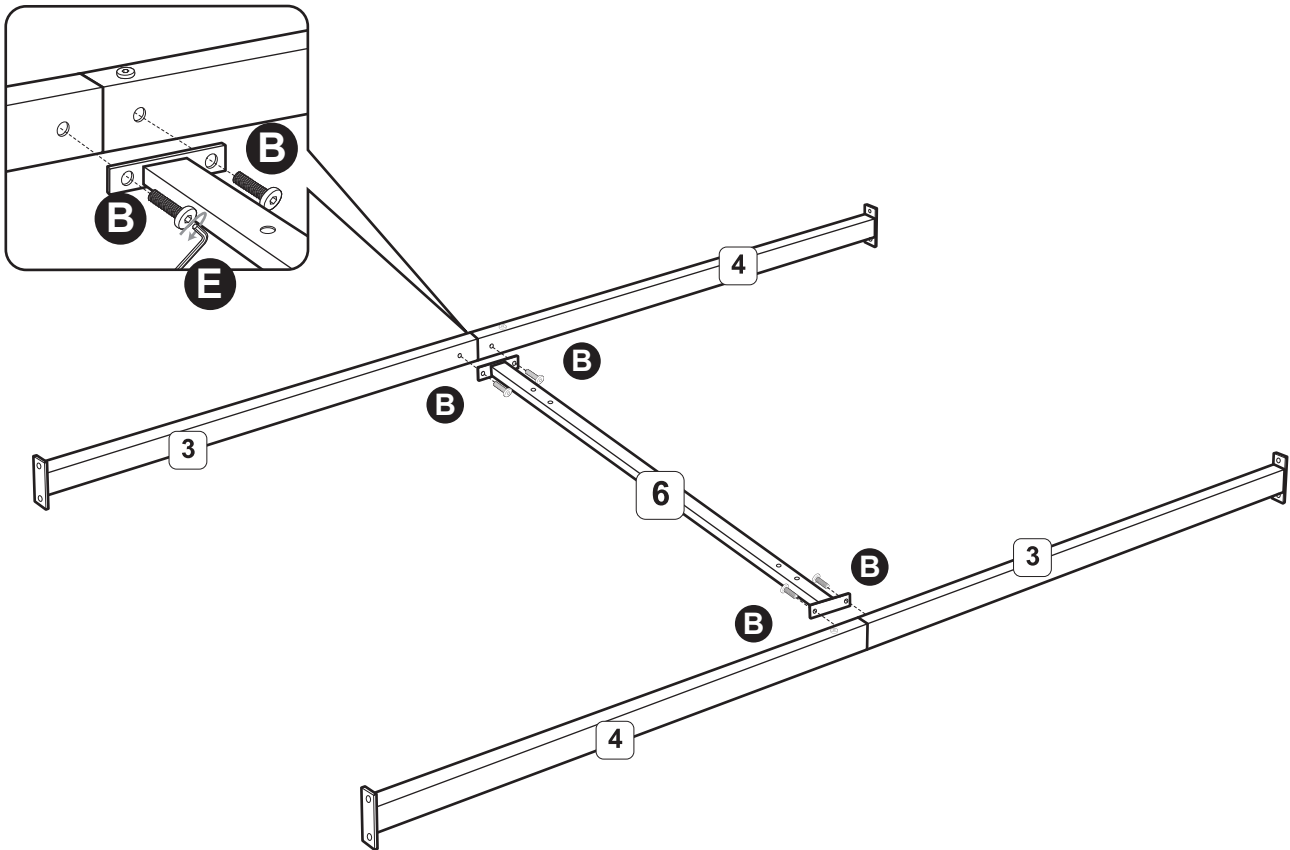


Ruler/tape
measure

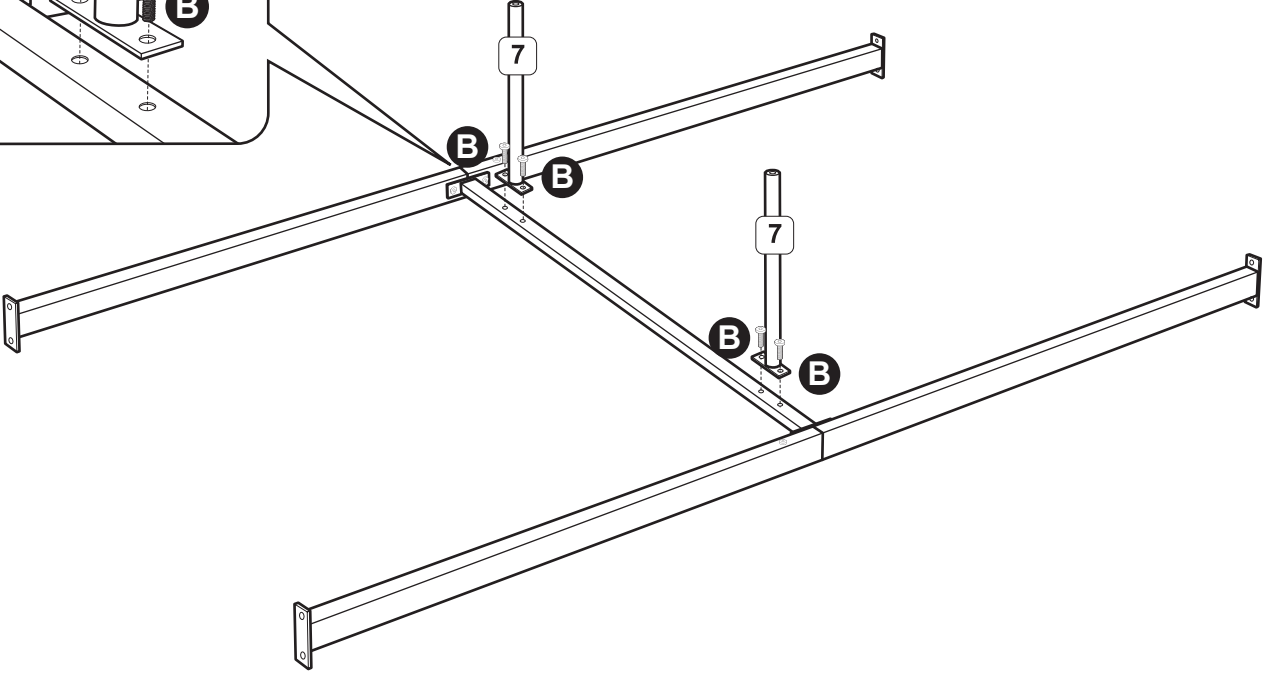
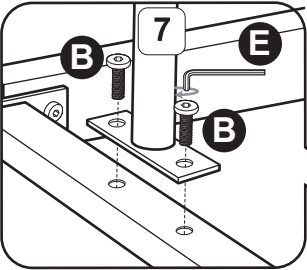
Step 1



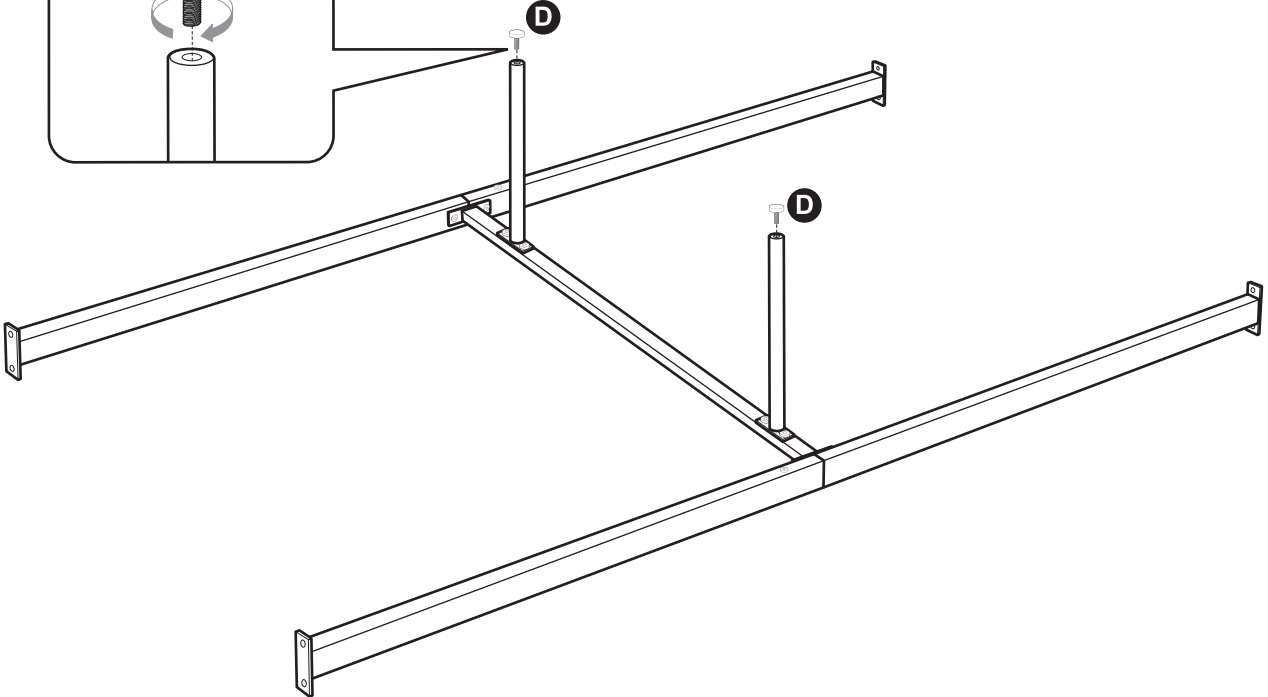
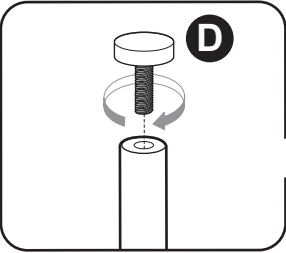
Step 2



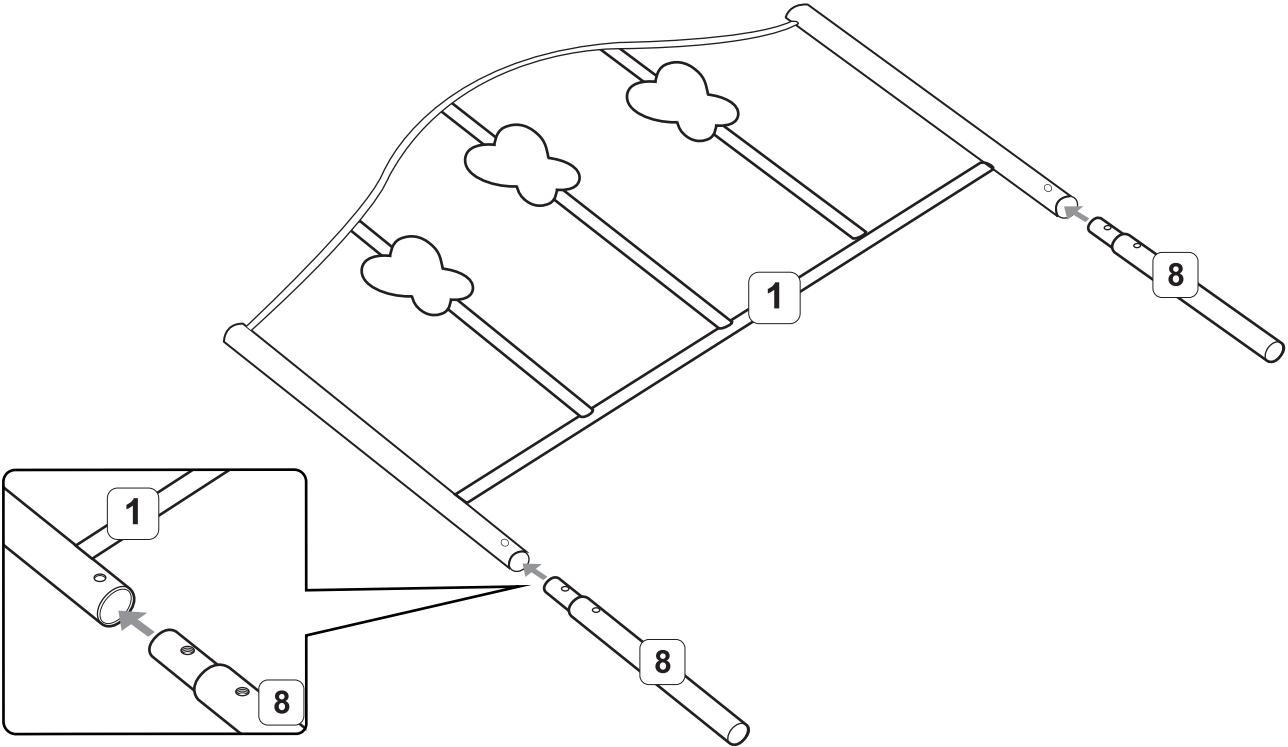
Step 3



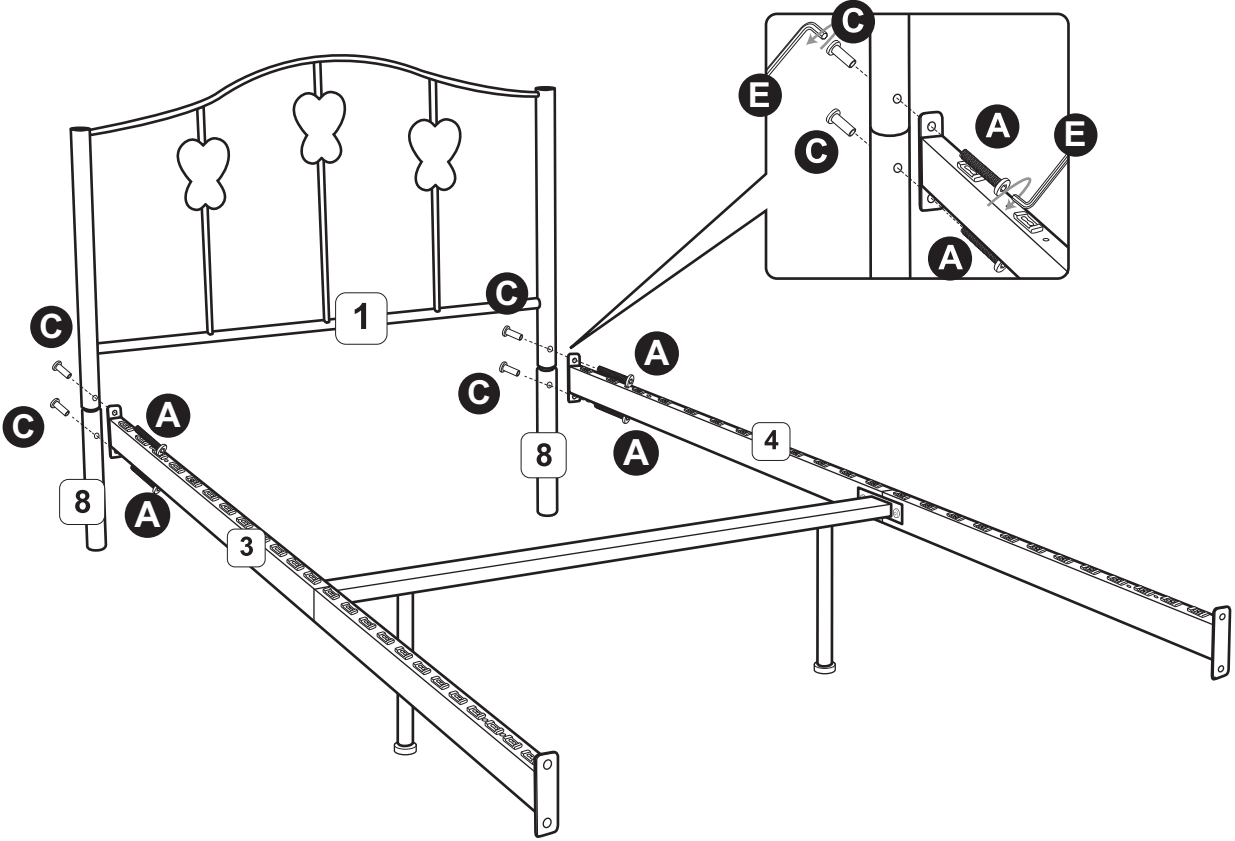
Step 4



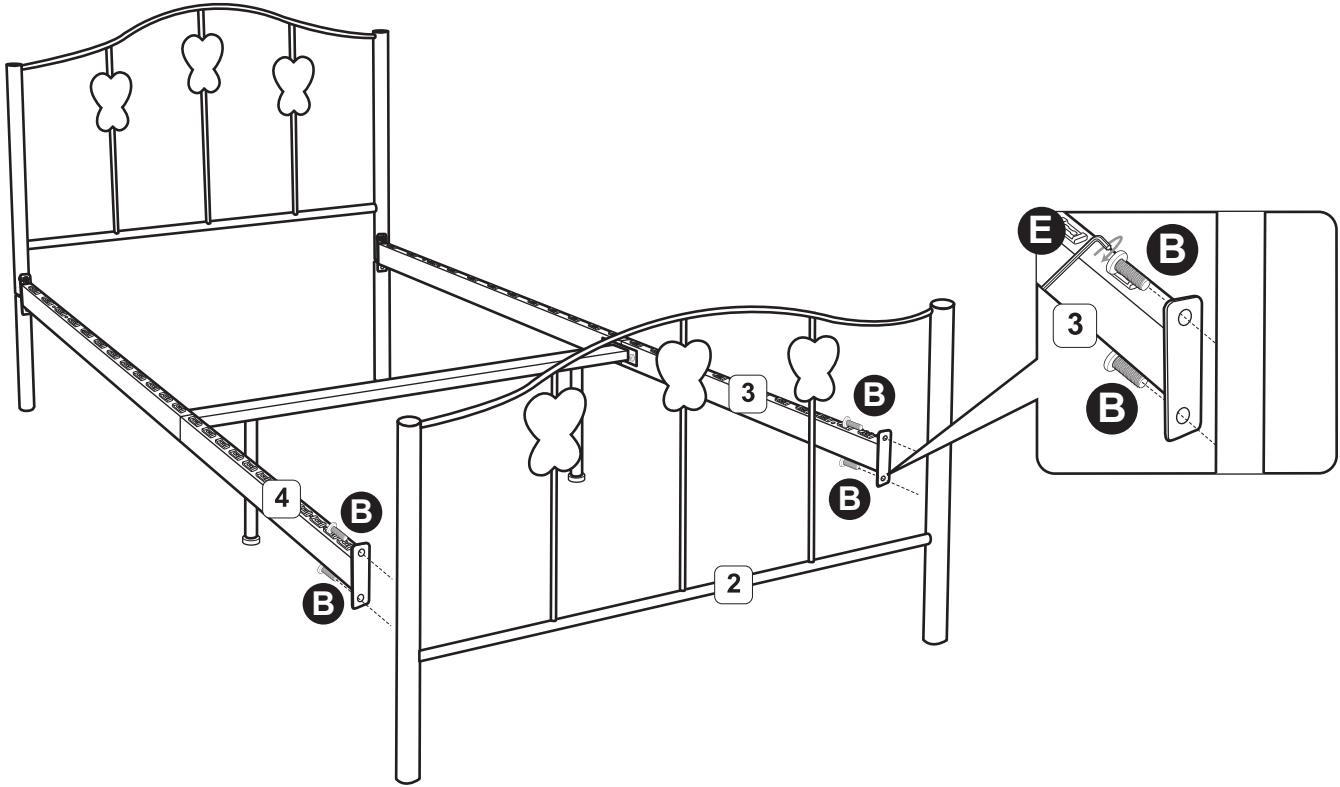
Step 5



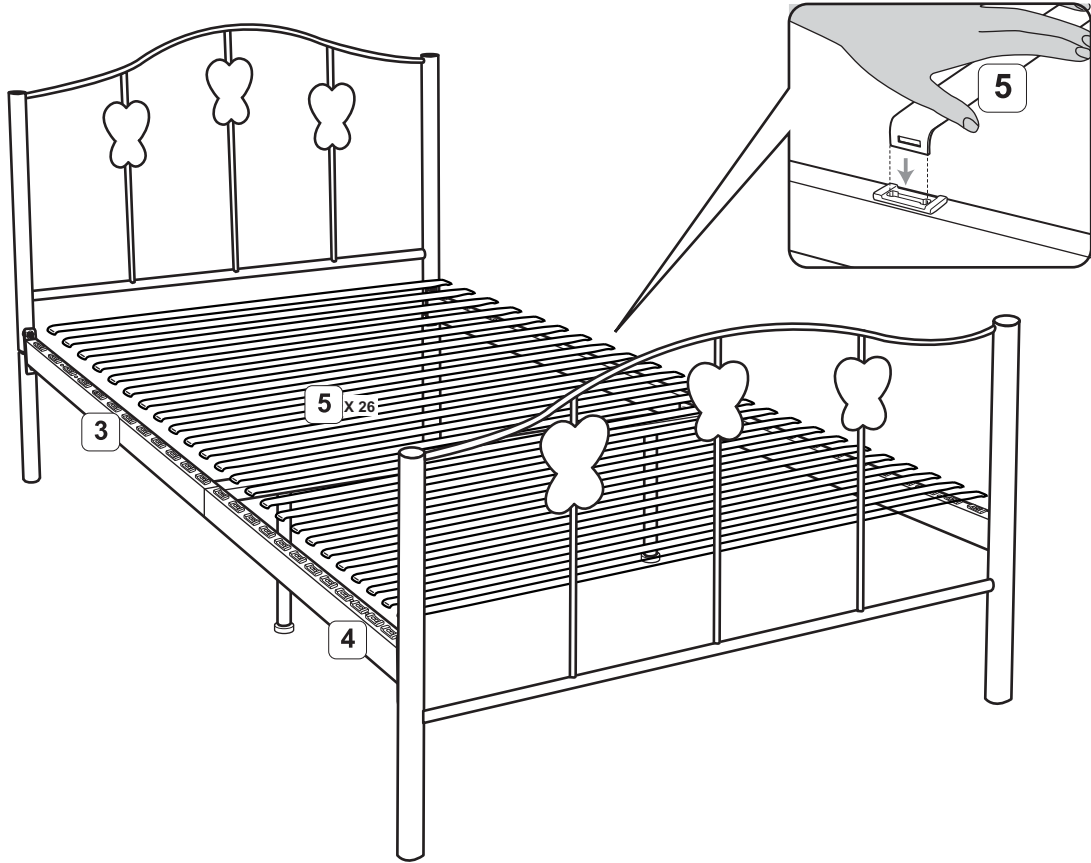
Step 6



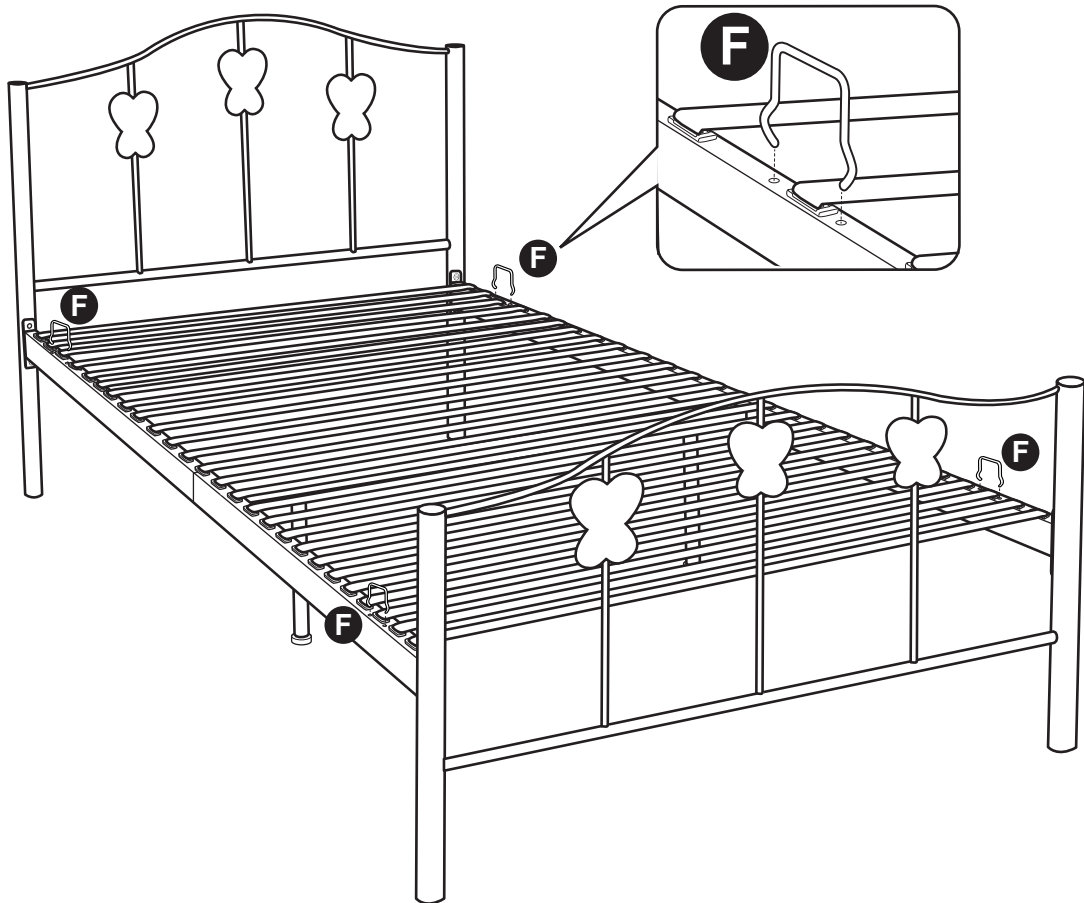
Step 7



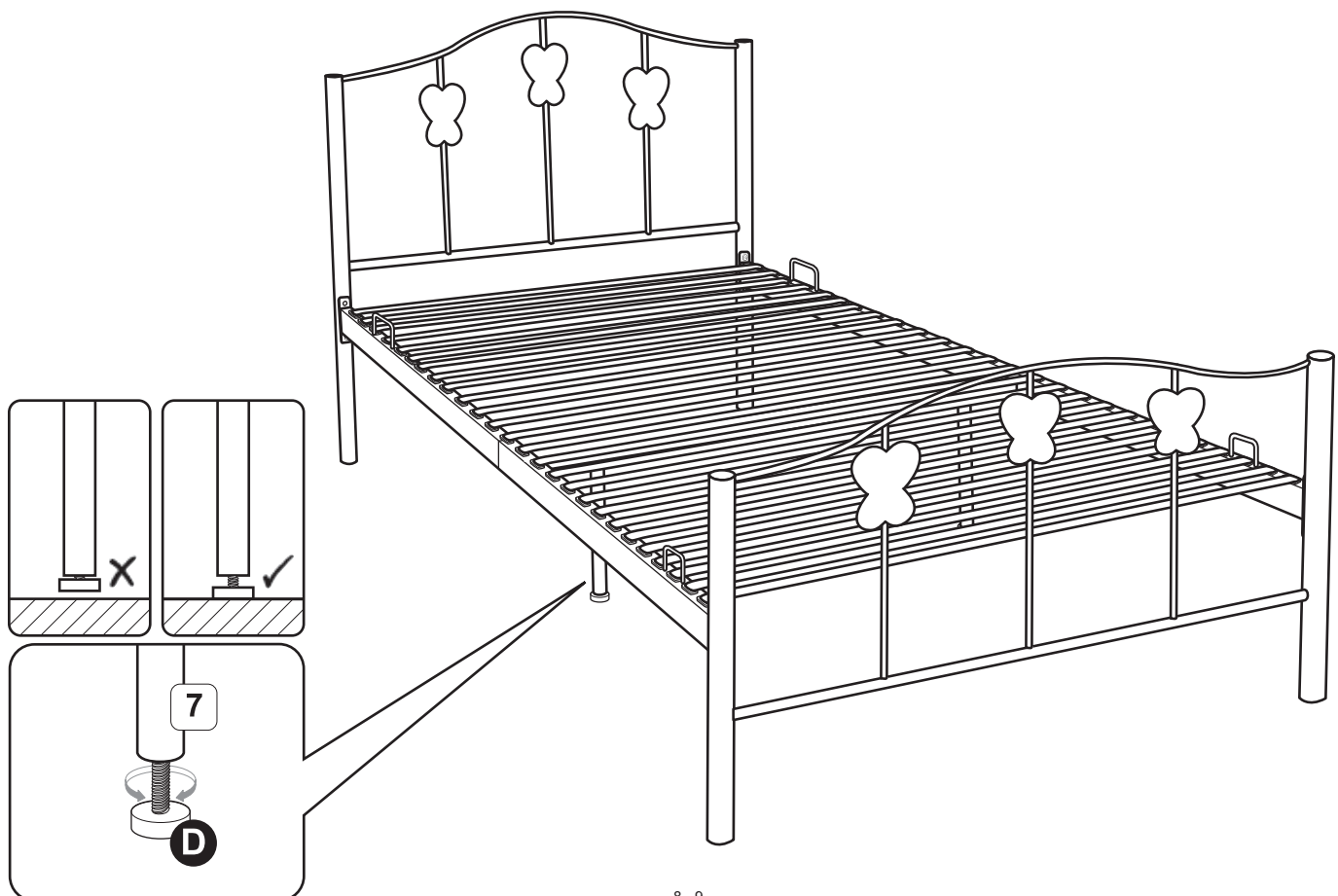
Step 8

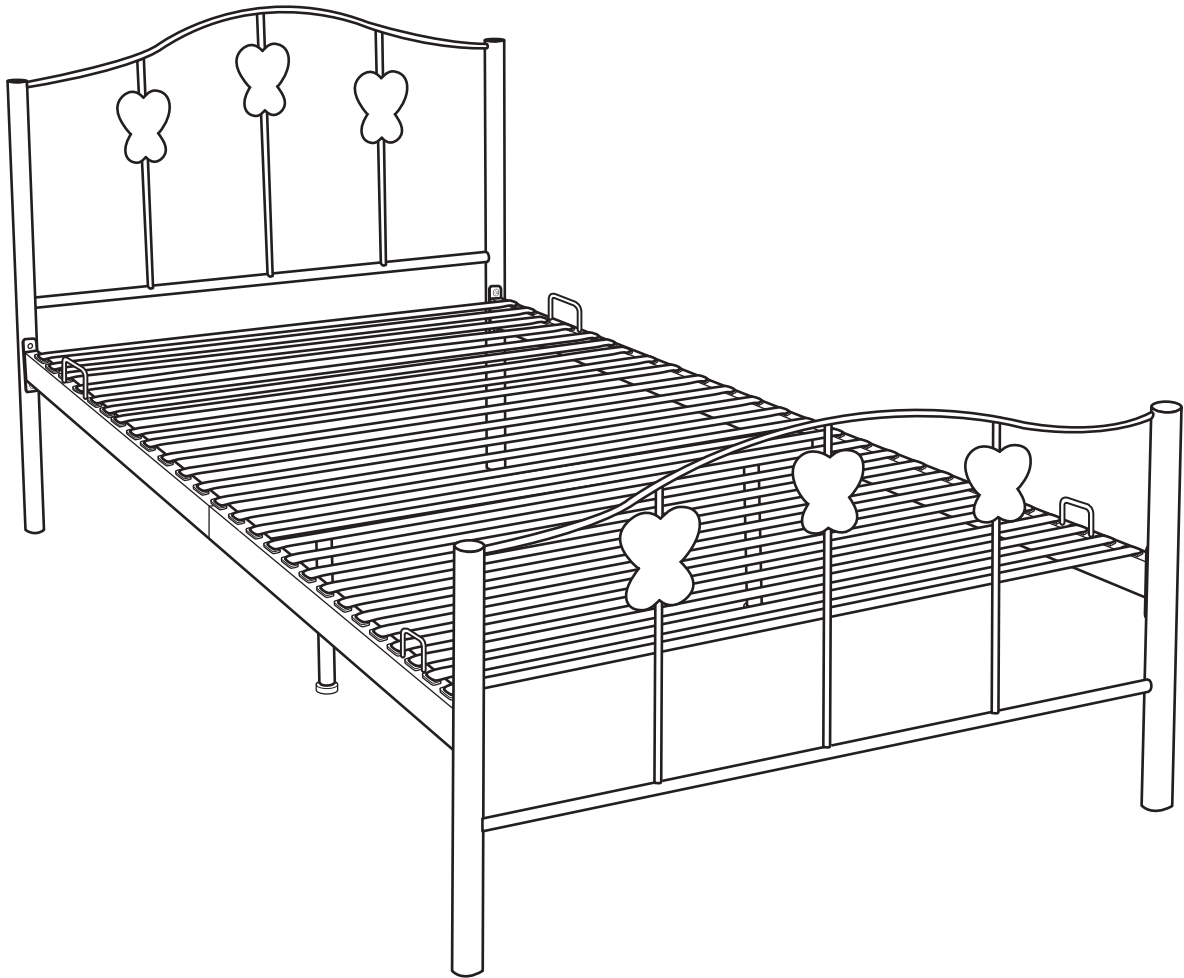


Step 9



Step 10





Assembly is complete.