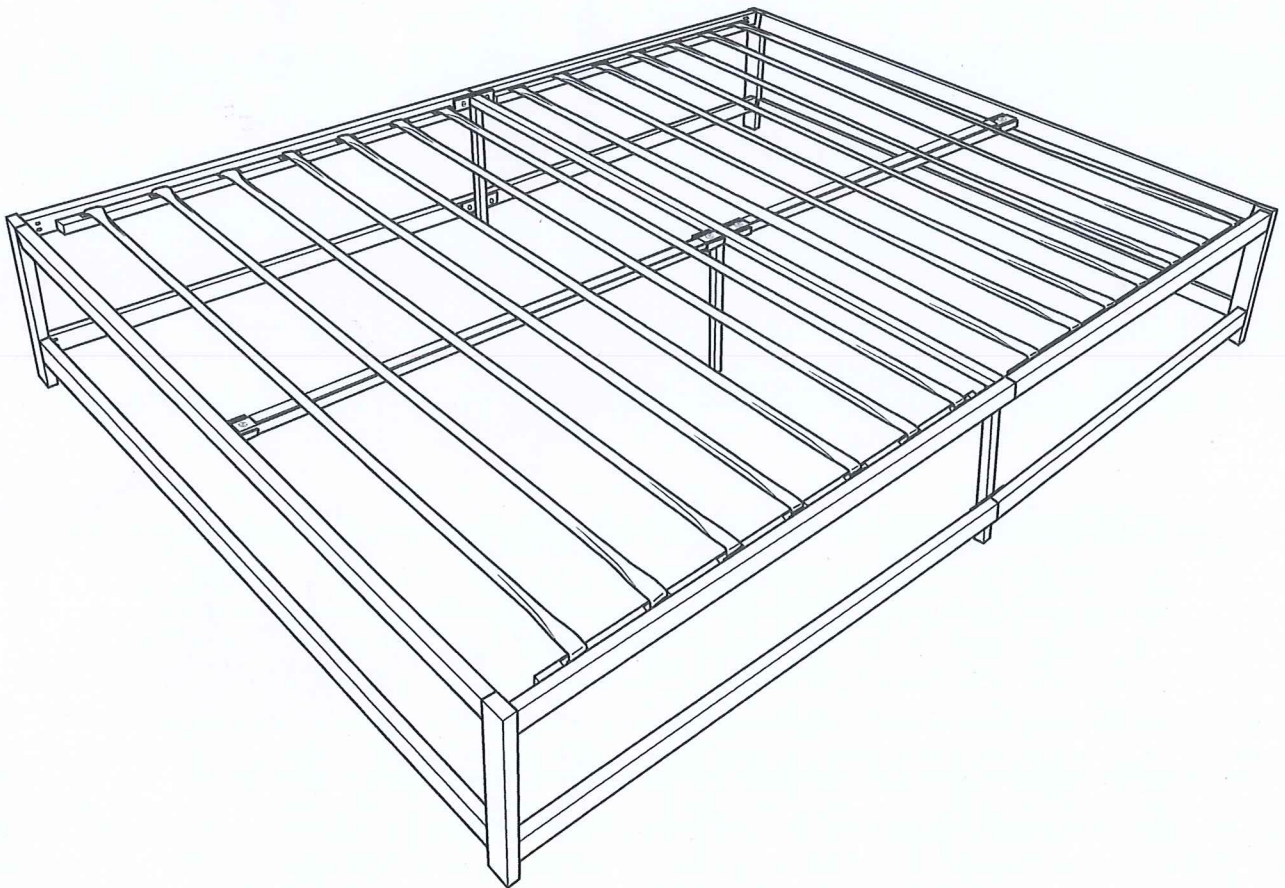


20230425

Dublin Platform Double Bed 4'6

Assembly Instructions - Please keep for future reference



Dublin Platform Double Bed 4'6

Assembly Instructions - Please keep for future reference

Safety and Care Advice

- Important: Please read these instructions fully before starting assembly.
- Do not discard any of the packaging until you have checked that you have all the parts and the pack of fittings.
- Assemble this product on a flat and protected surface.
- At least 2 people are required to assemble this product.
- Assemble this product in the room intended for use.

Warnings:

- This product should only be used on firm, level ground.

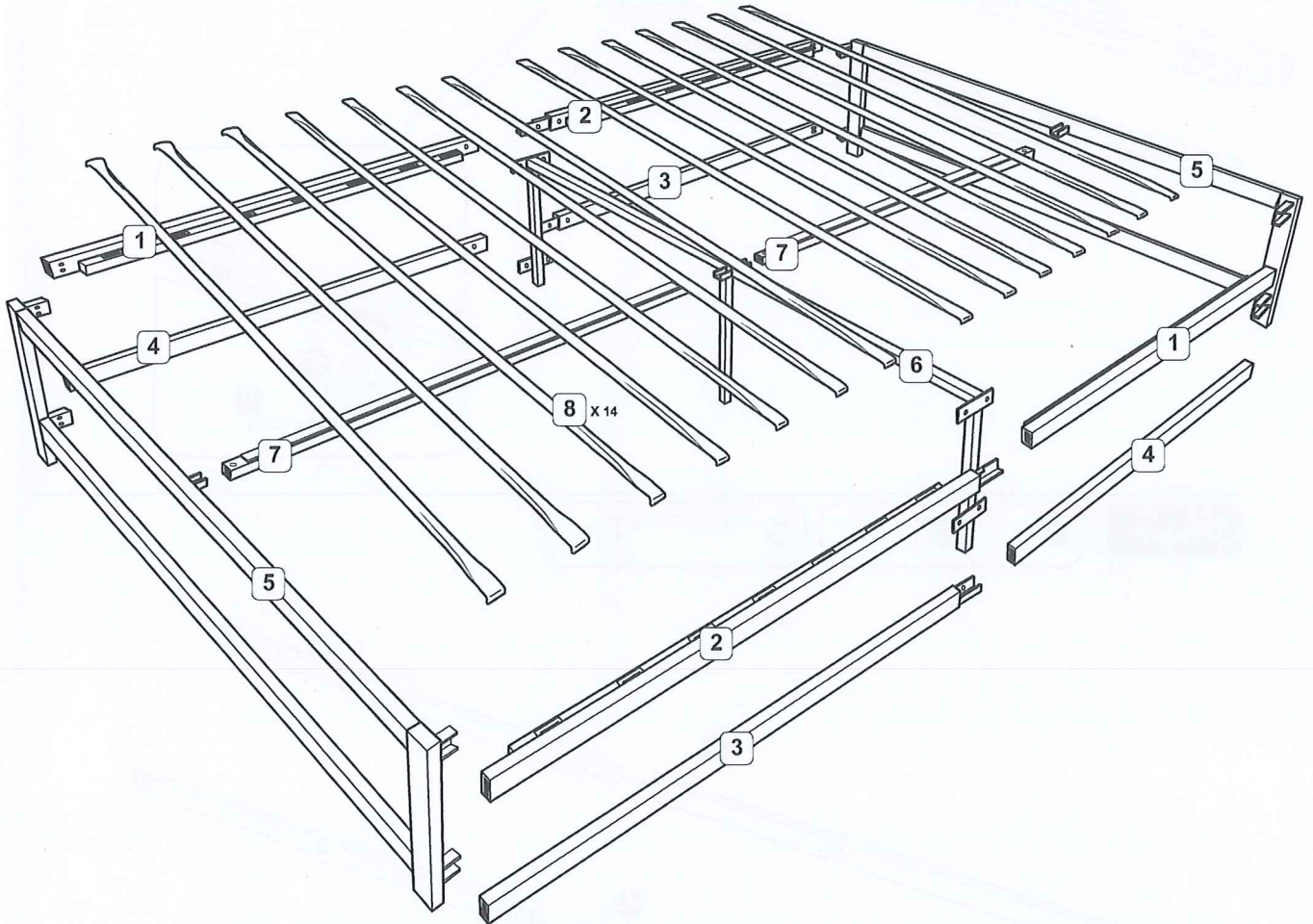
- Make sure the legs remain in contact with the ground.
- Do not stand on the product.

Care and maintenance:

- Please clean the product using either damp (not wet) cloth and a mild domestic soap solution or by using an appropriate polish.
- Do not use abrasive materials when cleaning.
- From time to time, check that parts connections are tight and in place.

Parts List

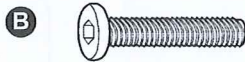
- | | | | |
|---|--------------------------|---|------------------------------|
| 1 | SHORT SIDE RAIL - 2 pcs. | 5 | HEADBOARD FOOTBOARD - 2 pcs. |
| 2 | LONG SIDE RAIL - 2 pc. | 6 | CENTER SUPPORT LEG - 1 pcs. |
| 3 | LONG SIDE RAIL - 2 pc. | 7 | CENTER RAIL - 2 pcs. |
| 4 | SHORT SIDE RAIL - 2 pcs. | 8 | BED SLAT - 14 pcs. |



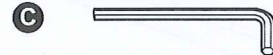
Fittings List



Bolt M6x12 - 28 pcs.

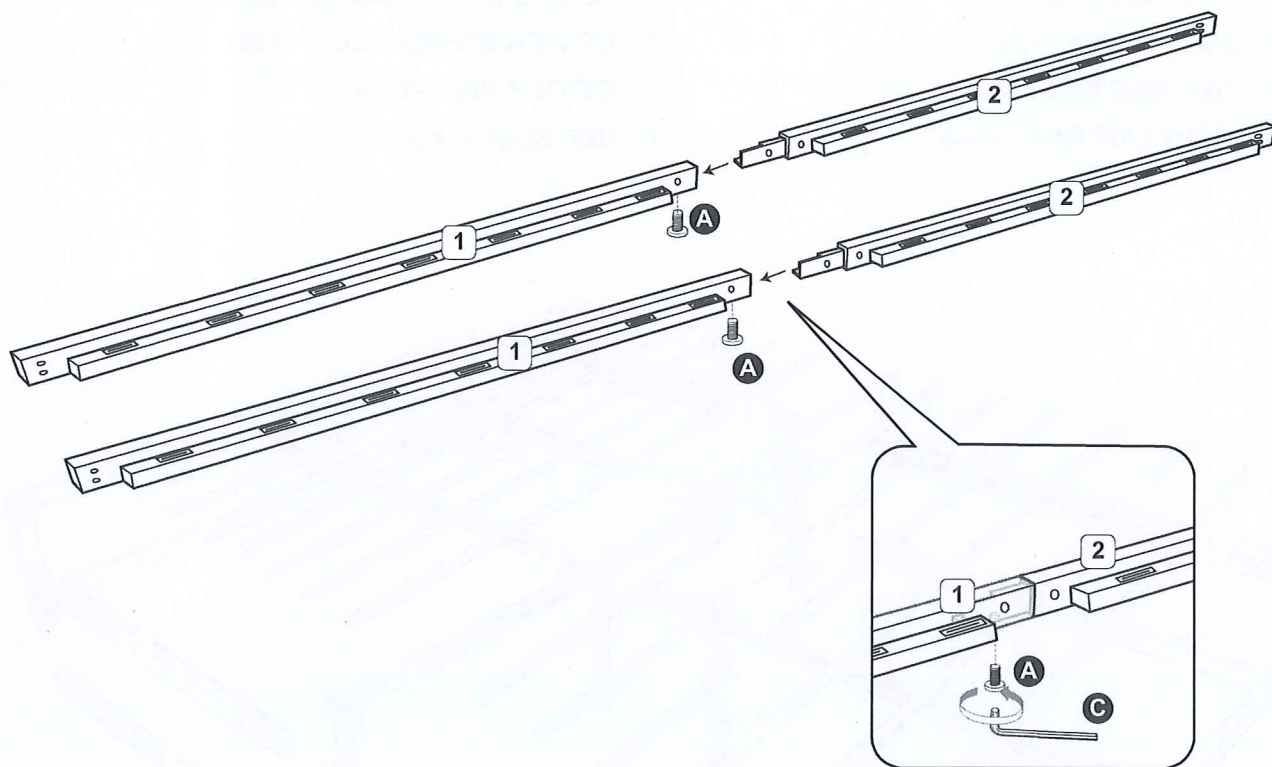


Bolt M6x25 - 4 pcs.

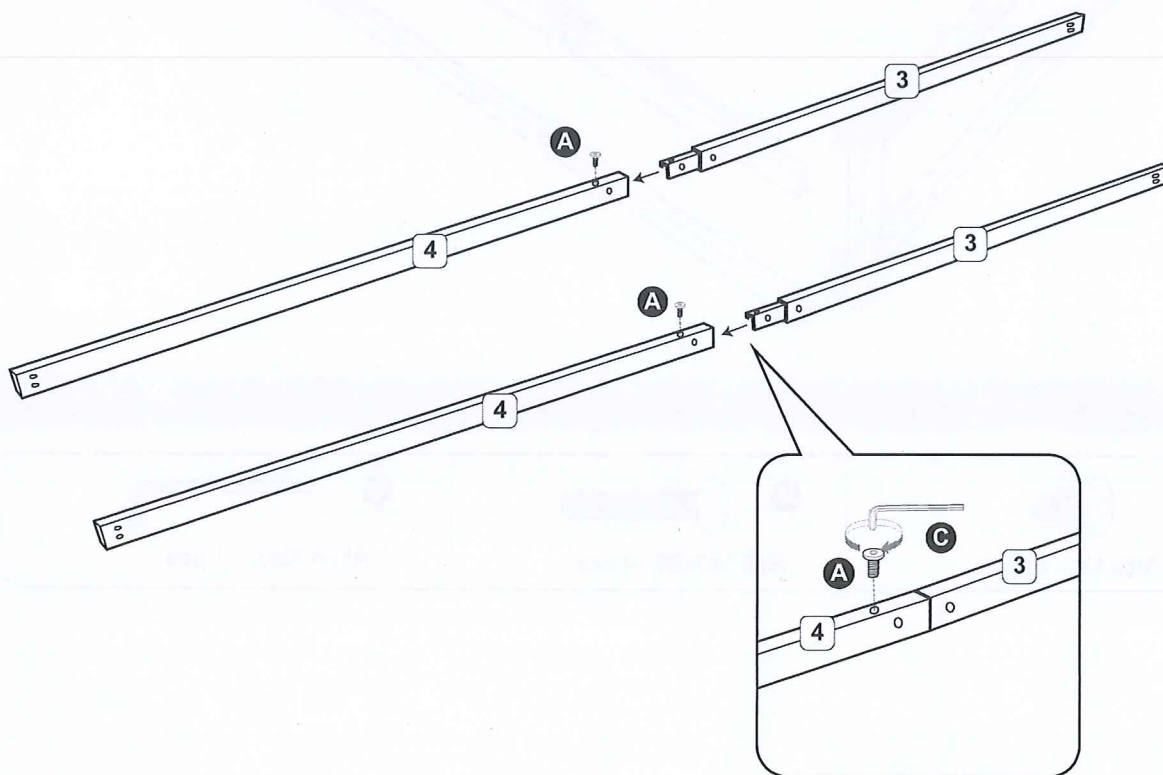


Allen Key - 1 pcs.

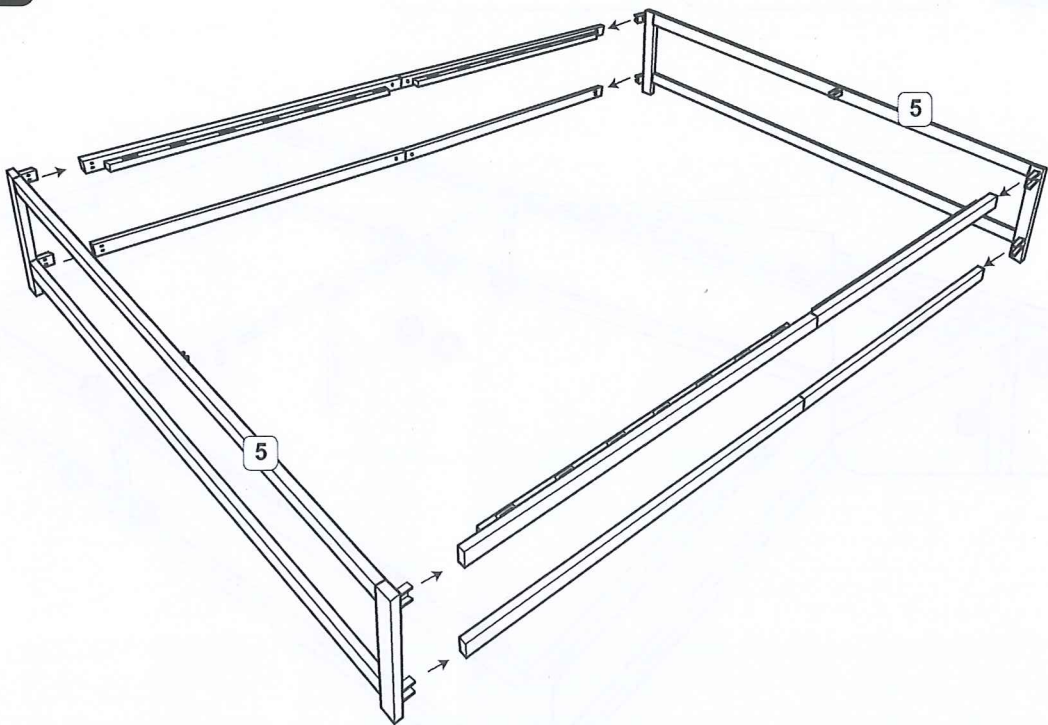
Step 1



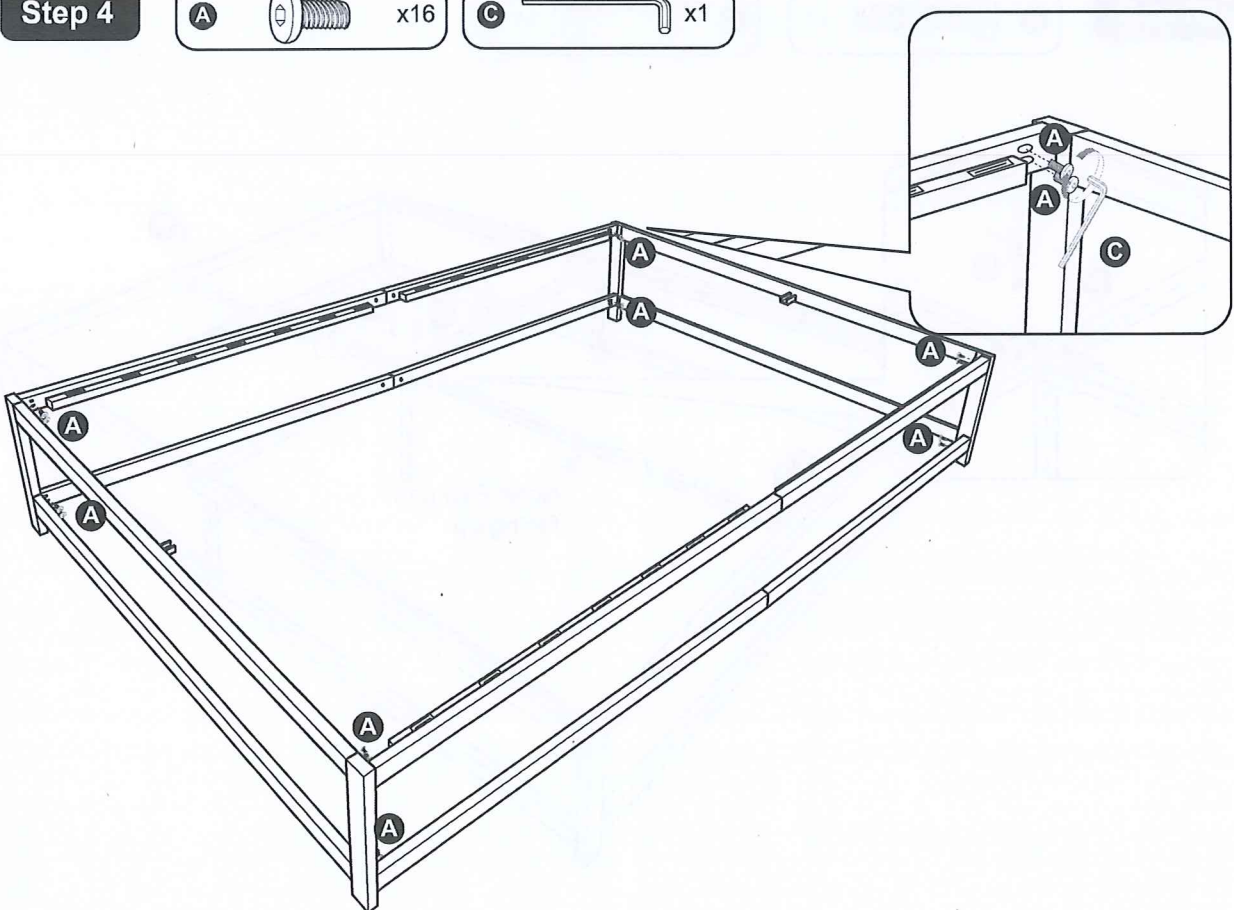
Step 2



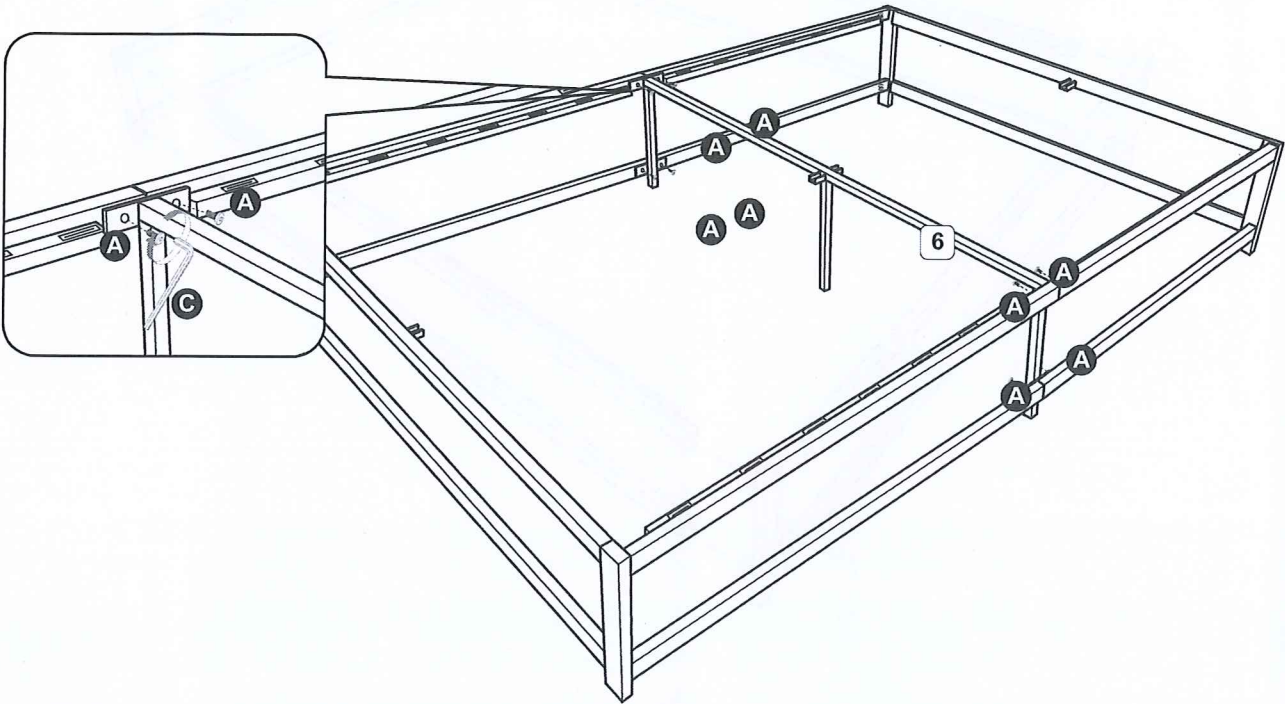
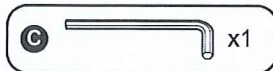
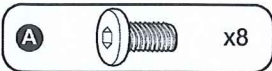
Step 3



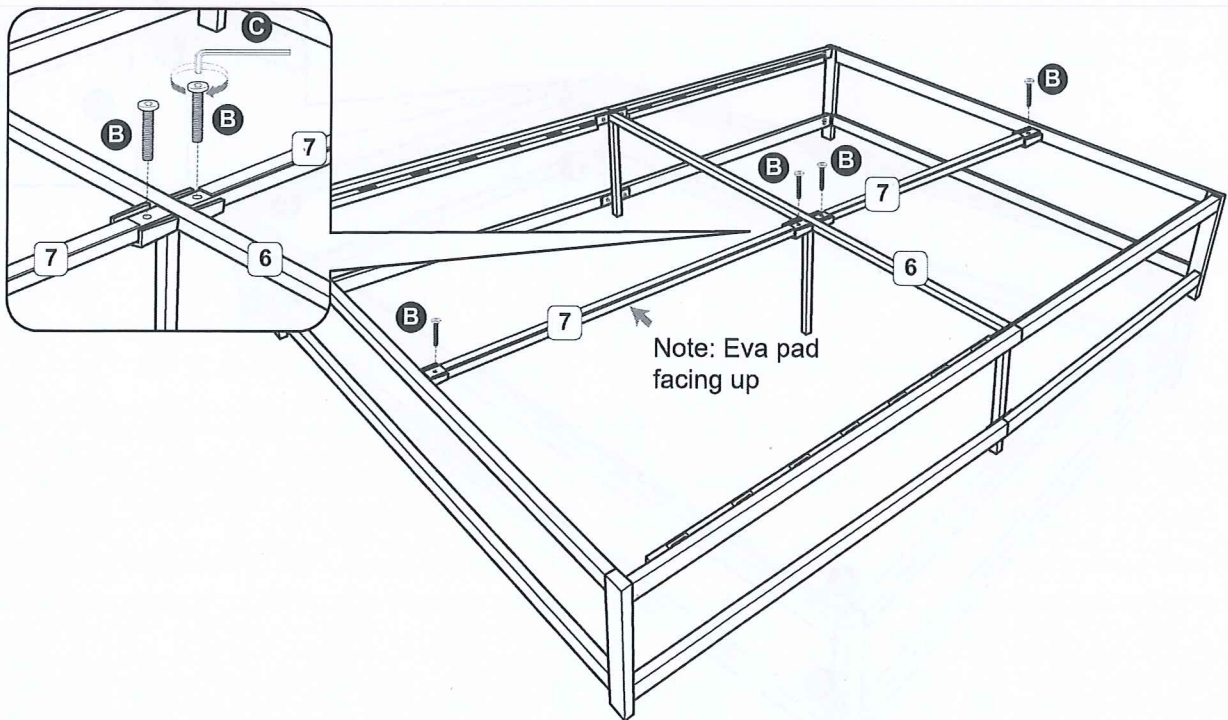
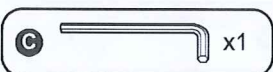
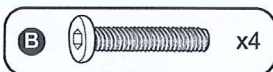
Step 4



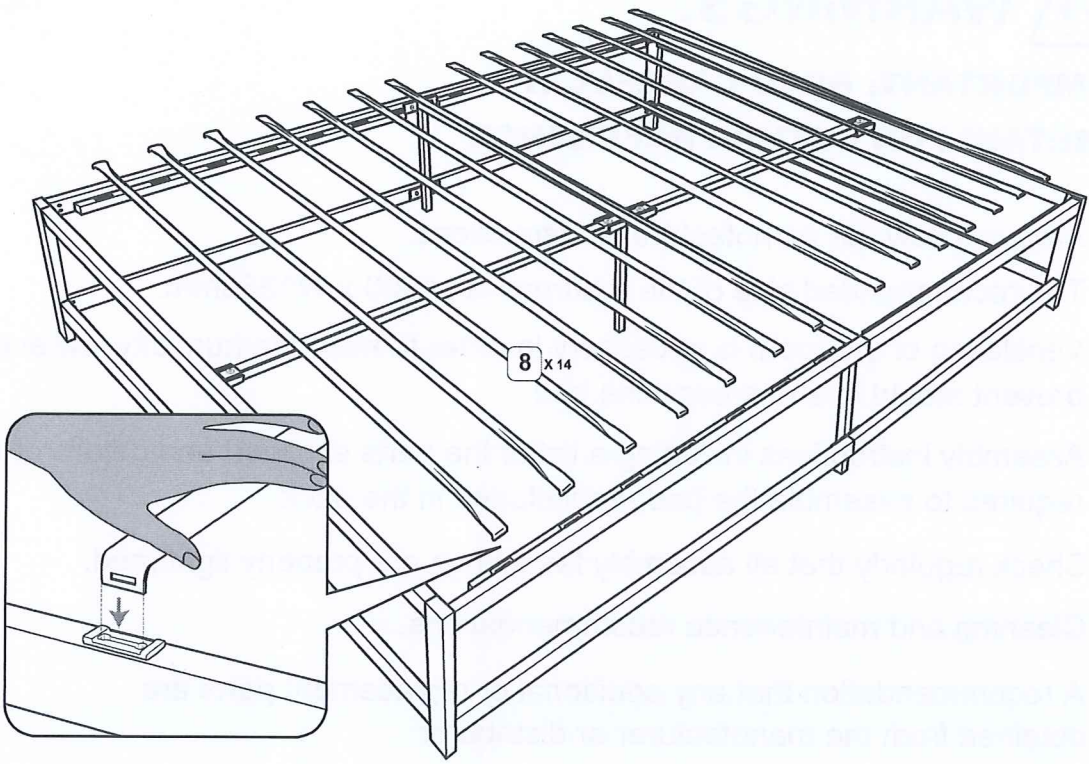
Step 5



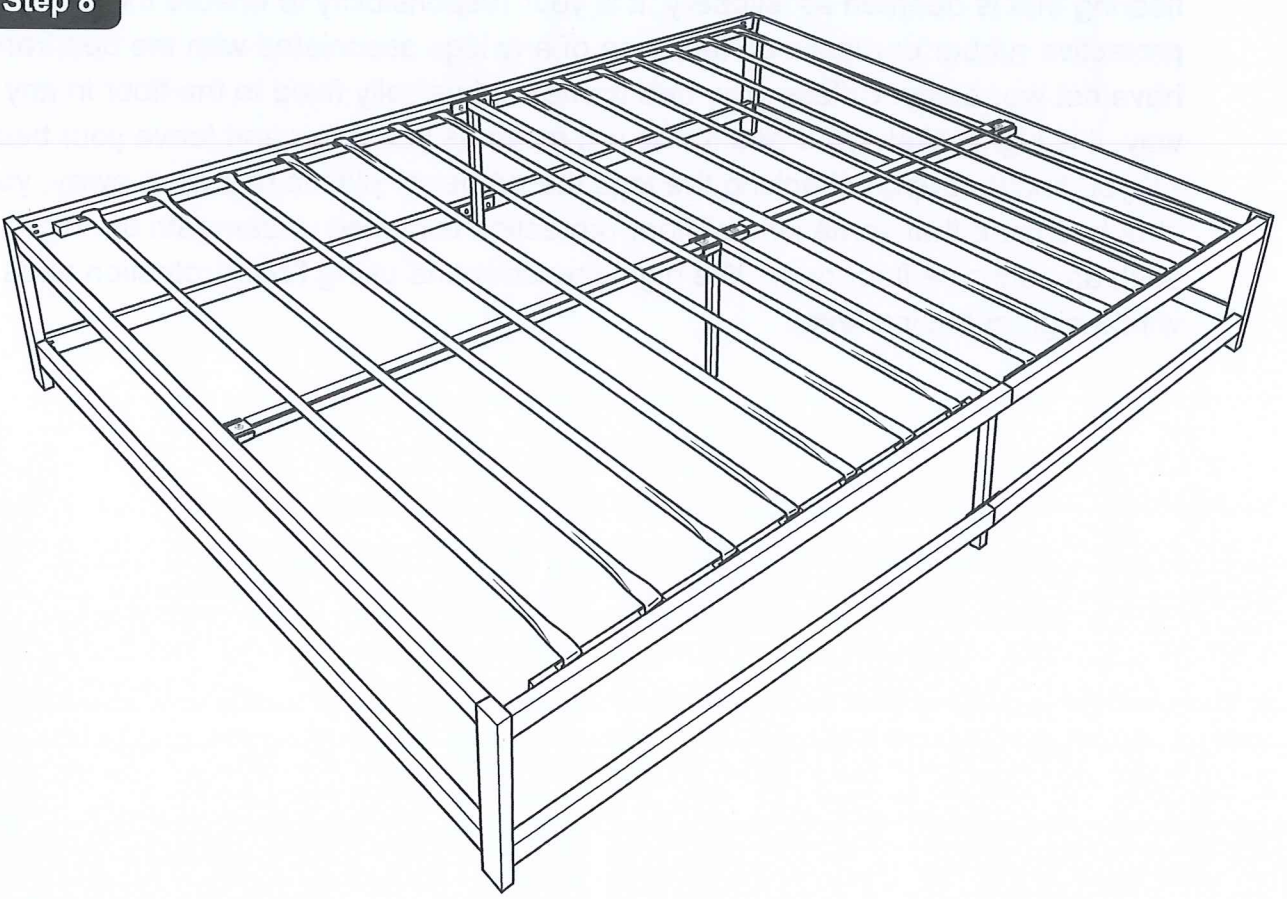
Step 6



Step 7



Step 8





WARNINGS:

IMPORTANT: READ CAREFULLY

RETAIN FOR FUTURE REFERENCE

- Always follow the manufacturer's instructions.
- The recommended size of the mattress is L1900 x W1350mm.
- Ventilation of the room is necessary in order to keep the humidity low and to prevent mould in and around the bed.
- Assembly instructions including a list of the parts supplied and details of any tools required to assemble the bed are included in the pack.
- Check regularly that all assembly fastenings are properly tightened.
- Cleaning and maintenance recommendations.
- A recommendation that any additional or replacement parts are obtained from the manufacturer or distributor.

PLEASE NOTE: If your bed legs are placed onto a wooden floor, or any type of flooring that is deemed as 'slippery', it is your responsibility to ensure that the protective rubber or plastic on the base of any legs associated with the bed frame have not worn away. Unless your bed frame is physically fixed to the floor in any way, it is highly likely your bed frame will move as you enter and leave your bed.

- If you find that upon checking the legs the rubber or plastic has worn away, you should ensure that some kind of floor protection is placed underneath the legs, such as adhesive floor pads. We highly recommend using floor protection pads with a high adhesion level.