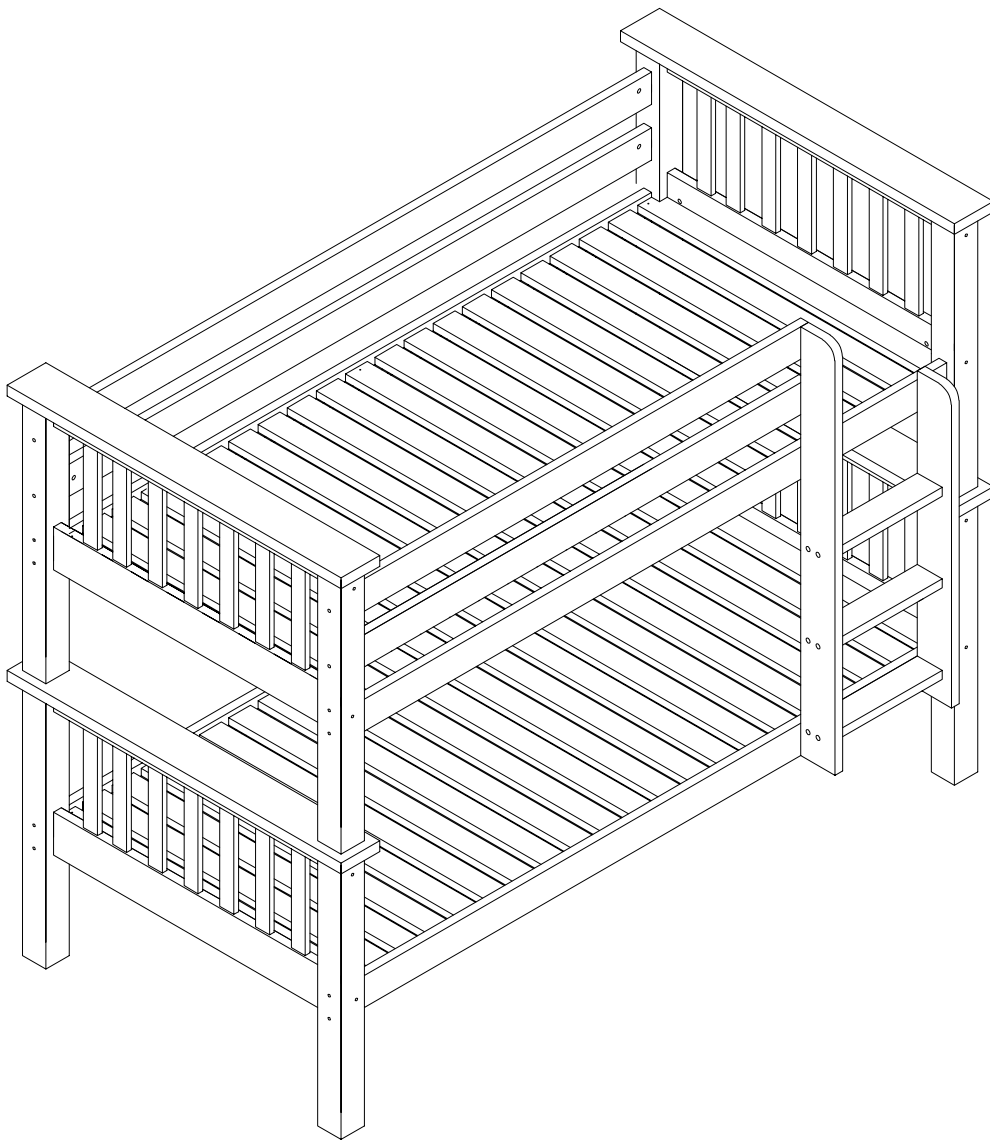


# Assembly instructions

## Lucca Bunk Bed 3'0



## ASSEMBLY INSTRUCTIONS

BS EN747-1:2012+A 1:2015 SAFETY WARNING AND GENERAL NOTES: IMPORTANT -  
READ CAREFULLY - RETAIN FOR FUTURE REFERENCE

**PLEASE READ** this sheet prior to assembly to familiarise yourself with the various stages of construction. Carefully open the pack supplied and check the contents against the parts and fitting check list. Do not destroy any of the packing until you are certain that you have all the necessary parts for assembly.

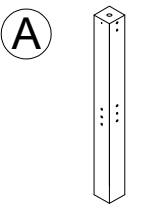
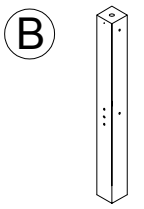
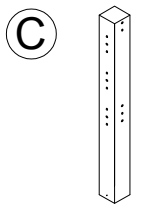
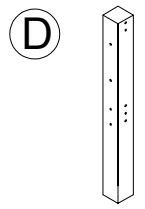
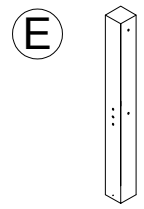
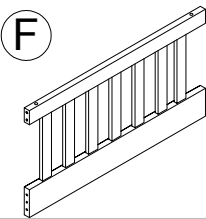
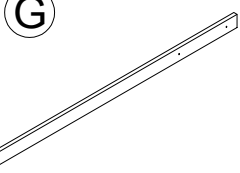
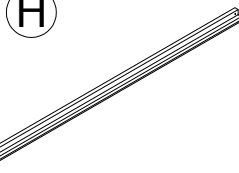
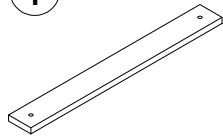
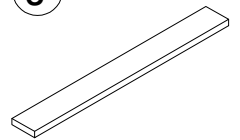
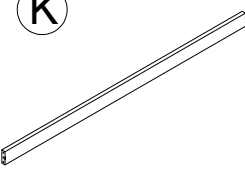
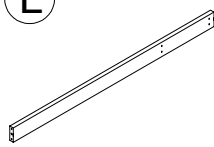
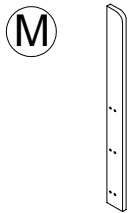
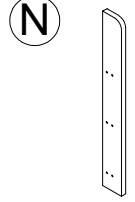
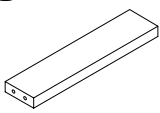
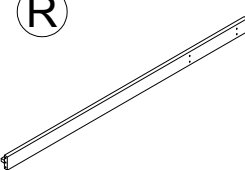
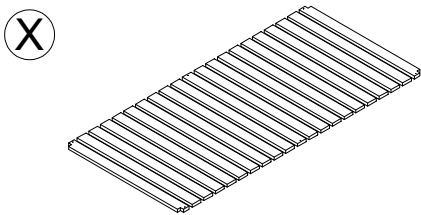
**CAUTION:** There are small components used in the construction of this unit. These loose items should be kept away from young children whilst assembling your unit to avoid the danger of choking hazards.

### **WARNING:**

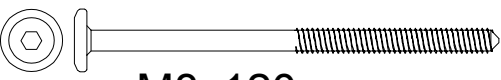
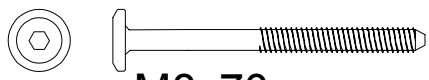
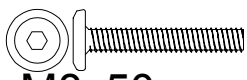
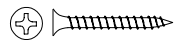
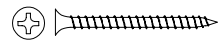
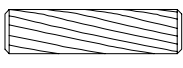


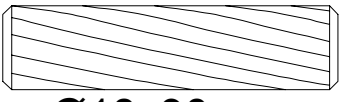
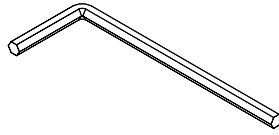
- Due to the size of this product we recommend that it is assembled in the room intended for use.
- This product should only be used on firm, level ground.
- DO NOT** use power tools to construct this product.
- DO NOT** over tighten the screw or bolts.
- DO NOT** tighten screws until the product is fully assembled.
- DO NOT** use solvent based cleaners or detergents as this can bleach and caused damages.
- Never use scourer, abrasives or chemical cleaners, only clean with sponge wipe and warm soapy water.
- High beds and the upper bed of the bunk beds are not suitable for children under six years due to the risk of injury from falls;
- Bunk beds and high beds can be present a serious risk of injury from strangulation if not used correctly. Never attach or hang items to any part of the bunk bed that are not designed to be used with the bed, for example, but not limited to ropes, strings, cords, hooks, belts and bags;
- Children can be trapped between the bed and wall, a roof pitch, the ceiling, adjoining pieces of furniture (e.g. cupboards) and the like. To avoid risk of serious injury the distance between the top safety barrier and the adjoining structure shall not exceed 75mm or shall be more than 230mm;
- Use the ladder to get in and out of the upper bed.
- Do not use the bunk bed/high bed if any structural part are missing, damaged or worn;
- Always follow the manufacturer's instruction
- Ensure thickness of mattress below the mark that had been made at the entrance of the upper bunk.
- Ensure the ventilation of the room is necessary in order to keep the humidity low and to prevent, mould in and around the bed.
- Ensure the support legs remain in contact with the ground at all times, and always use the ladder for entering and leaving the high bed and upper bunk.
- Ensure all screws or bolts are tightened and inspect regularly.
- Recommended size of top mattress 190(L) X 92.5(W) cm.
- Recommended size of bottom mattress 190(L) X 92.5(W) cm.
- Thickness of mattress 12-20 cm.



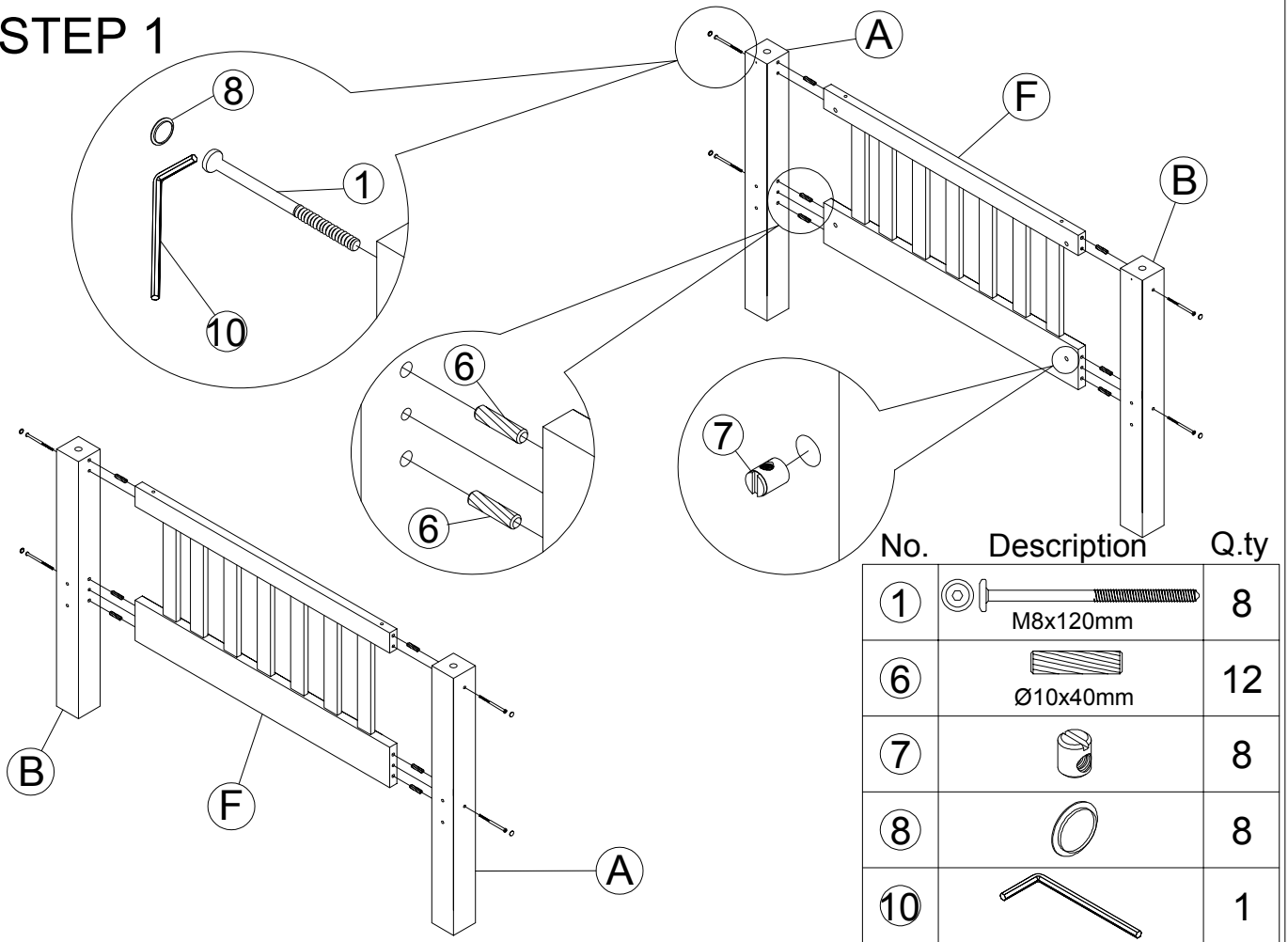
# parts list & illustration

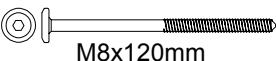




				
2 pcs	2 pcs	2 pcs	1 pc	1 pc
				
4 pcs	1 pc	2 pcs	2 pcs	2 pcs
				
2 pcs	2 pcs	1 pc	1 pc	3 pcs
				
1 pc	2 pcs			

# hardware & illustration

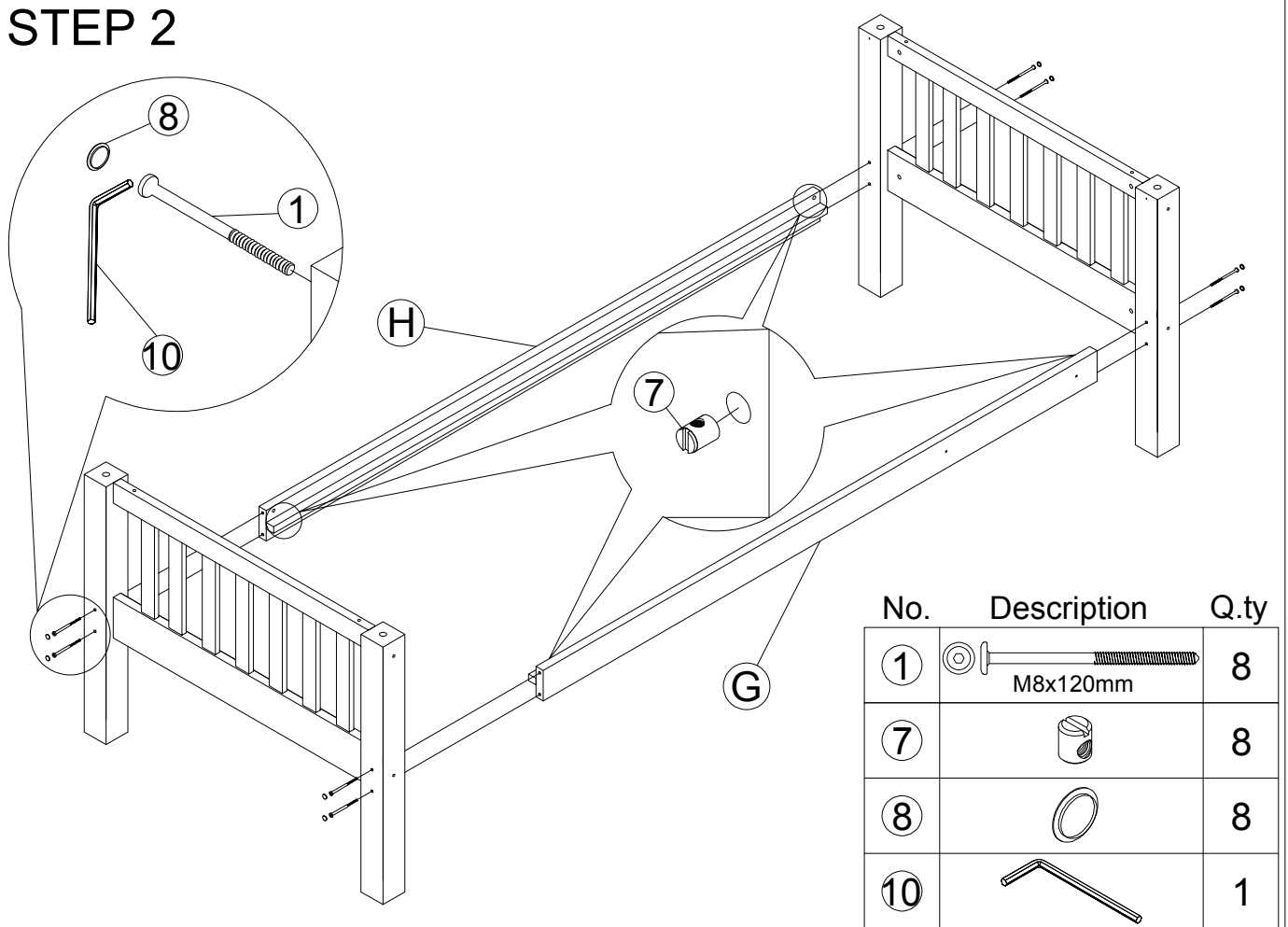
 M8x120mm		 M8x70mm		 M8x50mm	
①	38 pcs	②	20 pcs	③	10 pcs
 M4x30mm		 M4x40mm		 Ø10x40mm	
④	12 pcs	⑤	8 pcs	⑦	50 pcs
					
 Ø18x90mm					
⑨	4 pcs	⑩	1 pc		

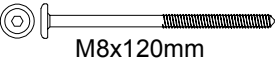



# STEP 1



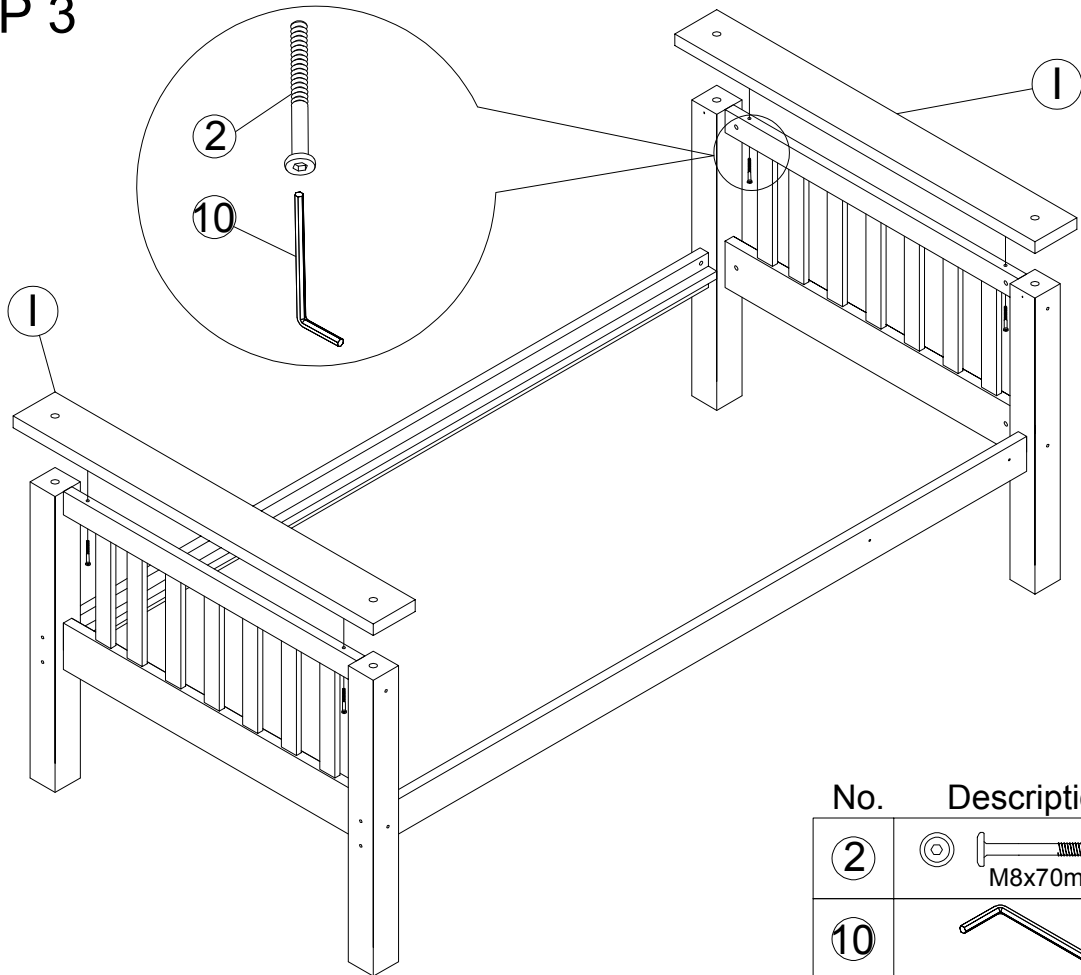
No.	Description	Q.ty
①	 M8x120mm	8
⑥	 Ø10x40mm	12
⑦		8
⑧		8
⑩		1



# STEP 2



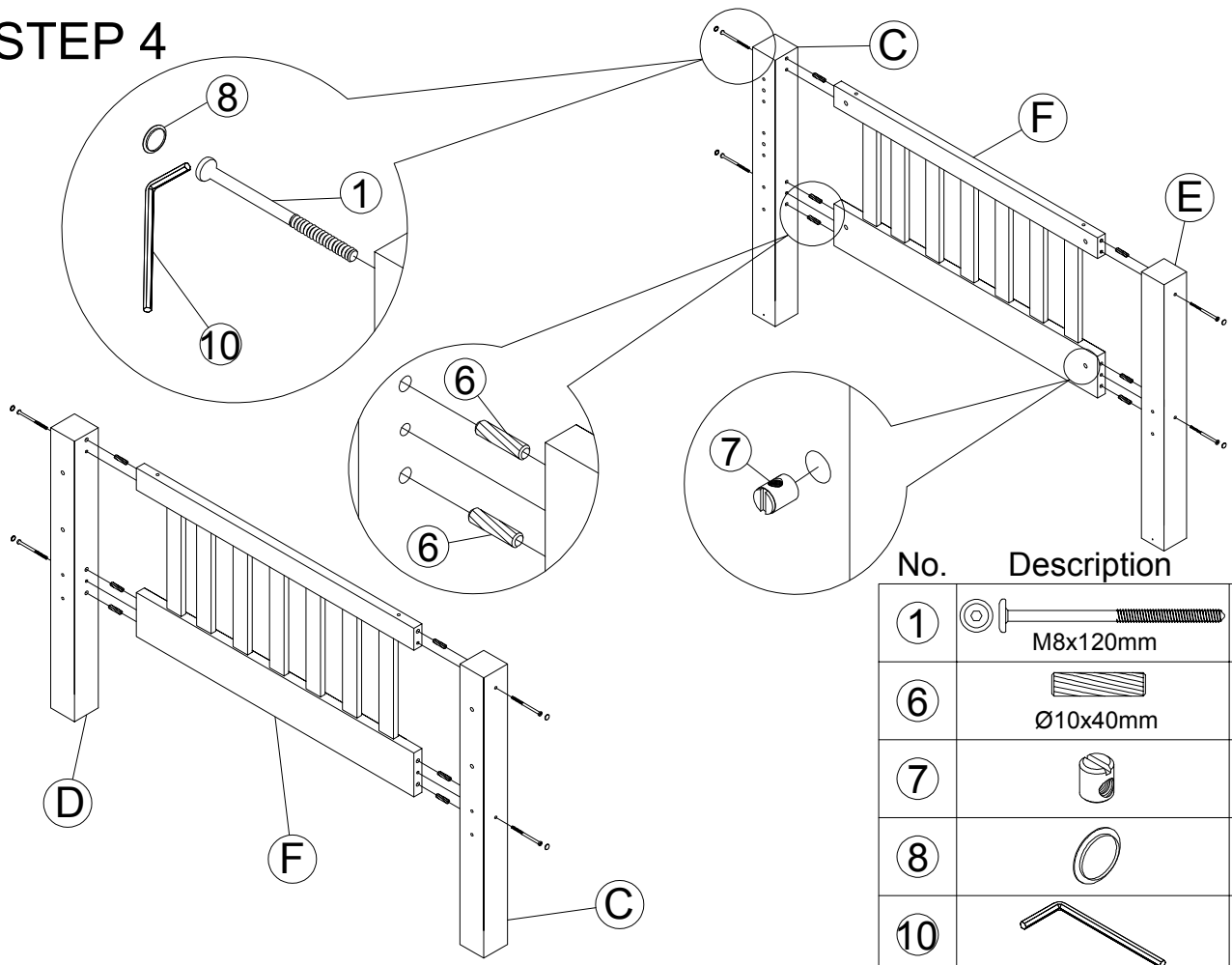
No.	Description	Q.ty
①	 M8x120mm	8
⑦		8
⑧		8
⑩		1


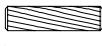


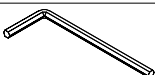
### STEP 3



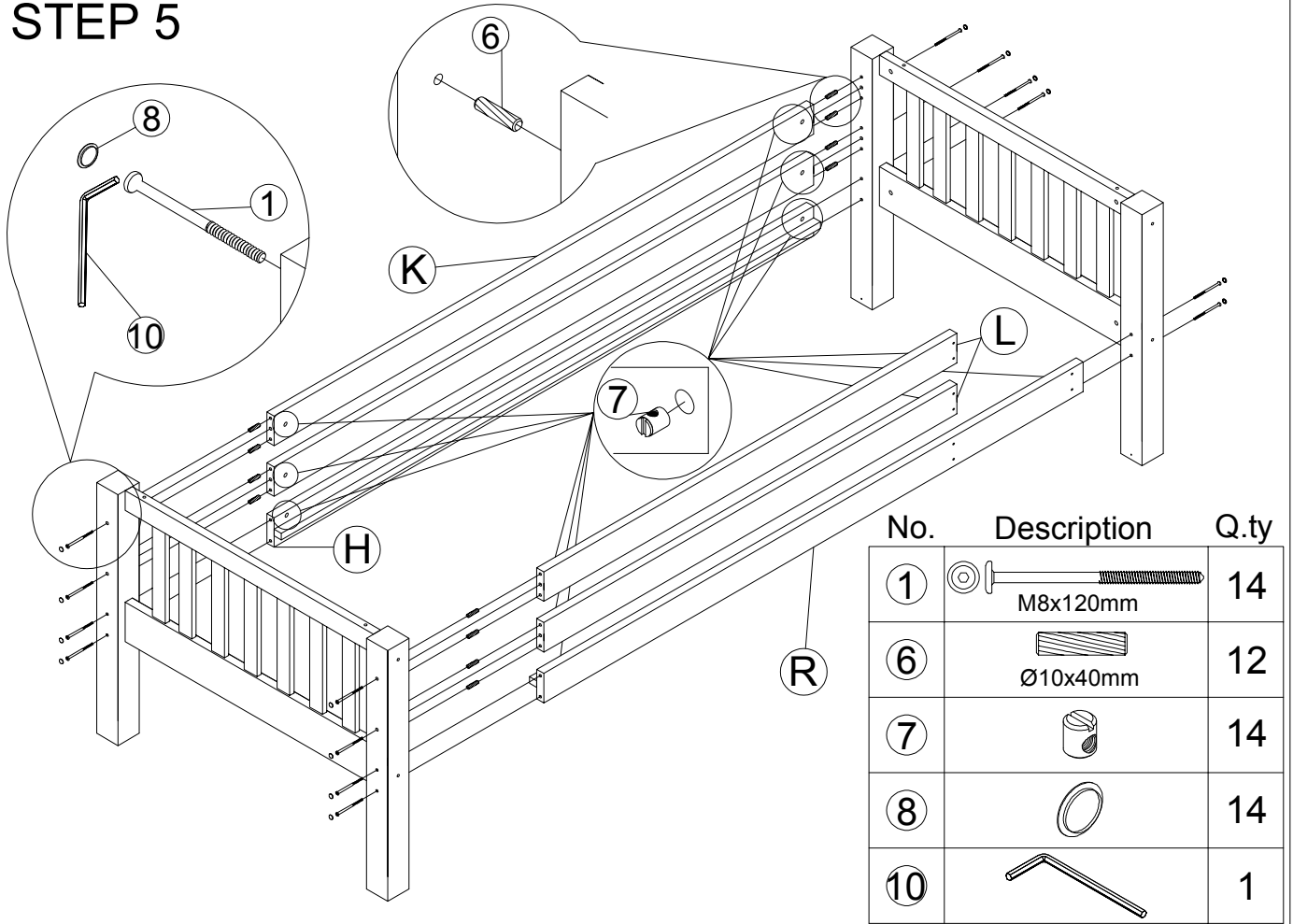
No.	Description	Q.ty
2	 M8x70mm	4
10		1

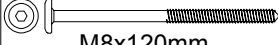



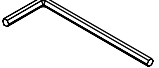
### STEP 4



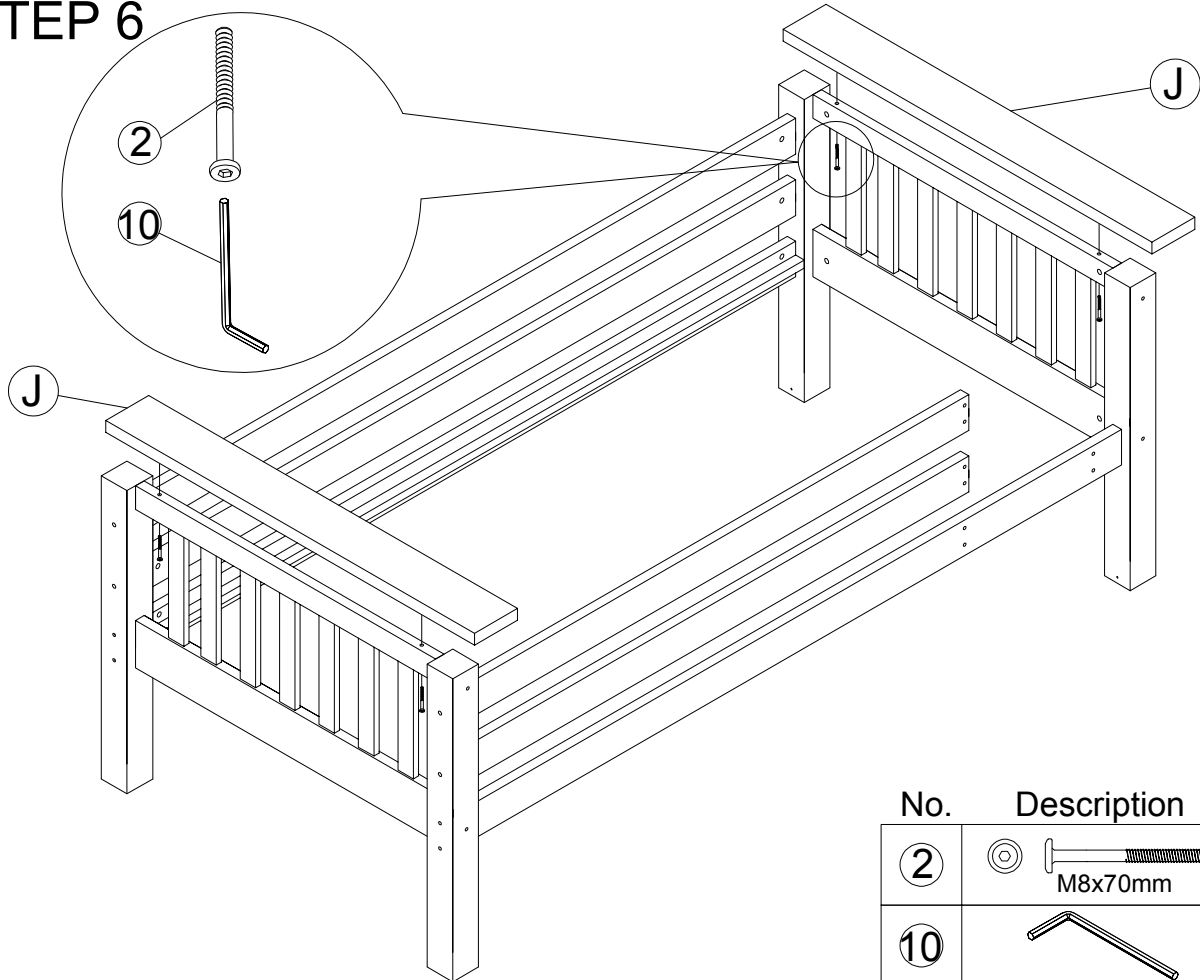
No.	Description	Q.ty
1	 M8x120mm	8
6	 Ø10x40mm	12
7		8
8		8
10		1

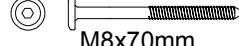
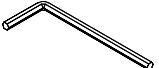
# STEP 5



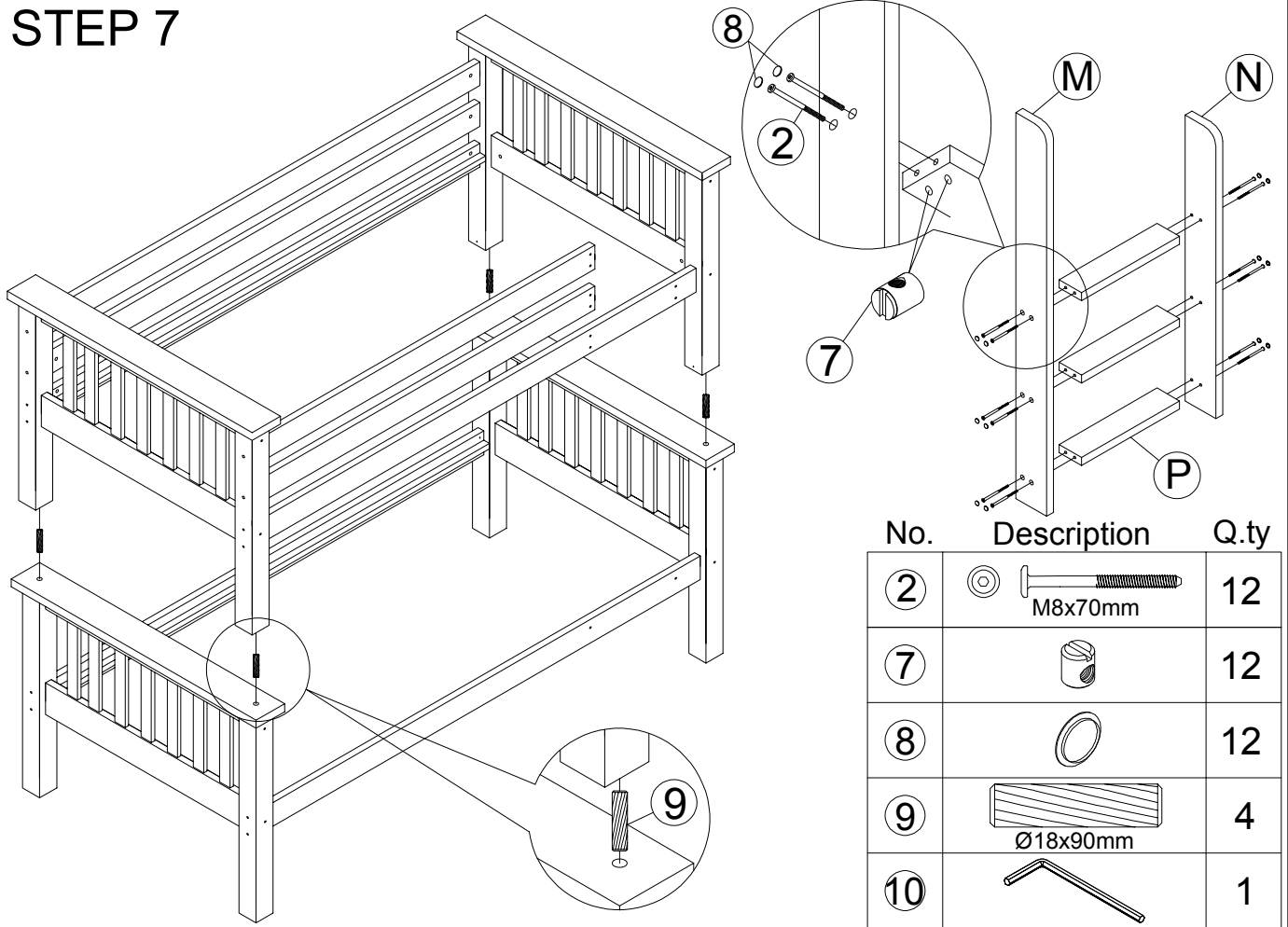
No.	Description	Q.ty
1	 M8x120mm	14
6	 Ø10x40mm	12
7		14
8		14
10		1




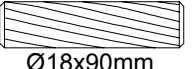
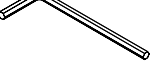
# STEP 6



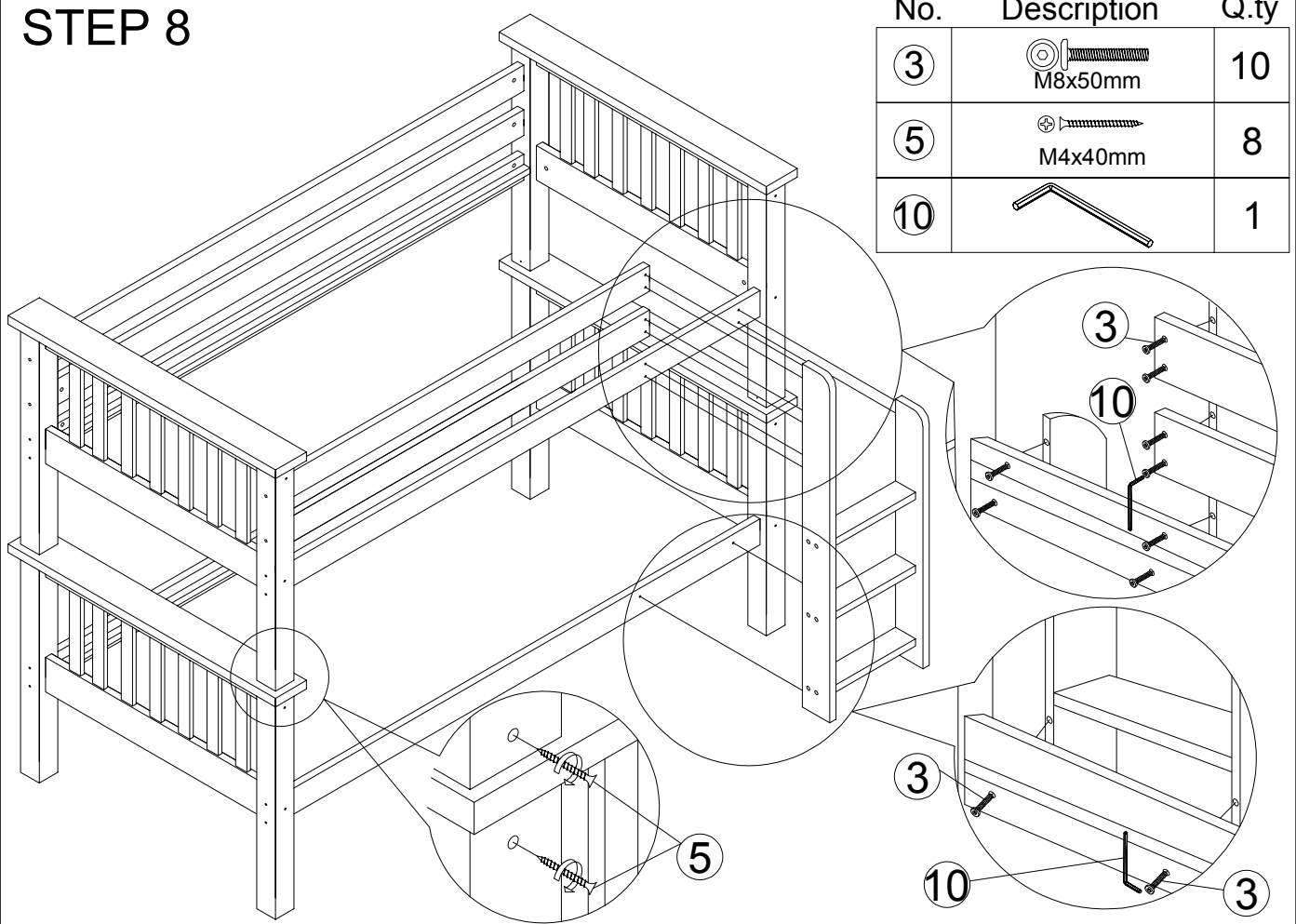
No.	Description	Q.ty
2	 M8x70mm	4
10		1



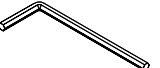
# STEP 7



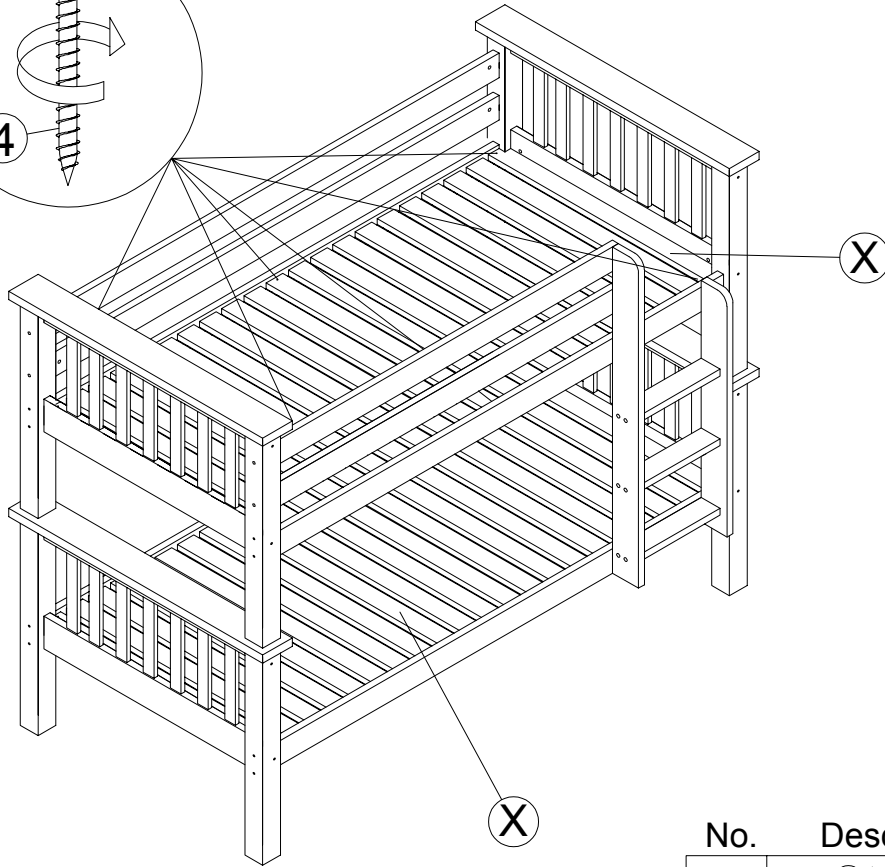
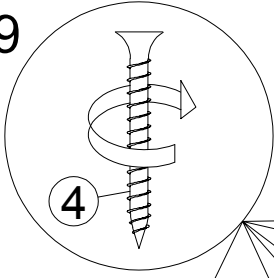
No.	Description	Q.ty
2	 M8x70mm	12
7		12
8		12
9	 Ø18x90mm	4
10		1

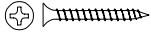
# STEP 8



No.	Description	Q.ty
3	 M8x50mm	10
5	 M4x40mm	8
10		1

# STEP 9



No.	Description	Q.ty
4	 M4x30mm	12

