

Selkirk 4'6 Gas Lift Ottoman Bed

Assembly Instructions - Please keep for future reference



Selkirk 4'6 Gas Lift Ottoman Bed

Assembly Instructions - Please keep for future reference

Safety and Care Advice

- Important: Please read these instructions fully before starting assembly.
- Do not discard any of the packaging until you have checked that you have all the parts and the pack of fittings.
- Assemble this product on a flat and protected surface.
- At least 2 people are required to assemble this product.
- Assemble this product in the room intended for use.

Warnings:

- This product should only be used on firm, level ground.

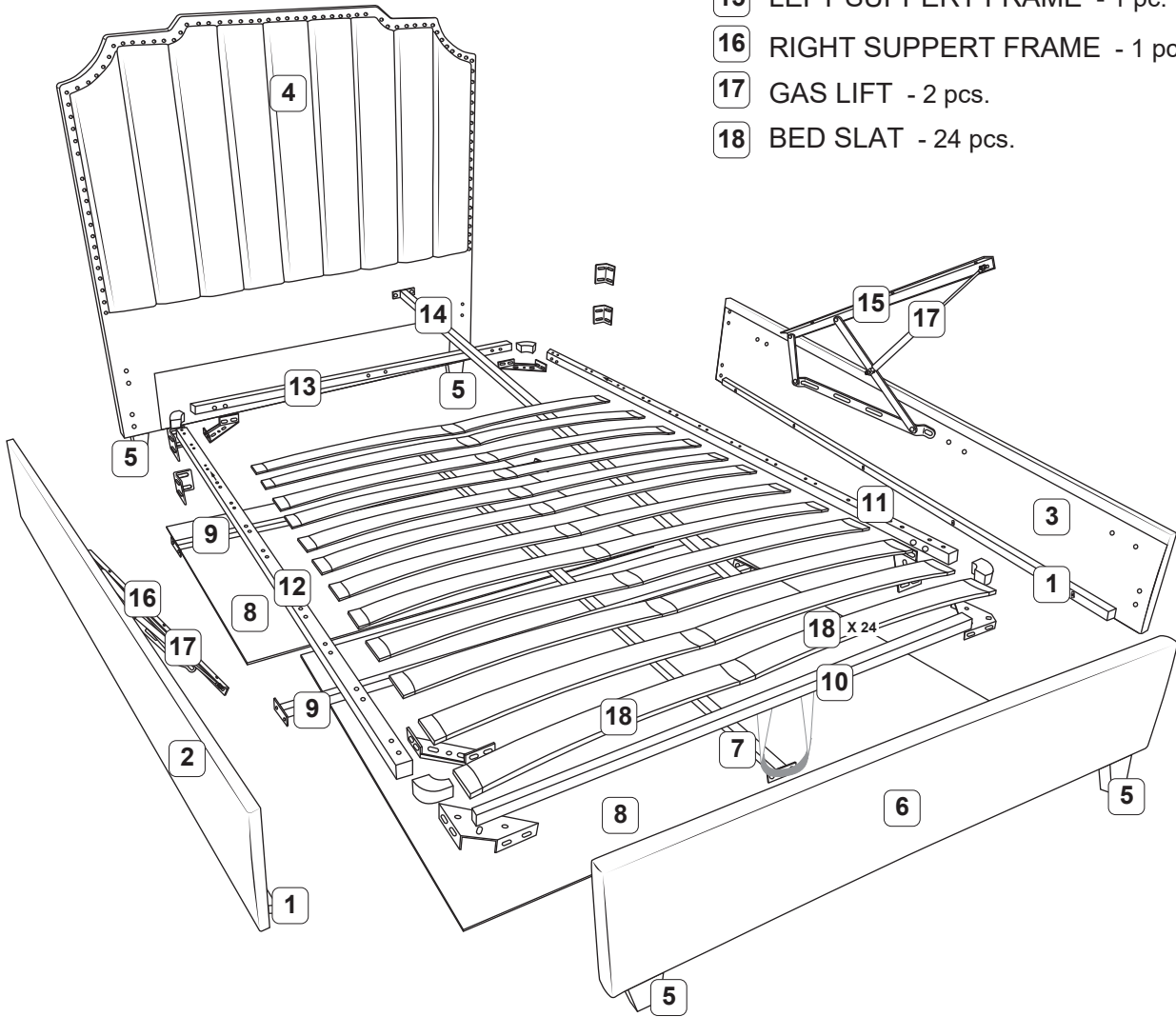
- Make sure the legs remain in contact with the ground.
- Do not stand on the product.

Care and maintenance:

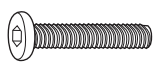
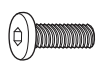
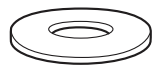
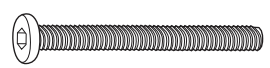



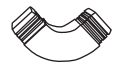
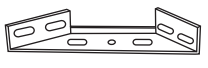




- Please clean the product using either damp (not wet) cloth and a mild domestic soap solution or by using an appropriate polish.
- Do not use abrasive materials when cleaning.
- From time to time, check that parts connections are tight and in place.

Parts List

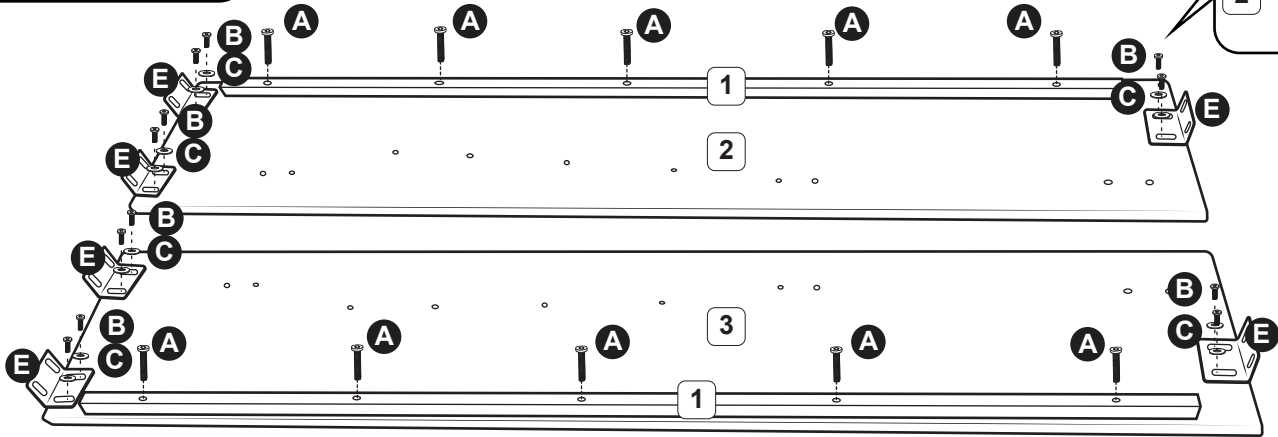
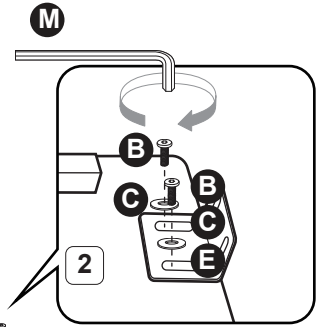
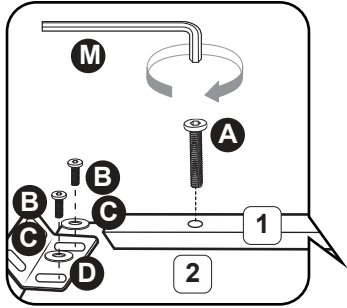
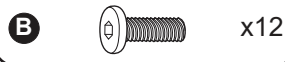
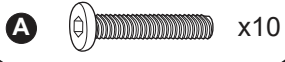
- | | | |
|----------------------------------|--------------------------------|--|
| 1 CENTER SUPPORT - 2 pcs. | 5 LEG - 4 pcs. | 10 MATTRESS FRAME FRONT - 1 pc. |
| 2 RIGHT SIDE RAIL - 1 pc. | 6 FOOTBOARD - 1 pc. | 11 LEFT MATTRESS FRAME SIDE RAIL - 1 pc. |
| 3 LEFT SIDE RAIL - 1 pc. | 7 BOTTOM RAIL - 1 pc. | 12 RIGHT MATTRESS FRAME SIDE RAIL - 1 pc. |
| 4 HEADBOARD - 1 pc. | 8 CHASSIS BASE - 2 pcs. | 13 MATTRESS FRAME BACK RAIL - 1 pc. |
| | 9 SUPPORT RAIL - 2 pcs. | 14 MATTRESS FRAME MIDDLE RAIL - 1 pc. |
| | | 15 LEFT SUPPORT FRAME - 1 pc. |
| | | 16 RIGHT SUPPORT FRAME - 1 pc. |
| | | 17 GAS LIFT - 2 pcs. |
| | | 18 BED SLAT - 24 pcs. |



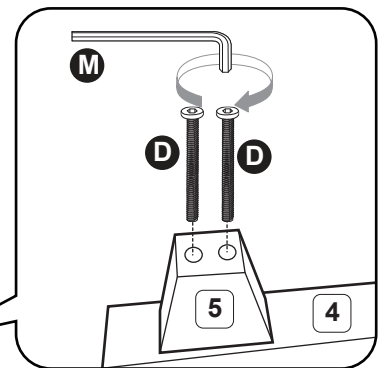
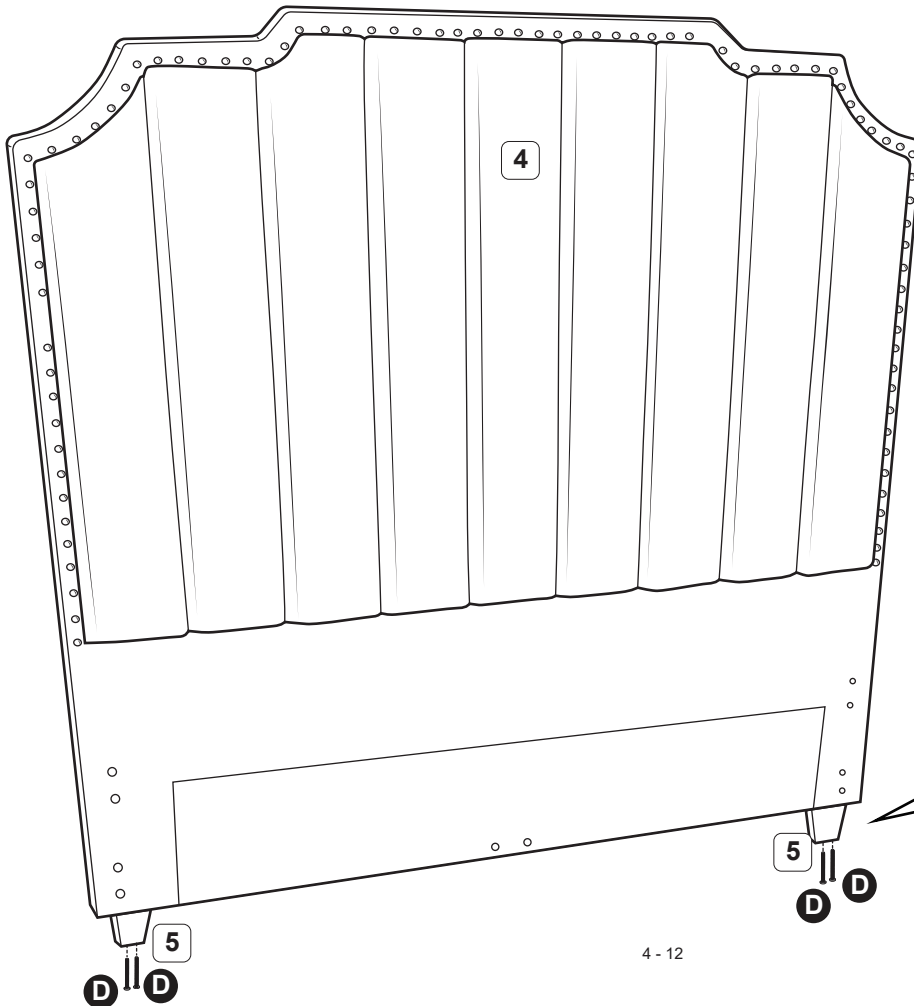
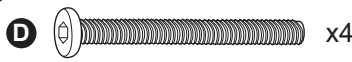
Fittings List

A  Bolt M8x45 - 10 pcs.	B  Bolt M8x20 - 80 pcs.	C  Flat washer - 24 pcs.	D  Bolt M8x65 - 8 pcs.
E  Iron sheet A - 6 pcs.	F  Iron sheet B - 1 pc.	G  Iron sheet C - 2 pcs.	H  Plastic A - 4 pcs.
I  Iron sheet D - 4 pcs.	J  spanner - 1 pc.	K  Plastic B - 12 pcs.	L  Plastic C - 24 pcs.
M  Allen key - 1 pc.			

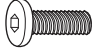
Step 1

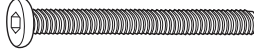


Step 2



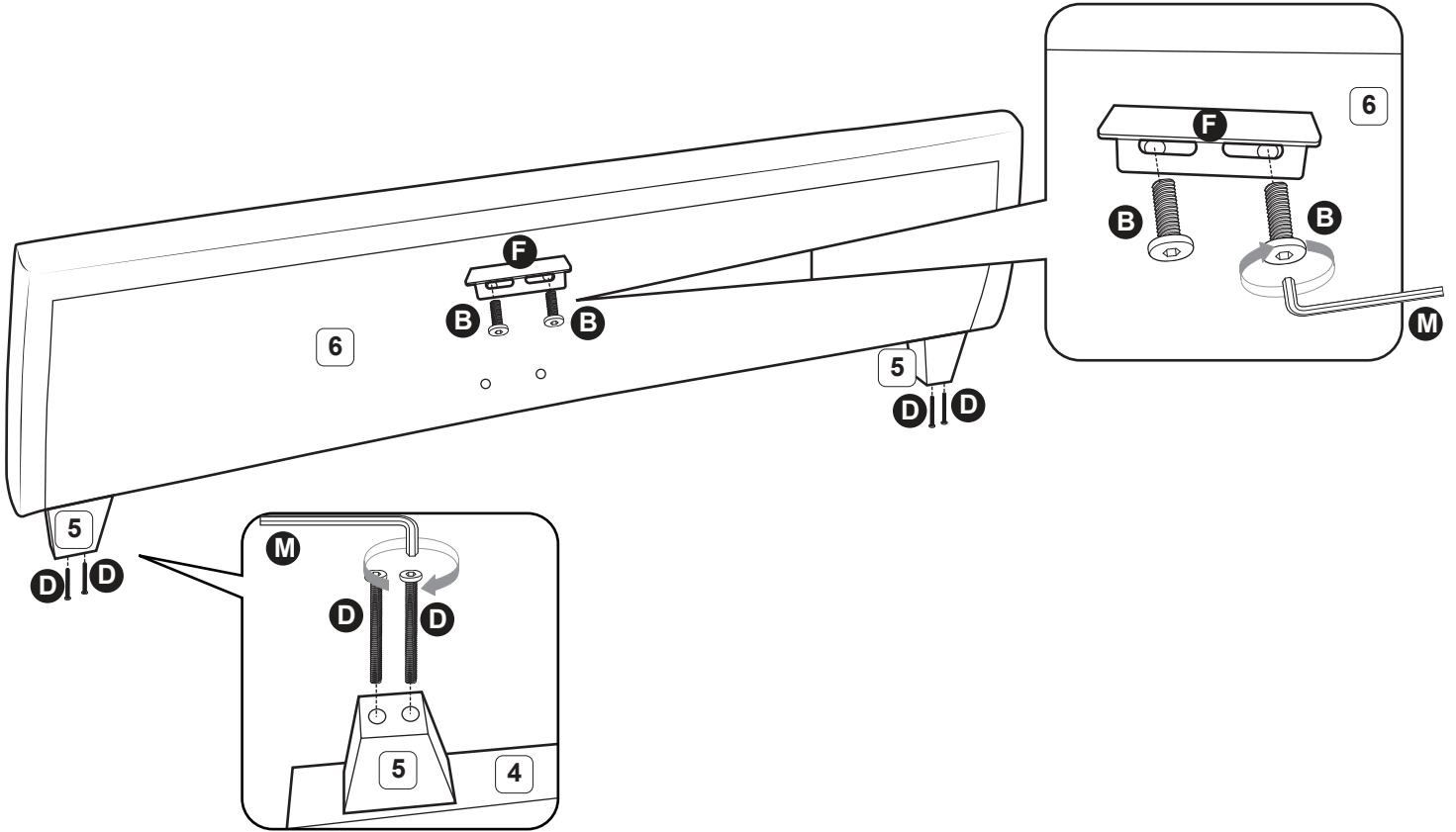
Step 3

B  x2

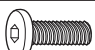
D  x4

F  x1


M  x1

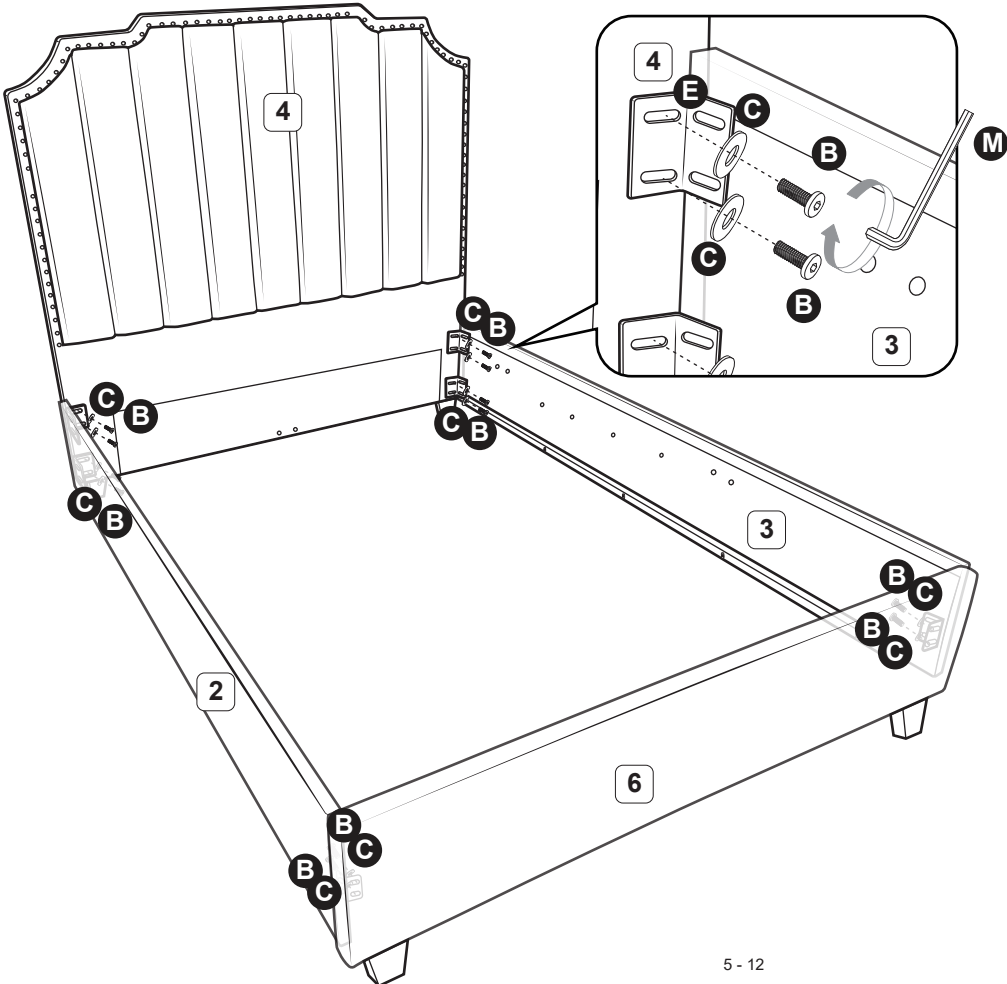


Step 4

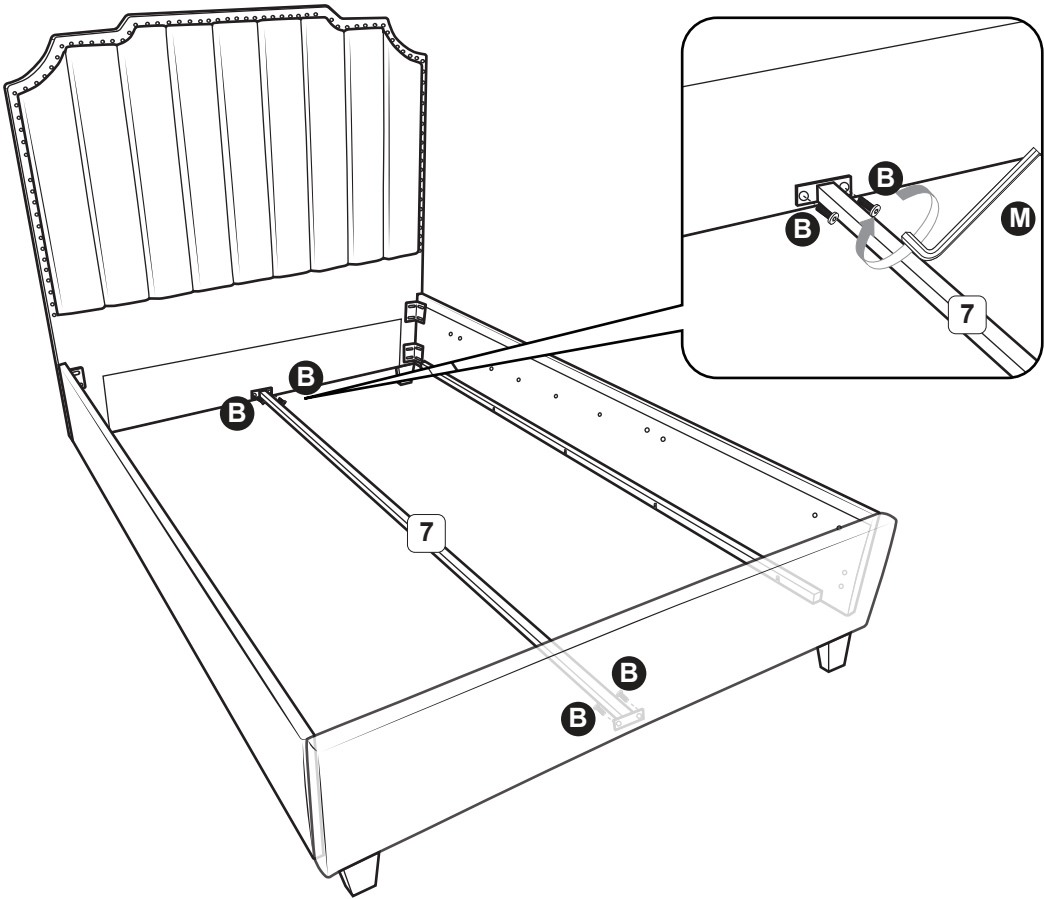
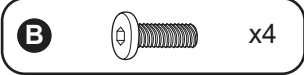
B  x12

C  x12

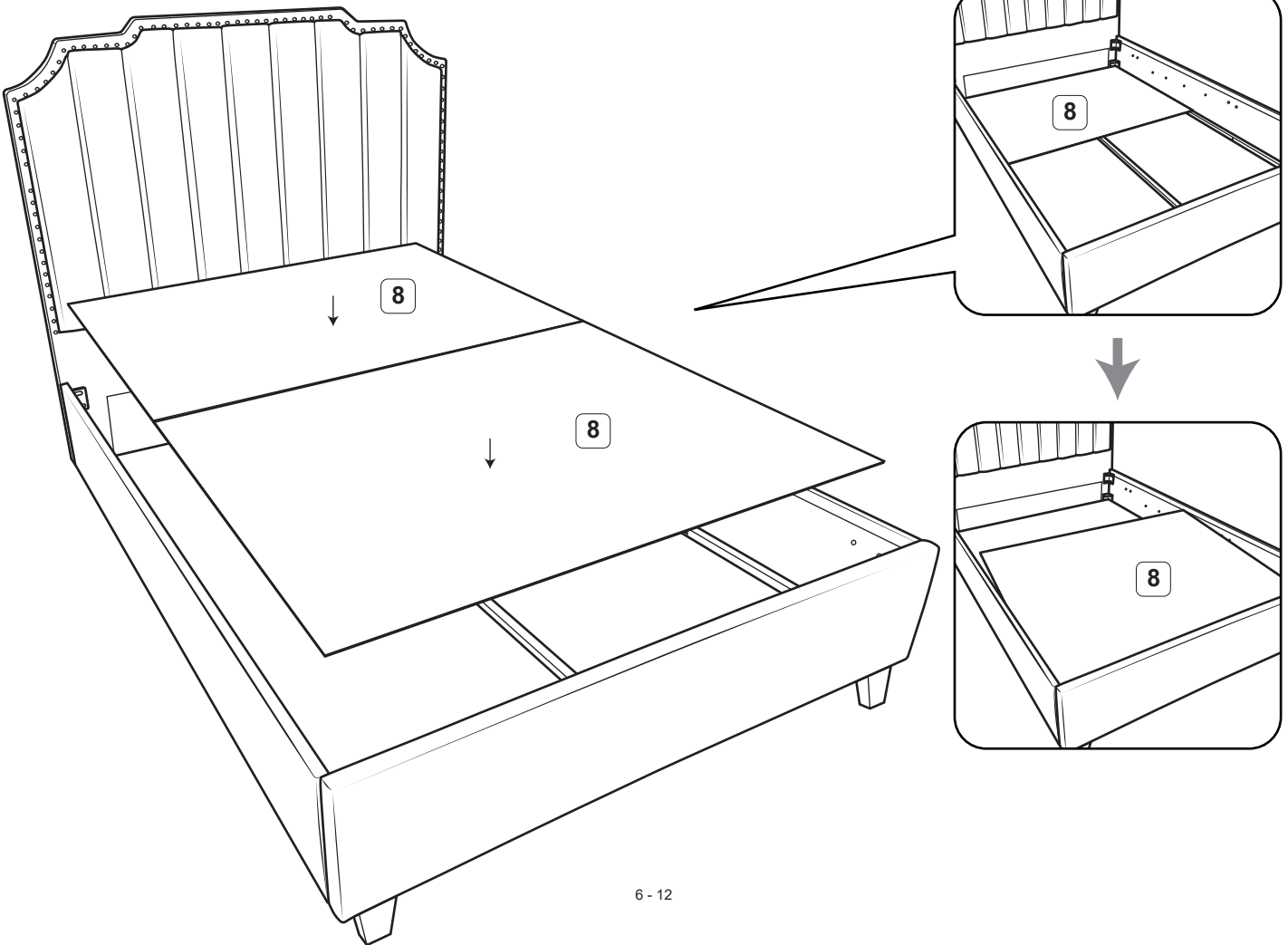
M  x1



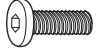
Step 5



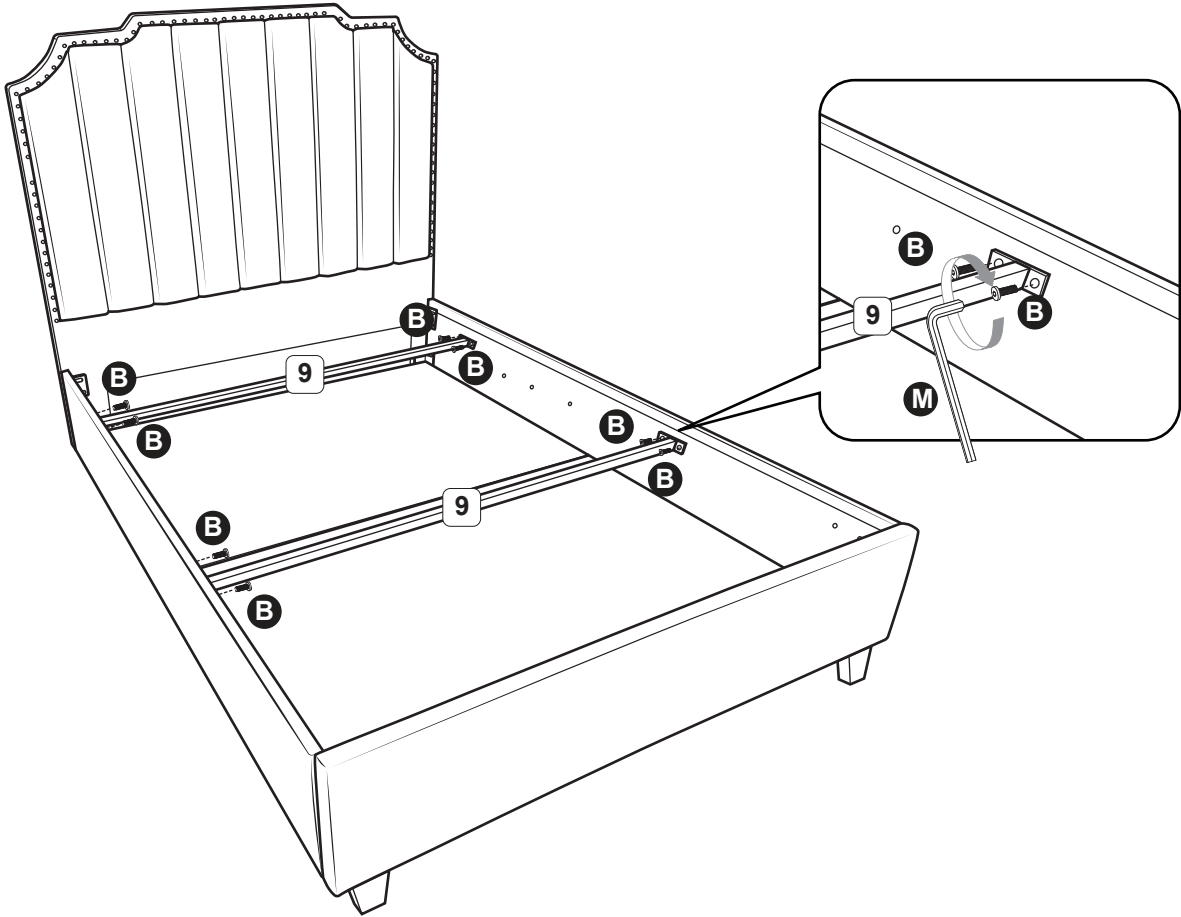
Step 6



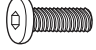
Step 7


B  x8


M  x1

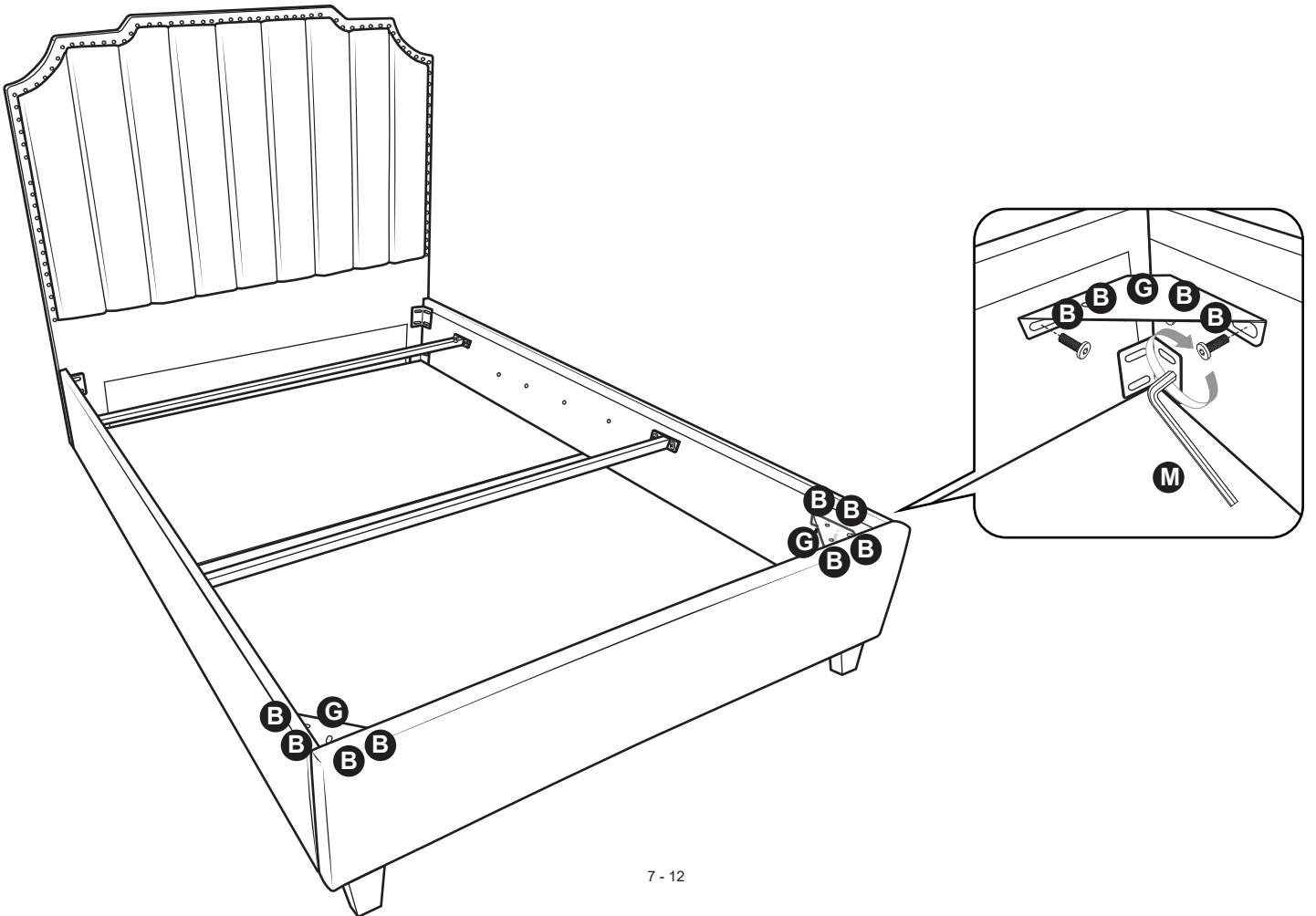


Step 8

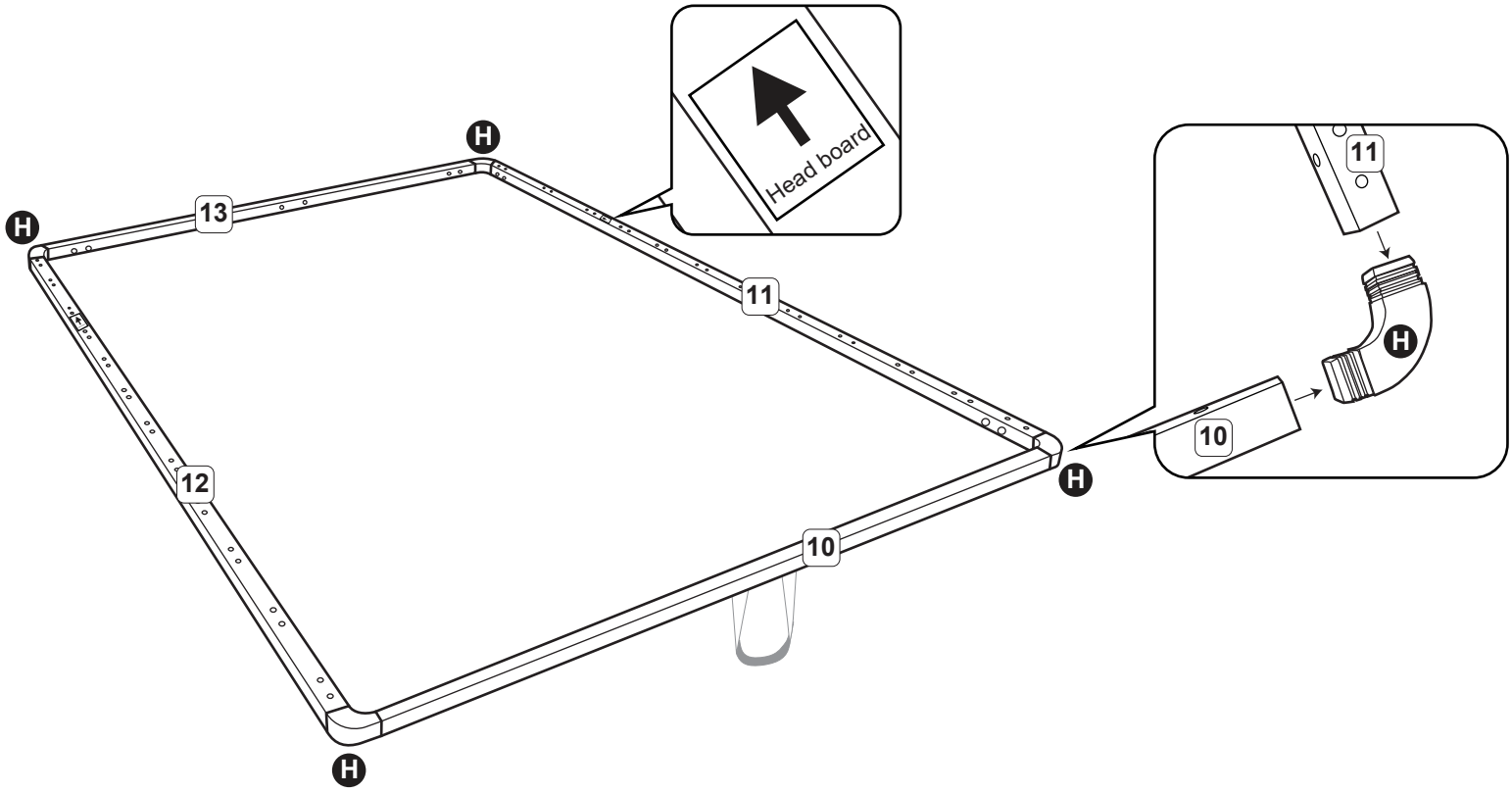
B  x8

G  x2

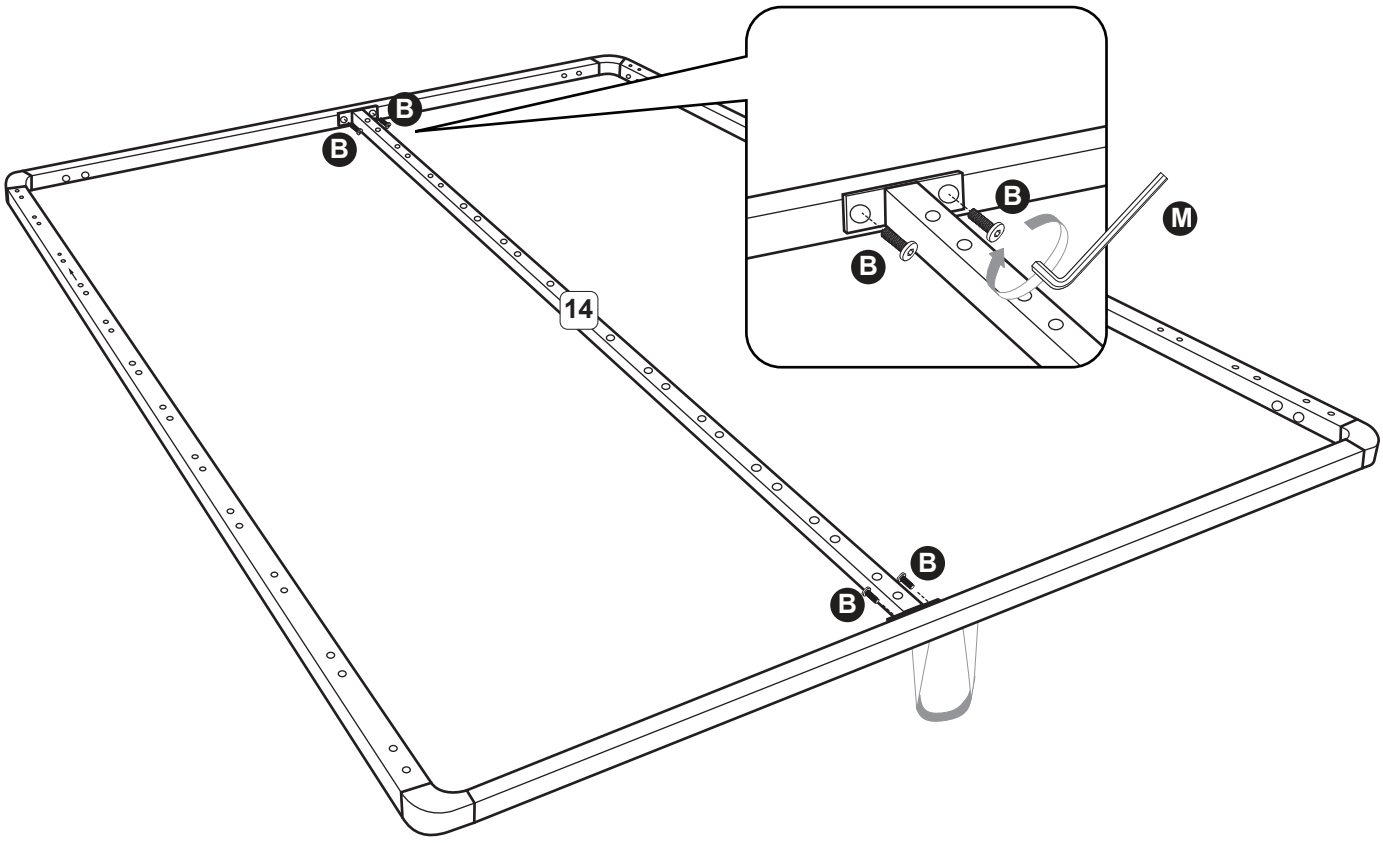
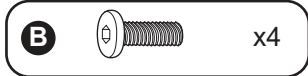
M  x1



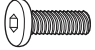
Step 9

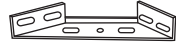


Step 10

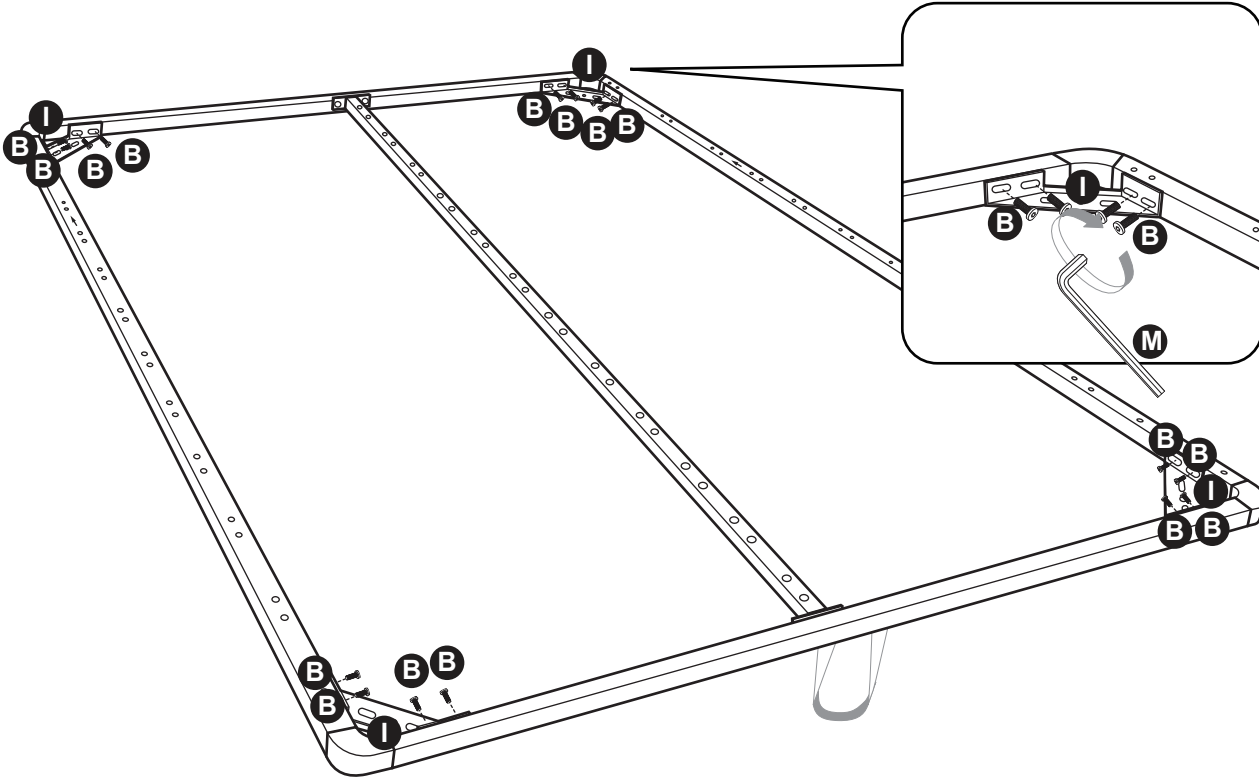


Step 11

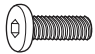
B  x16

I  x4

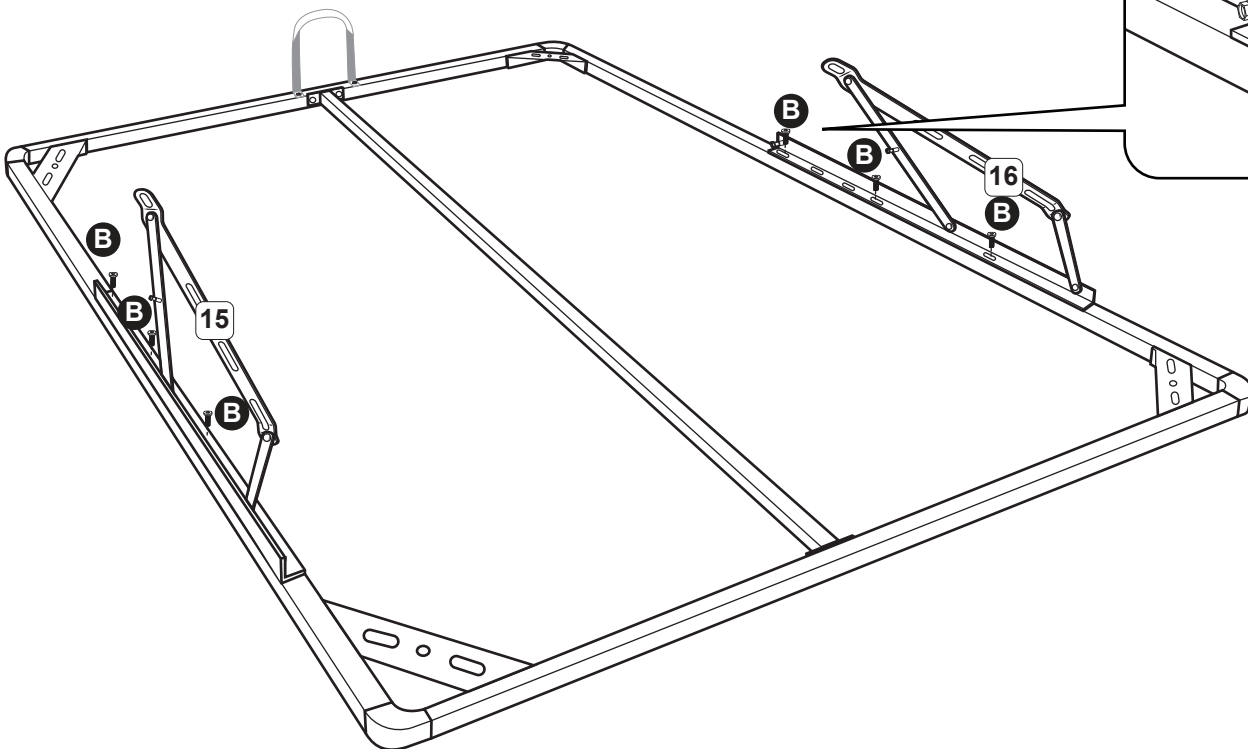
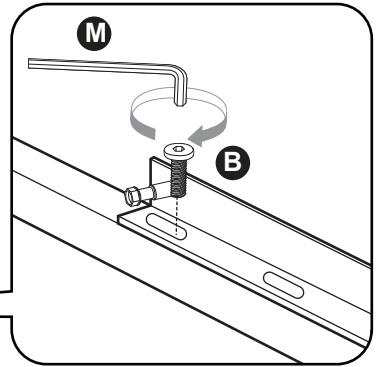
M  x1



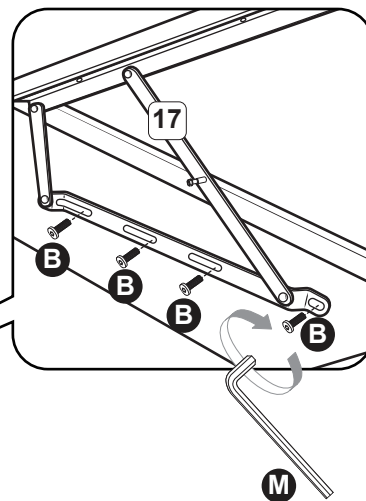
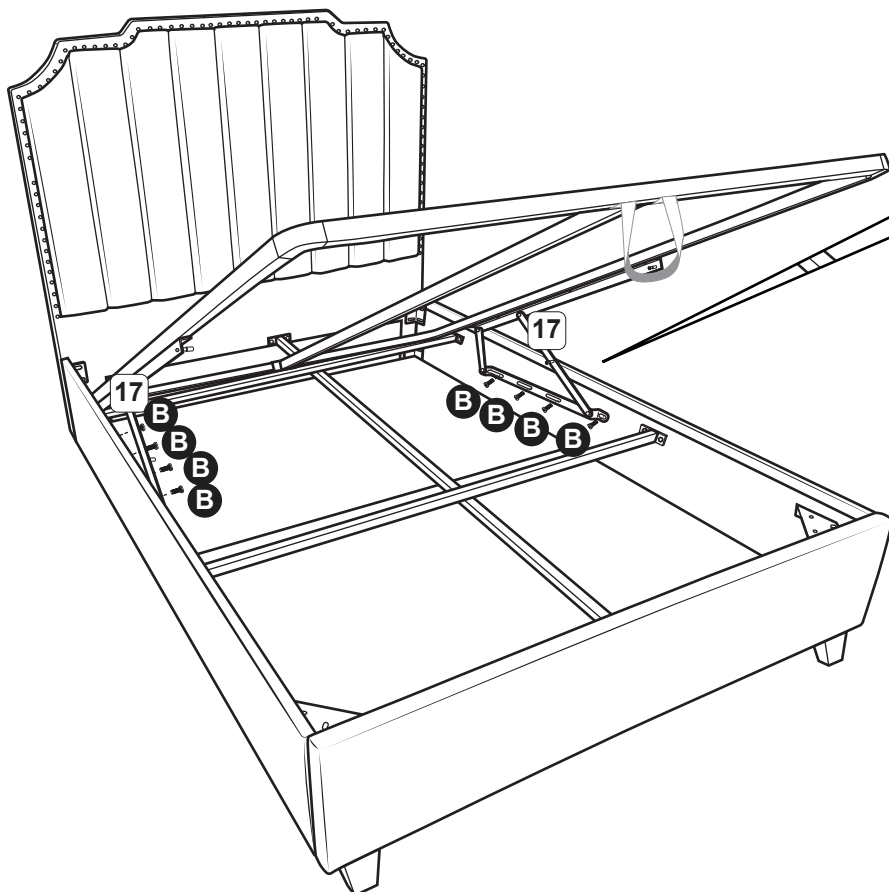
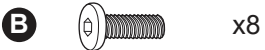
Step 12

B  x6

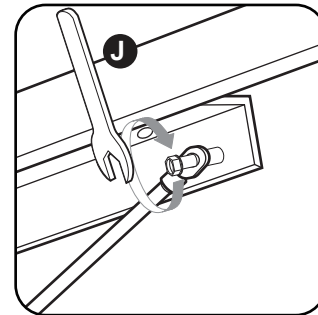
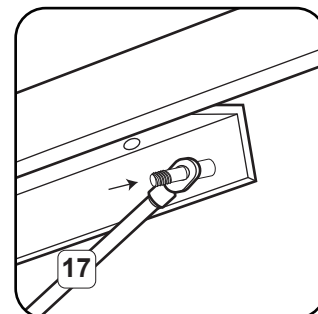
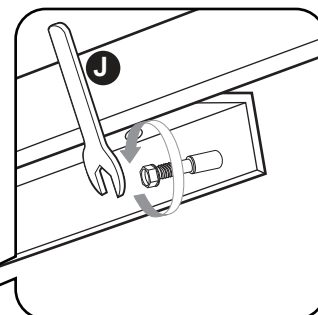
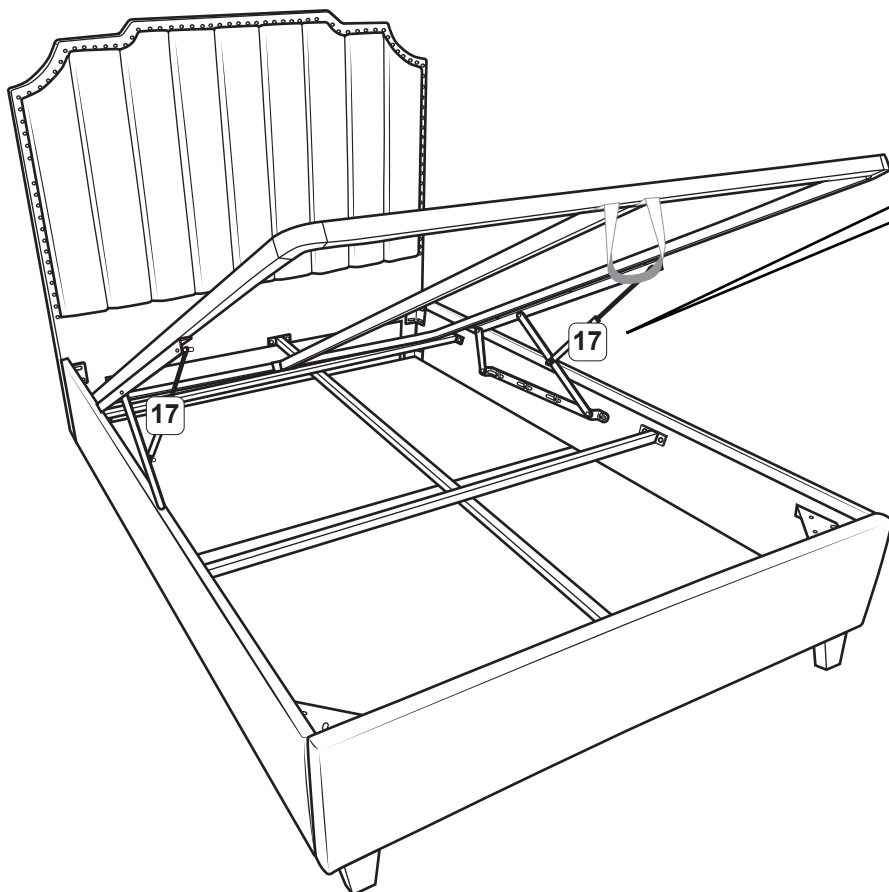
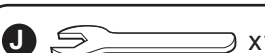
M  x1



Step 13



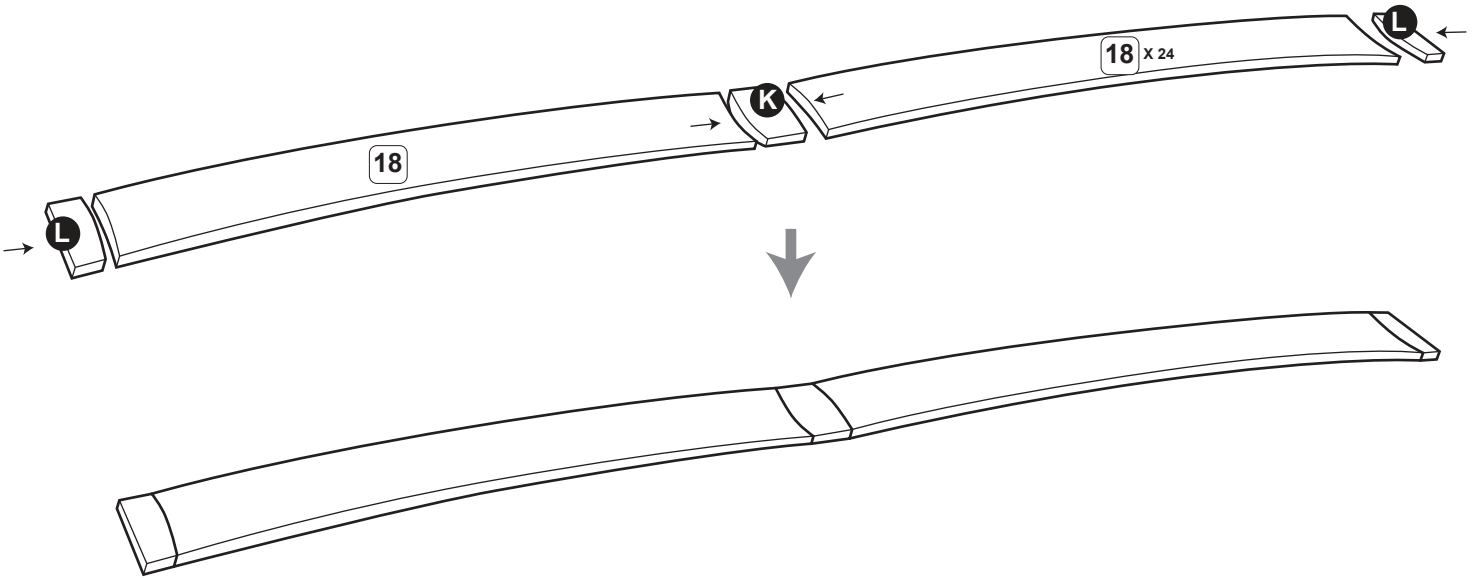
Step 14



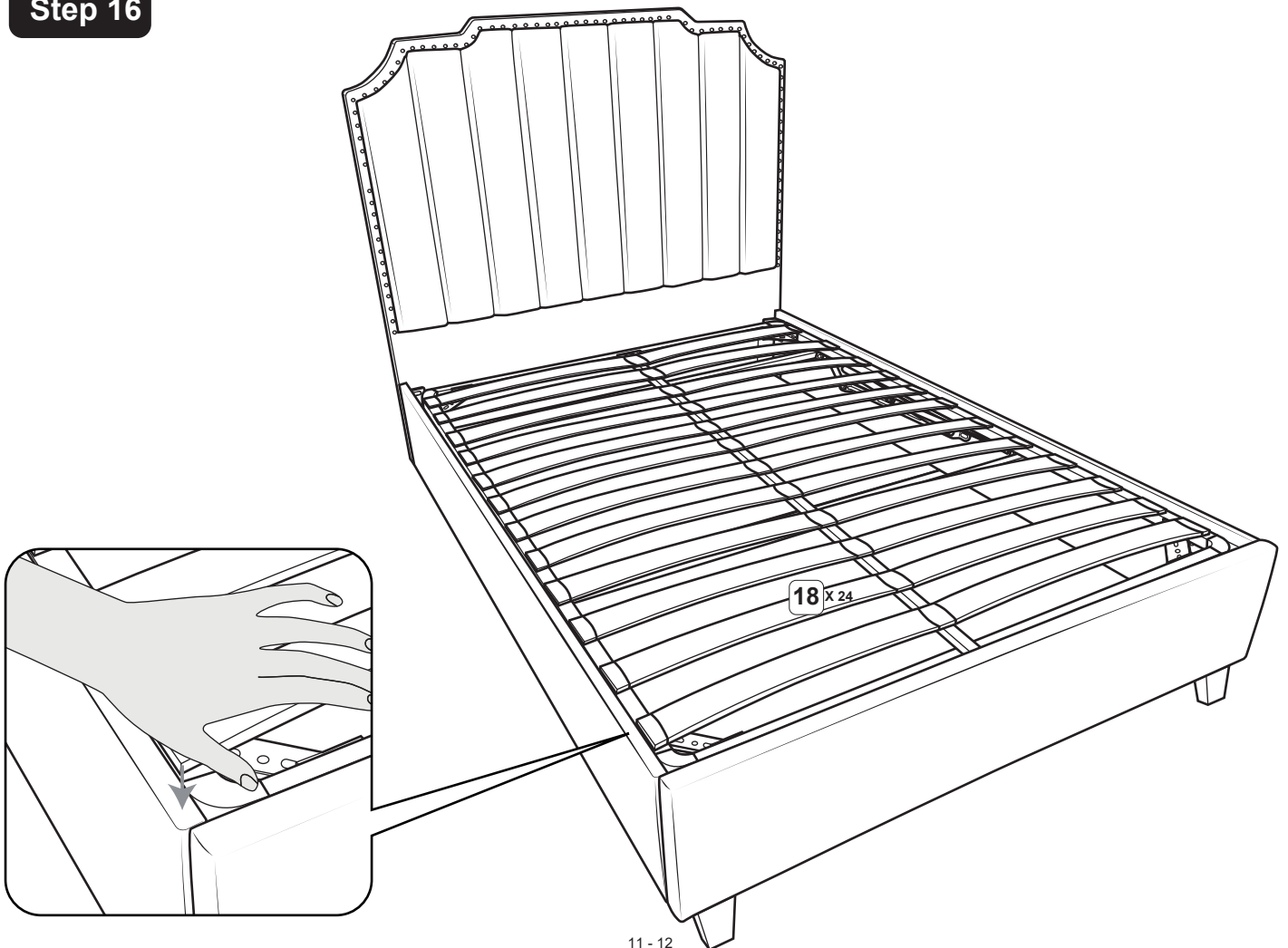
Step 15



X 12



Step 16



WARNINGS:

IMPORTANT: READ CAREFULLY

RETAIN FOR FUTURE REFERENCE

- Always follow the manufacturer's instructions.
- The recommended size of the mattress is L1900 x W1370mm.
- Ventilation of the room is necessary in order to keep the humidity low and to prevent mould in and around the bed.
- Assembly instructions including a list of the parts supplied and details of any tools required to assemble the bed are included in the pack.
- Check regularly that all assembly fastenings are properly tightened.
- Cleaning and maintenance recommendations.
- A recommendation that any additional or replacement parts are obtained from the manufacturer or distributor.

PLEASE NOTE: If your bed legs are placed onto a wooden floor, or any type of flooring that is deemed as 'slippery', it is your responsibility to ensure that the protective rubber or plastic on the base of any legs associated with the bed frame have not worn away. Unless your bed frame is physically fixed to the floor in any way, it is highly likely your bed frame will move as you enter and leave your bed.

- If you find that upon checking the legs the rubber or plastic has worn away, you should ensure that some kind of floor protection is placed underneath the legs, such as adhesive floor pads. We highly recommend using floor protection pads with a high adhesion level.